

4

3

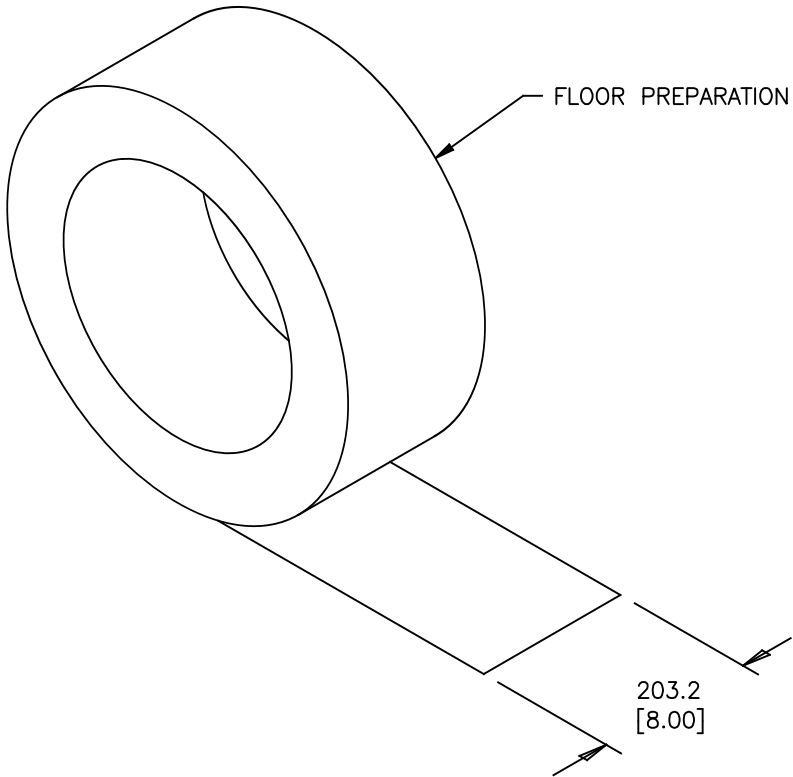
2

1

THIS DRAWING IS UNPUBLISHED. RELEASED FOR PUBLICATION

© 2016 Connscope, INC. Confidential NOTICE: These drawings and specifications are the proprietary property of COMMSCOPE, INC. and may be used only for the specific purpose authorized in writing by COMMSCOPE, INC.

LOC	DIST	REVISIONS					
		P	LTR	DESCRIPTION	DATE	DWN	APVD
HM	00		B	REV ECO-08-016211	22JUL08	LH	SJ
			C	REV PER BNS_CD_BRAND	16JAN17	GG	DC



1. ALL DIMENSIONS SHOWN ARE FOR REFERENCE ONLY UNLESS OTHERWISE SPECIFIED.
2. MATERIAL: POLYVINYL CHLORIDE SHEET, YELLOW, .010 THICK.
3. APPLICATION: PROVIDES A SMOOTH, EVEN SURFACE FOR UNDERCARPET POWER CABLE (TYPE FCC) INSTALLATION. REQUIRED FOR SLAB-ON-GRADE INSTALLATIONS. REFER TO INSTRUCTION SHEET 408-3154 FOR ADDITIONAL INSTALLATION INFORMATION.

30.5 [100]	554123-4
15.2 [50]	554123-3
76.2 [250]	554123-1
LENGTH M [FT]	PART NO.

THIS DRAWING IS A CONTROLLED DOCUMENT.		DWN	L. HALL	22JUL2008	COMMSCOPE, INC.															
DIMENSIONS:		CHK	S. JONES	22JUL2008																
mm [INCHES]		APVD	S. JONES	22JUL2008				NAME		PREPARATION, FLOOR, UC										
TOLERANCES UNLESS OTHERWISE SPECIFIED:		PRODUCT SPEC		APPLICATION SPEC				RESTRICTED TO	-											
<table border="0"> <tr><td>0 PLC</td><td>± -</td></tr> <tr><td>1 PLC</td><td>± -</td></tr> <tr><td>2 PLC</td><td>± -</td></tr> <tr><td>3 PLC</td><td>± -</td></tr> <tr><td>4 PLC</td><td>± -</td></tr> <tr><td>ANGLES</td><td>± -</td></tr> </table>		0 PLC	± -	1 PLC	± -	2 PLC	± -	3 PLC	± -	4 PLC	± -	ANGLES	± -	WEIGHT		SIZE		CAGE CODE	DRAWING NO	RESTRICTED TO
0 PLC	± -																			
1 PLC	± -																			
2 PLC	± -																			
3 PLC	± -																			
4 PLC	± -																			
ANGLES	± -																			
MATERIAL		-		A3		-	©=554123	-												
		FINISH		-		CUSTOMER DRAWING		SCALE	NTS	SHEET	1 of 1	REV	C							