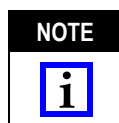


Figure 1

1. INTRODUCTION

This instruction sheet provides the assembly procedure for ACO Dual-Port Installation Kits 1479306-1 (low profile) and 1479307-1 (standard profile).

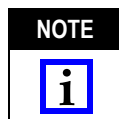


Dimensions in this instruction sheet are in metric units [with U.S. customary units in brackets]. Figures are not drawn to scale.

Reasons for reissue of this instruction sheet are provided in Section 7, REVISION SUMMARY.

2. DESCRIPTION

Each ACO kit consists of a dual-port housing with a dust cover and mounting screws and two 110Connect card edge connectors each with a cover and mounting screw.



The kit is supplied with the 110Connect card edge connectors installed in the dual-port housing. The housing functions as a secure holding fixture while terminating the connectors.

The card edge connectors are designed to be terminated with solid 100-ohm unshielded twisted pair (UTP) or shielded twisted pair (STP) wire sizes 22 through 24 AWG having a maximum outside insulation diameter of 1.40 mm [.055 in.].

3. ASSEMBLY PROCEDURE

1. Dress the cable as shown in Figure 2.

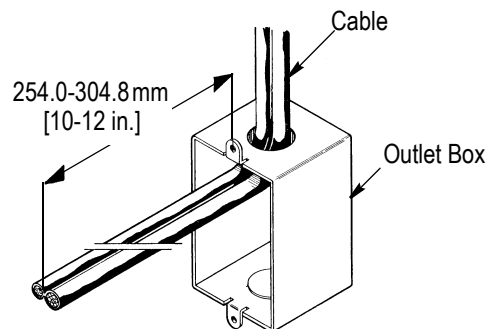
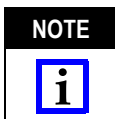


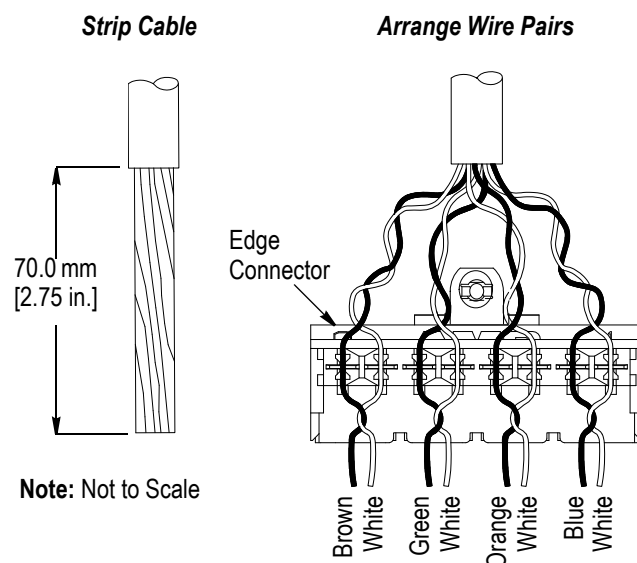
Figure 2

2. Terminate the cable as follows:
 - a. Remove the cable jacket to the dimension given in Figure 3.
 - b. Using the color-coded configuration given in Figure 3, arrange the wire pairs accordingly. Lacing the center wire pairs first will help with proper wire dress.



It is recommended to maintain the wire pair twists to within 6.4 mm [.25 in.] of the termination point..

- c. Terminate the wire conductors to the edge connector using Impact Tool 1583608-1, 1583608-2, or 1375308-1. See Figure 4.



Note: Not to Scale

Figure 3

NOTE



It is recommended to use the low impact setting of the tool. Use the cutoff blade to trim the conductors. Wire should be in the bottom of the slot; if not, punch it down again. Remove loose wire pieces. Refer to Figure 4.

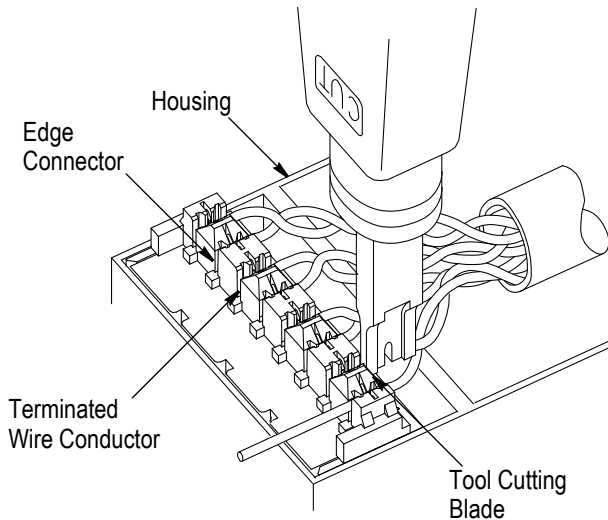


Figure 4

3. Mate the cover with the edge connector as shown in Figure 5. Make sure the latches of the cover enter into all of the pins of the edge connector. Listen for a double click, which indicates correct connection.

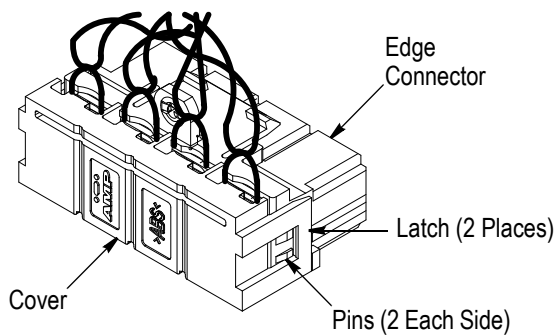


Figure 5

4. INSTALLATION OF MODULE INSERTS AND FACEPLATE

1. Refer to Figure 6, and install module inserts as follows:

- a. Remove the dust cover from the housing.
- b. Align the latches of the module insert with the tabs on the edge of the applicable port of the housing, and push the module insert into the port. If a port is not used, install a blank module insert into the port.

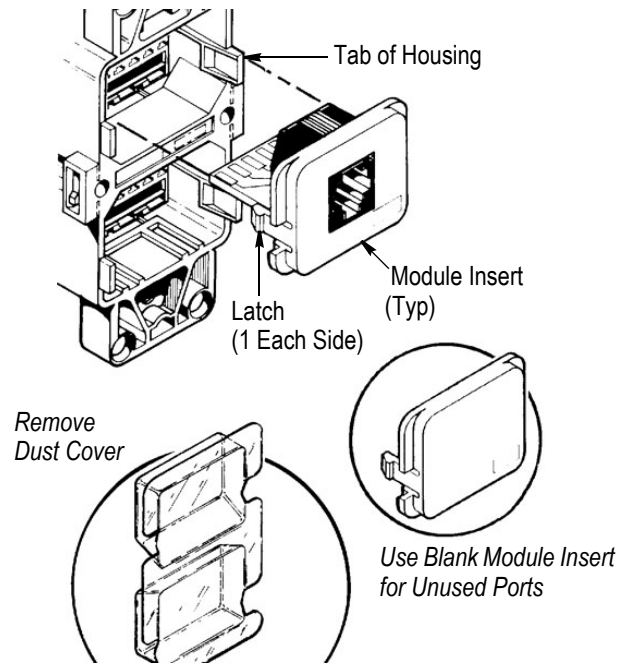


Figure 6

DANGER



To avoid possibility of personal injury, install blank module inserts onto all ports not being used.

2. Properly align the slots on the back of the faceplate with the tabs on the edge of the housing. See Figure 7.

3. Label the ports using the labels in the label holders provided on the faceplate.

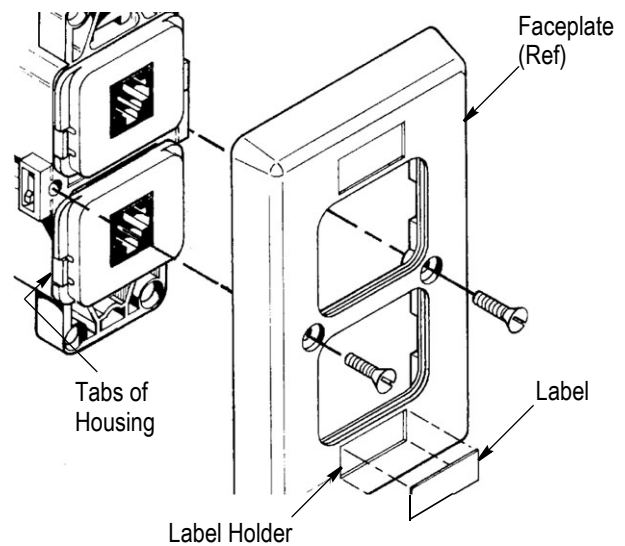


Figure 7

5. REMOVAL

5.1. Module Insert

1. Remove the faceplate from the housing.
2. Insert the blade of a small screwdriver into the gap on the side of the module insert (between the module insert and the tab on the edge of the housing) to disengage latch. As each latch is disengaged, rock the module insert to release that side. Refer to Figure 8.
3. Repeat Step 2 on the other side of the housing; then pull the module insert out.



Do NOT try to pry module insert out of the housing.

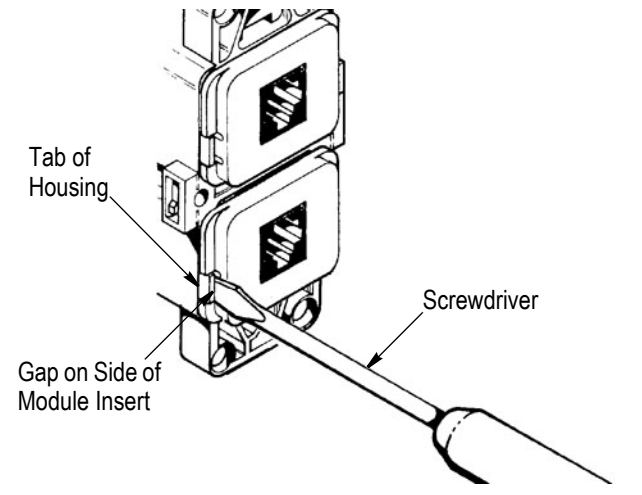


Figure 8

5.2. Replacing Card Edge Connector

1. Removed the screw securing the card edge connector, then remove the card edge connector.
2. Insert a new card edge connector into the back of the housing until the latch is secure, then install the screw. Refer to Figure 9.

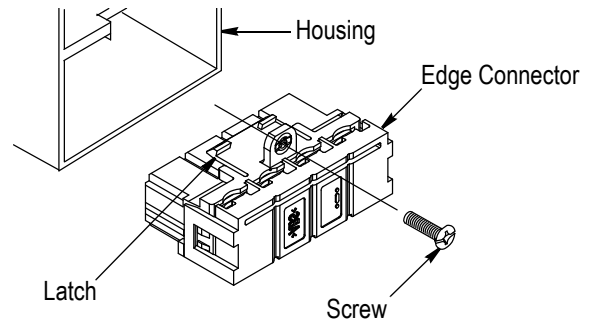


Figure 9

6. REPLACEMENT AND REPAIR

Components of the ACO kit are not repairable. DO NOT re-use edge connectors by removing the wires. DO NOT use defective or damaged components.

7. REVISION SUMMARY

Revisions to this instruction sheet include:

- Updated instruction sheet to corporate requirements
- Added part numbers to title of instruction sheet
- Added dust cover to Figure 1
- Replaced superceded tools referenced in Section 3
- Replaced NOTE with DANGER in Step 1b of Section 4
- Added Section 6
- Rebranded to CommScope