

1. INTRODUCTION (Figure 1)

This instruction sheet covers installation procedures for NETCONNECT Undercarpet Power Cabling System 5-Conductor Direct Connecting Receptacles (DCR).

NOTE For the Canadian versions: kit 554136 should be used with adapter housing assembly 553910-1, 554188-1, or 554189-1. Kit 554592 should be used with adapter housing assembly 553908-1 or 553909-1.

NOTE All dimensions on this document are in metric units [with U.S. customary units in brackets]. Figures and illustrations are for identification only and are not drawn to scale.

Reason for revision is given in Section 3, REVISION SUMMARY.

2. INSTALLATION PROCEDURES

1. Center mounting plate on chalk-line using the center indicator marks. Use mounting plate as a template to mark hole locations. Prepare area to accept customer selected mounting hardware. Vacuum debris. See Figure 2.

DCR KIT (Without Adapter Housing Assembly)	
PART NUMBER	DESCRIPTION
554186-1 (Black), -3 (Gray)	20A Version
554136-1 (Black), -3 (Gray)	15A Canadian Version
554592-1 (Black), -3 (Gray)	15A Canadian Version (Isolated Ground)

ADAPTER HOUSING ASSEMBLY		
PART NUMBER	DESCRIPTION	COLOR DOTS
553908-1	Isolated Grd-Red Phase Ckt	Red-Wht-Grn-Grn w/Yel Slash
553909-1	Isolated Grd-Blk Phase Ckt	Wht-Grn-Grn w/Yel Slash
553910-1	Standard Grd-Blk Phase Ckt	Wht-Grn
554188-1	Standard Grd-Blu Phase Ckt	Wht-Grn-Blu
554189-1	Standard Grd-Red Phase Ckt	Red-Wht-Grn

Figure 1

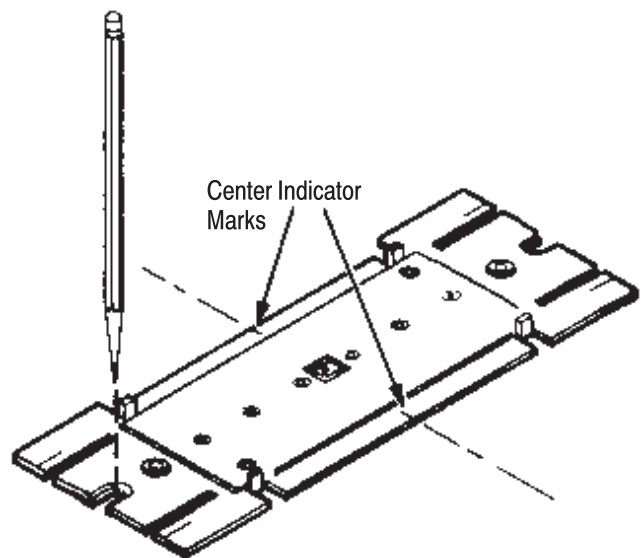


Figure 2

2. Lay cable.

CAUTION

If slab-on-grade installation, floor preparation must be installed prior to laying cable. See Figure 3.

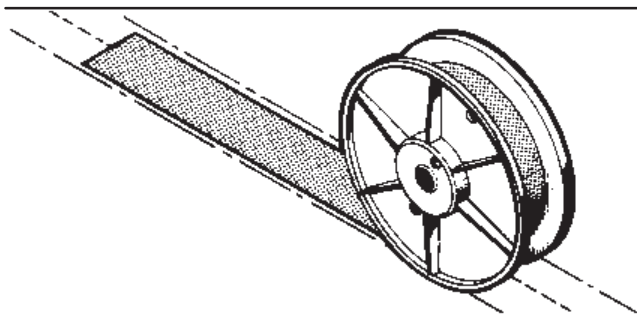


Figure 3

3. Check to be sure four top shield clips are on mounting plate.

4. Slide mounting plate between bottom vinyl shield and cable. Secure mounting plate to floor.

5. Cut upper vinyl shield in the center of the mounting plate. See Figure 4.

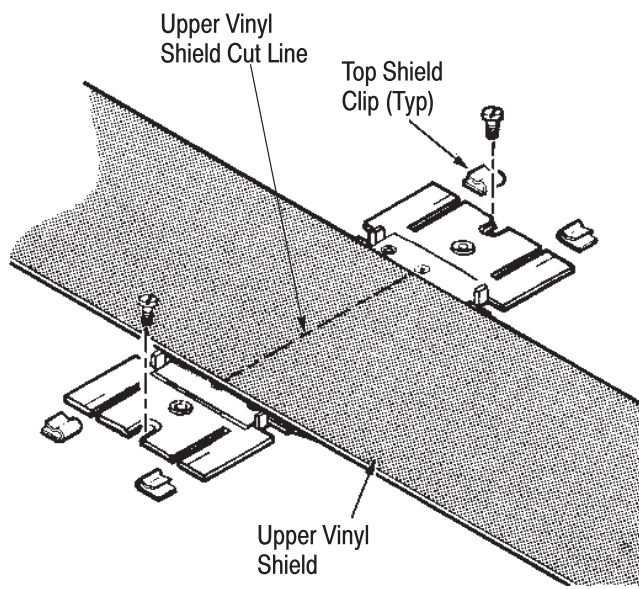


Figure 4

6. Lay top shield. See Figure 5.

7. Mark top shield at cut line indicator marks.

8. Cut top shield. Slide top shield under top shield clips.

9. Fold upper vinyl shield back over top metal shield and tape in place.

10. Tape top metal shield to floor.

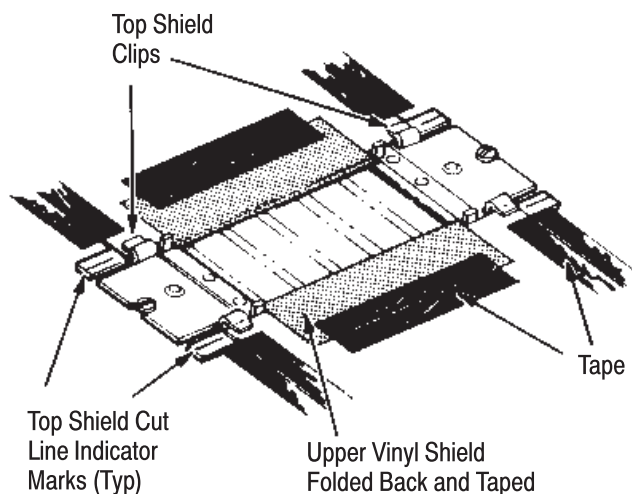


Figure 5

11. Select adapter housing assembly for circuit required.

CAUTION

Isolated ground adapters can only be used with isolated ground cable.



12. Observe polarity and mount adapter over cable.

13. Start outer screws (2) through adapter and into mounting plate. Do NOT tighten. See Figure 6.

14. Place center screws (4) into position. Place screwdriver on each screw and tap with hand to punch screw through cable. All screws must be installed and tightened to 23 N•m [20 in. lb].

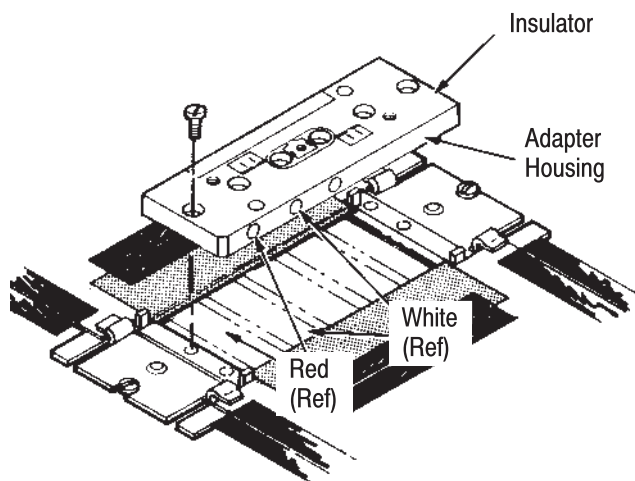


Figure 6

NOTE

For dead-end application, cable should be cut square about 6.35 mm [.250 in.] from end of mounting plate. See Figure 7. Slide bottom vinyl shield under mounting plate and fold upper vinyl shield back. Observe polarity and place end of cable into slot in bottom of adapter. Install top metal shield and adapter on mounting plate as perviously described.

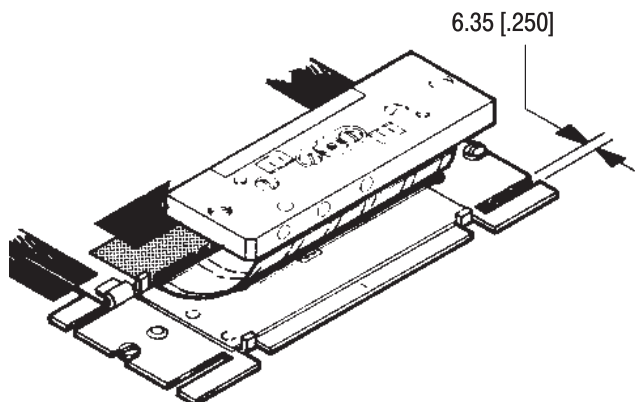


Figure 7

15. Remove the label from the bottom of the receptacle. Observe polarity and align the receptacle over the adapter.

16. Start outer screws (2). Do NOT tighten. Open covers and tighten the center screw. Tighten all screws to 23 N•m [20 in. lb]. See Figure 8.

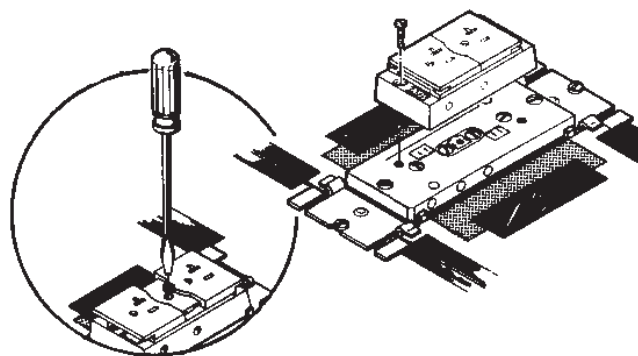


Figure 8

17. Place skirt over receptacle and secure it to the mounting plate with the screws provided. See Figure 9.

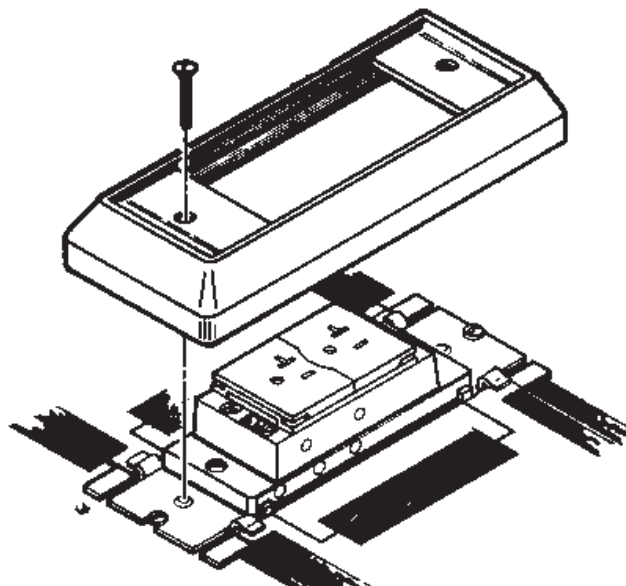


Figure 9

3. REVISION SUMMARY

Rebranded to CommScope.