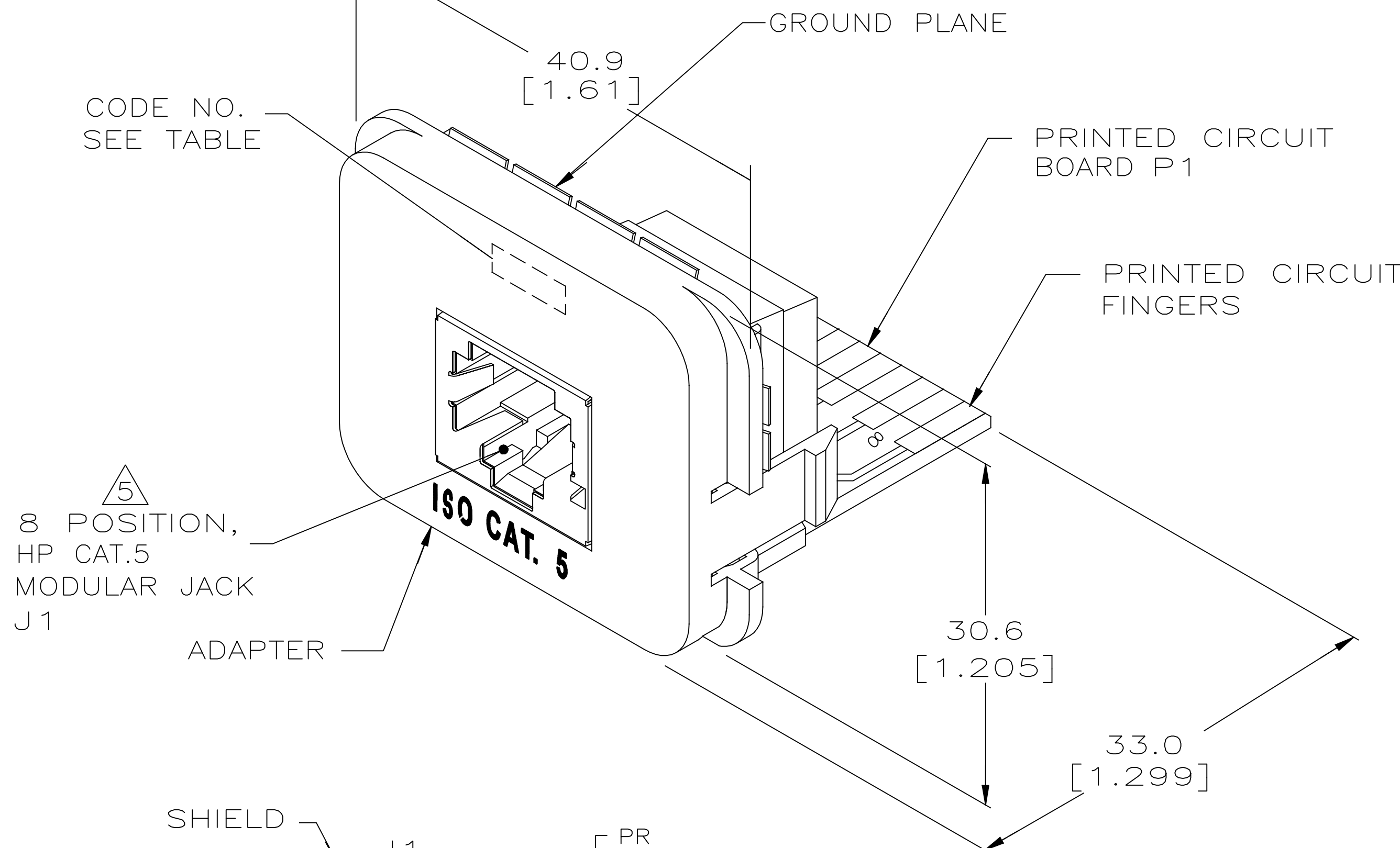


THIS DRAWING IS UNPUBLISHED. RELEASED FOR PUBLICATION

© 2016 Commscope, INC. Confidential

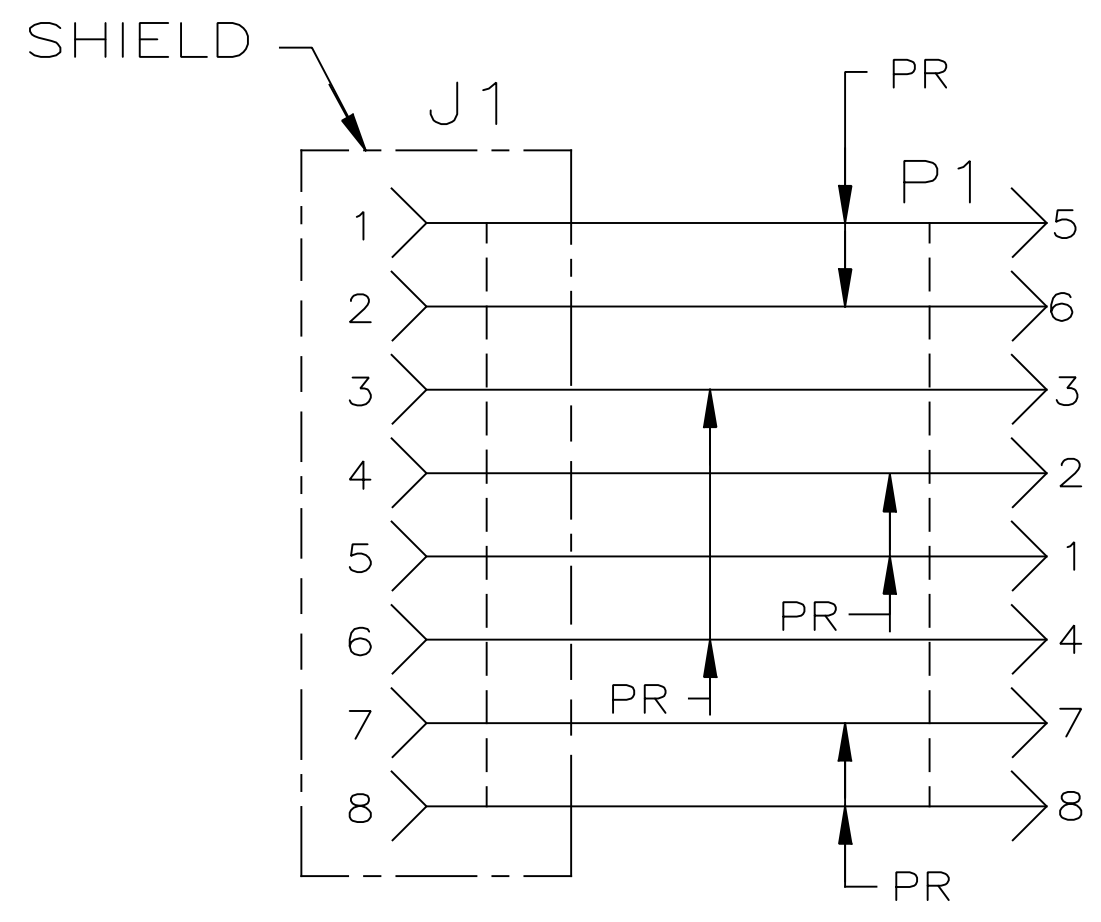
NOTICE: These drawings and specifications are the proprietary property of COMMSCOPE, INC. and may be used only for the specific purpose authorized in writing by COMMSCOPE, INC.

REVISIONS					
P	LTR	DESCRIPTION	DATE	DWN	APVD
	B1	SEE EC, ESE0-0030-04	18-03-04	M.P.	J.S.
	C	REV PER BNS_CD_BRAND	21-01-17	GG	DC



- 1. DIMENSIONS ARE MAXIMUM.
- 2. MATERIAL: PRINTED CIRCUIT BOARD—LAMINATED PLASTIC SHEET, 1.57 [.062] THICK. ADAPTER—ABS MOLDING COMPOUND, SEE TABLE. PRINTED CIRCUIT FINGERS—0.51[m [.000020] MINIMUM GOLD PLATE OVER 1.27[m [.000050] MINIMUM NICKEL PLATE. GROUND PLANE— 2.54[m [.000100] MINIMUM TIN OVER 0.25 [.0098] THICK BRASS.
- 3. DIMENSIONS IN BRACKETS [] ARE IN INCHES.
- 4. THIS INSERT IS DESIGNED TO MATE WITH EDGE CONNECTOR KITS AND WALLBOX KITS — AMP CO.
- 5. THIS INTERCONNECT MEETS THE REQUIREMENTS OF IEC 603-7.

5
8 POSITION, HP CAT.5 MODULAR JACK J1



ELECTRICAL SCHEMATIC

B	4584-5	BLACK	WHITE	284584-5
B	4584-3	WHITE	BLACK	284584-3
B	4584-1	BLACK	LIGHT ALMOND	284584-1
REV.	CODE NO.	MARKINGS COLOR	ADAPTER COLOR	PART NO
CUSTOMER DRAWING FOR REFERENCE ONLY				

THIS DRAWING IS A CONTROLLED DOCUMENT.		DWN	M.PANADERO	18-03-04	COMMSCOPE, INC.																	
DIMENSIONS: mm		CHK	A.PUELL	18-03-04																		
TOLERANCES UNLESS OTHERWISE SPECIFIED:		APVD	J.SANABRA	18-03-04																		
<table border="0"> <tr> <td>0 PLC</td><td>± -</td><td rowspan="5" style="text-align: center;">1</td> </tr> <tr> <td>1 PLC</td><td>± -</td> </tr> <tr> <td>2 PLC</td><td>± -</td> </tr> <tr> <td>3 PLC</td><td>± -</td> </tr> <tr> <td>4 PLC</td><td>± -</td> </tr> <tr> <td>ANGLES</td><td>± -</td> </tr> <tr> <td>MATERIAL</td><td>FINISH</td><td></td> </tr> </table>		0 PLC	± -	1				1 PLC	± -	2 PLC	± -	3 PLC	± -	4 PLC	± -	ANGLES	± -	MATERIAL	FINISH		NAME	
0 PLC	± -	1																				
1 PLC	± -																					
2 PLC	± -																					
3 PLC	± -																					
4 PLC	± -																					
ANGLES	± -																					
MATERIAL	FINISH																					
		APPLICATION SPEC	—																			
WEIGHT		—	—	SIZE	A3	CAGE CODE	—	DRAWING NO	284584	RESTRICTED TO	—											
CUSTOMER DRAWING		SCALE		2:1	SHEET		1 OF 1	REV	C													