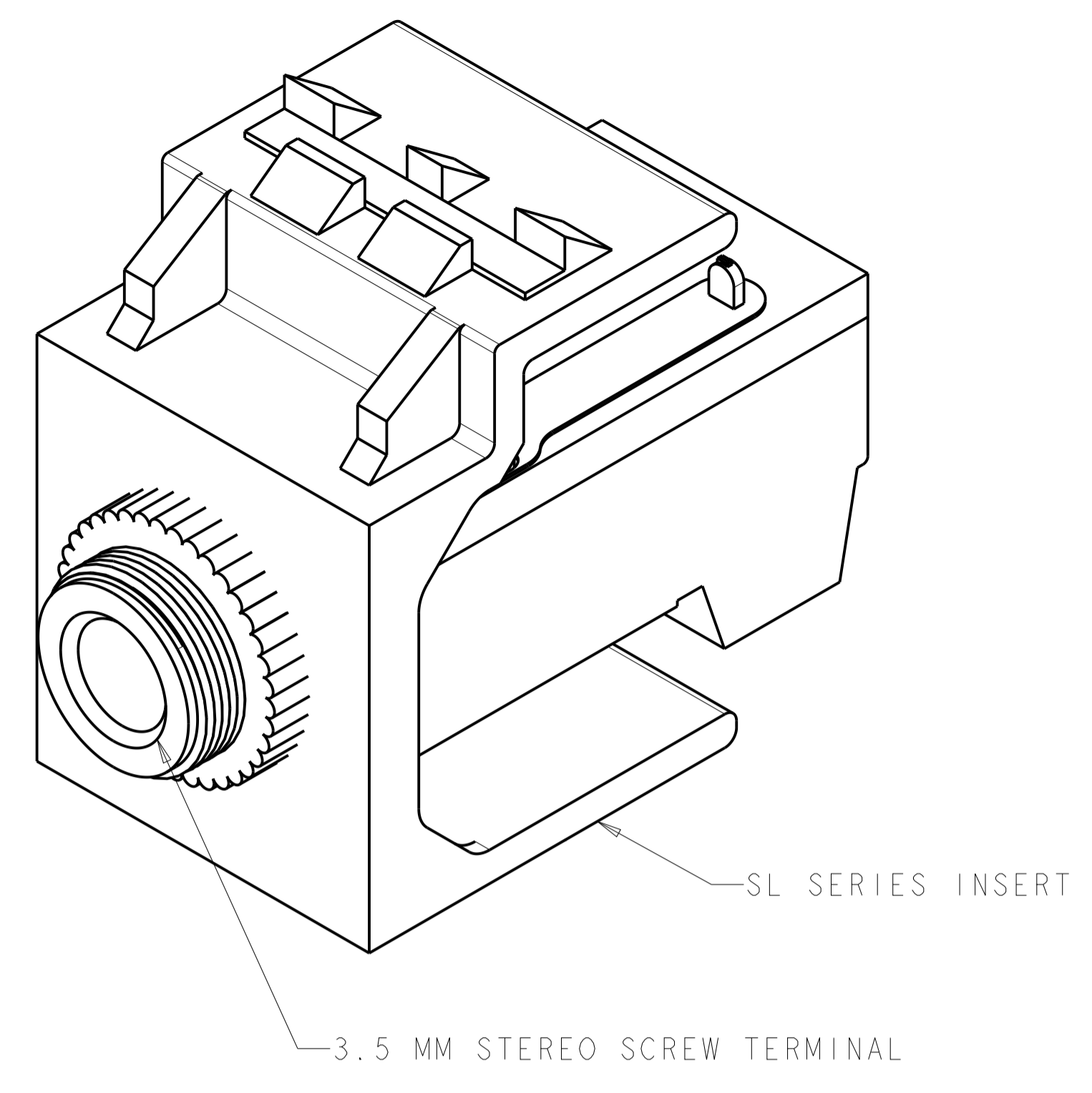


REVISIONS				
P.	LTN	DESCRIPTION	DATE	APP'D
A	RLSD;	NSD 07-104	30OCT2007	GG GB
B	REV;	ECO-10-010362	17MAY2010	GG RA
C	REV;	ECO-13-007085	28APR2013	GG RA
D	REV PER	BNS_CD_BRAND	01FEB2017	GG DC



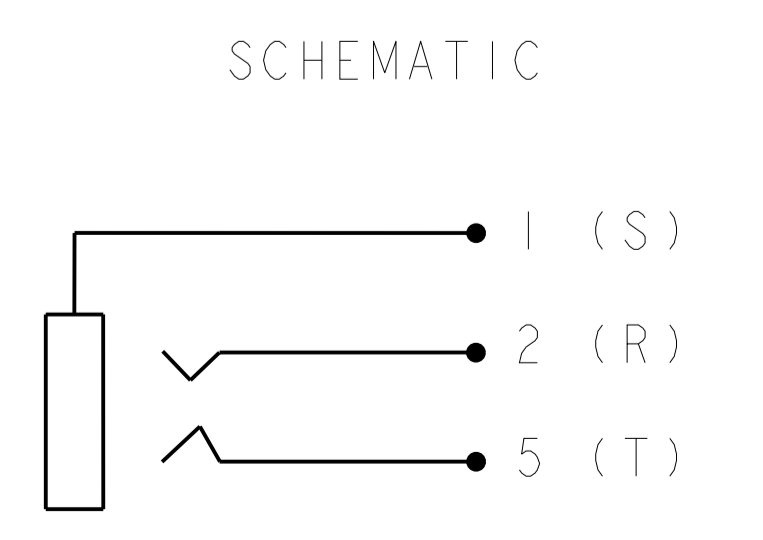
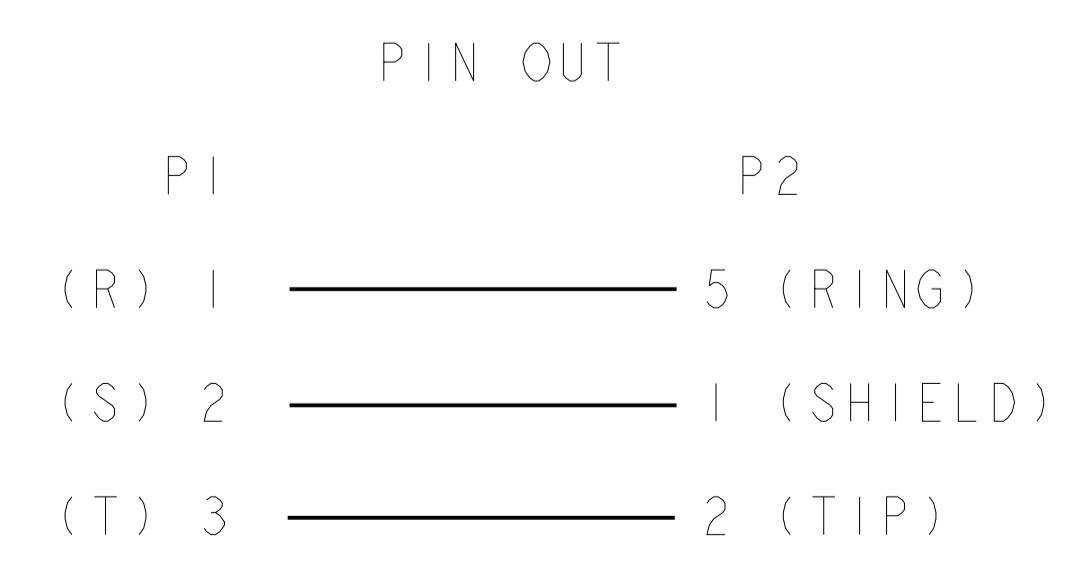
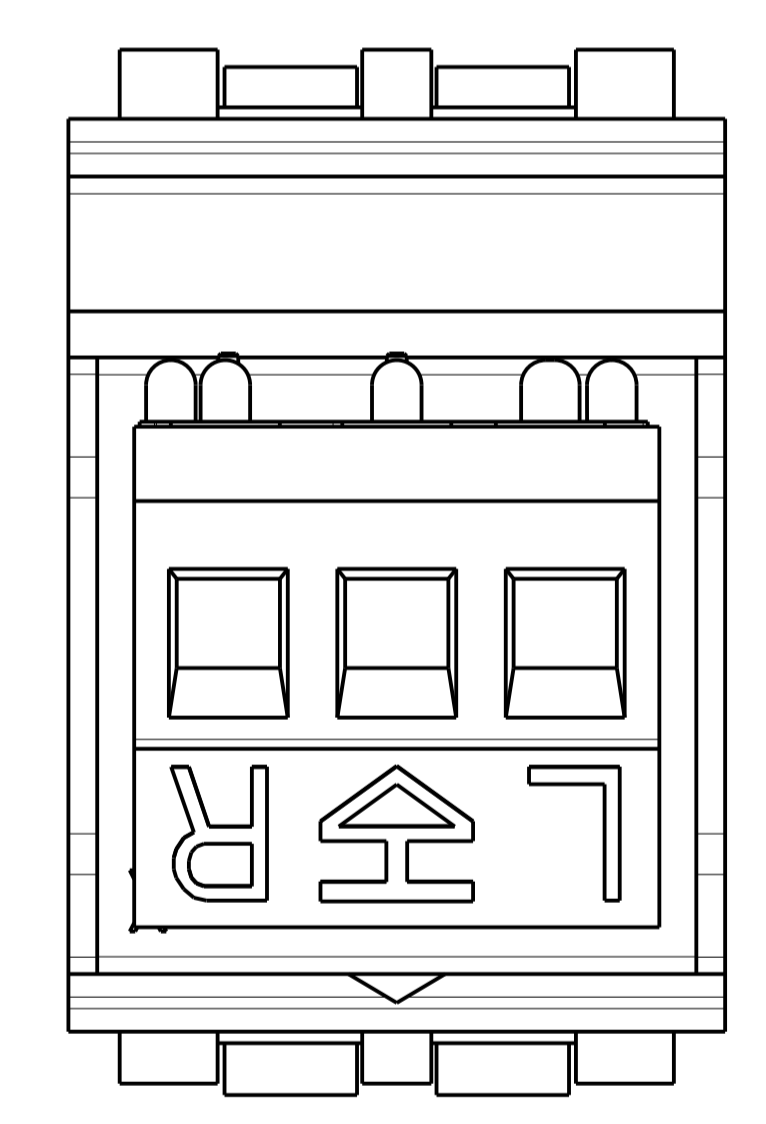
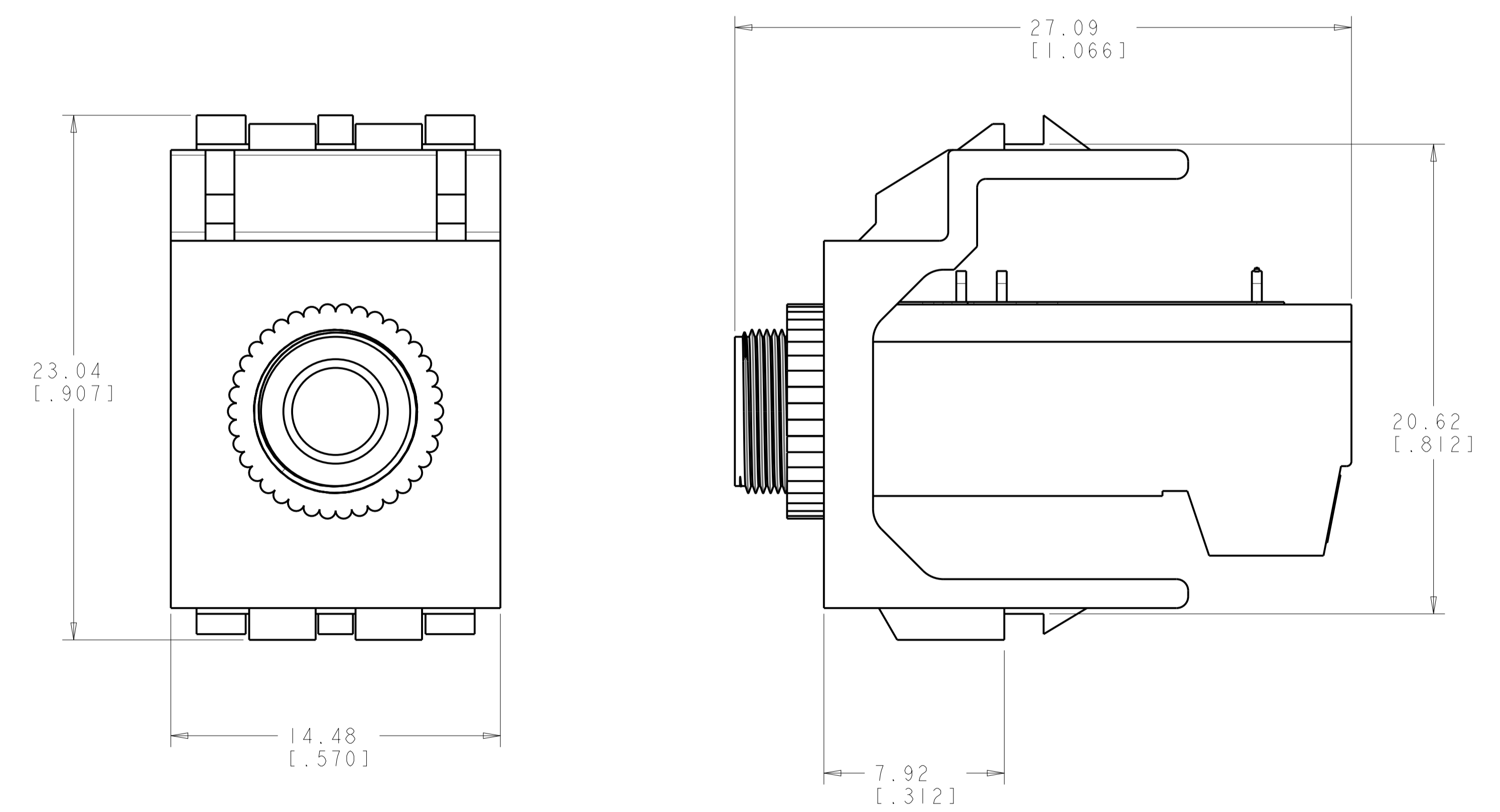
△ MATERIAL:

INSERT:
 POLYCARBONATE MOLDING COMPOUND.

3.5 MM STEREO JACK:
 TIP AND RING CONTACTS - SILVER PLATED PHOSPHOR BRONZE.
 SLEEVE CONTACT - NICKEL PLATED BRASS.
 HOUSING - POLYOXYMETHYLENE.
 COVER - POLYCARBONATE.

SCREW TERMINAL BLOCK:
 BODY - THERMOPLASTIC (UL94V-0)
 SCREW - STEEL YELLOW CHROMATED ZINC.
 WIRE GUARD - STAINLESS STEEL.

2. ALL DIMENSIONS NOMINAL UNLESS OTHERWISE SPECIFIED.



ALPINE WHITE	1-1933582-3
LIGHT ALMOND	1933582-1
COLOR	PART NUMBER

THIS DRAWING IS A CONTROLLED DOCUMENT.		DWN G. GARRETT	30OCT2007	NAME COMMSCOPE, INC. INSERT ASSEMBLY, 3.5 mm STEREO JACK, SCREW TERMINAL, SL SERIES
DIMENSIONS: MM [INCHES]		CHK G. BOWMAN	30OCT2007	
TOLERANCES UNLESS OTHERWISE SPECIFIED:		APP'D G. BOWMAN	30OCT2007	
0 PLC	±	PRODUCT SPEC		SIZE A1
1 PLC	±	APPLICATION SPEC		
2 PLC	±	MATERIAL		RESTRICTED TO
3 PLC	±	FINISH		
4 PLC	±	WEIGHT		SCALE 6:1
ANGLES	±	Customer Drawing		SHEET 1 OF 1
C=1933582				REV D