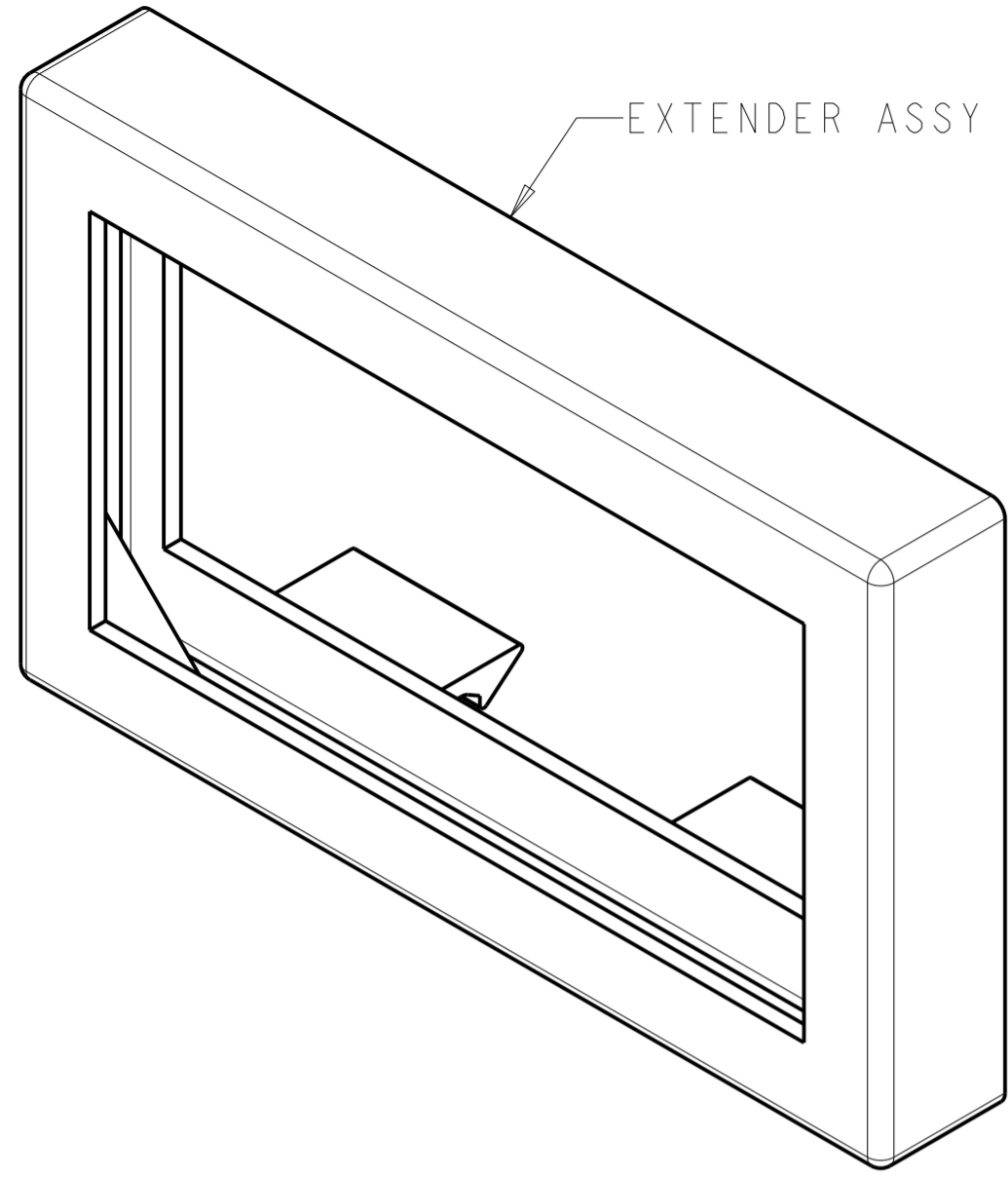


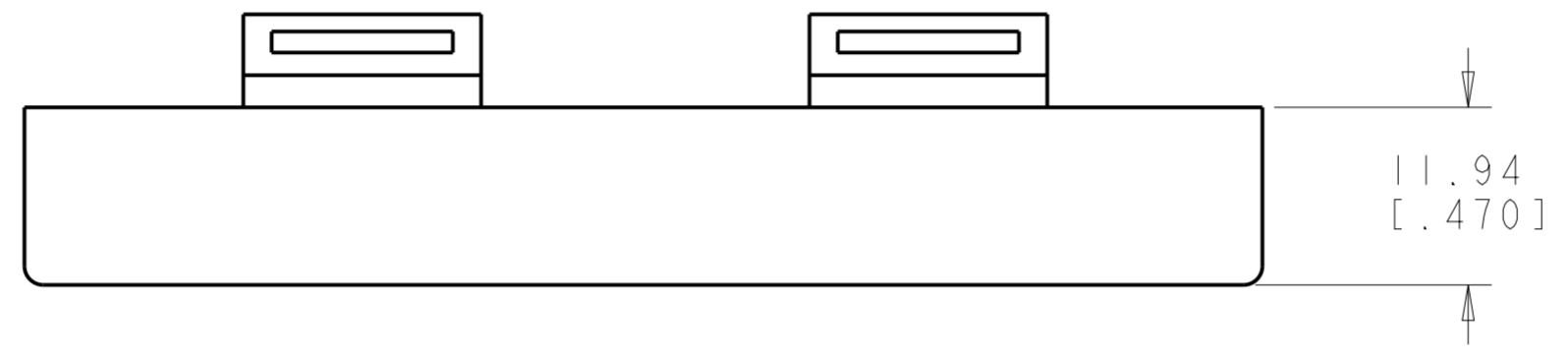
THIS DRAWING IS UNPUBLISHED. RELEASED FOR PUBLICATION  
 © 2016 COMMSCOPE, INC. CONFIDENTIAL NOTICE: THESE DRAWINGS AND SPECIFICATIONS ARE THE PROPRIETARY PROPERTY OF COMMSCOPE, INC. AND MAY BE USED ONLY FOR THE SPECIFIC PURPOSE AUTHORIZED IN WRITING BY COMMSCOPE, INC.

REVISIONS					
P	LTR	DESCRIPTION	DATE	DWN	APVD
A		NSD07-084	04SEP2007	JM	GB
B		REV PER BNS_CD_BRAND	01FEB2017	GG	DC



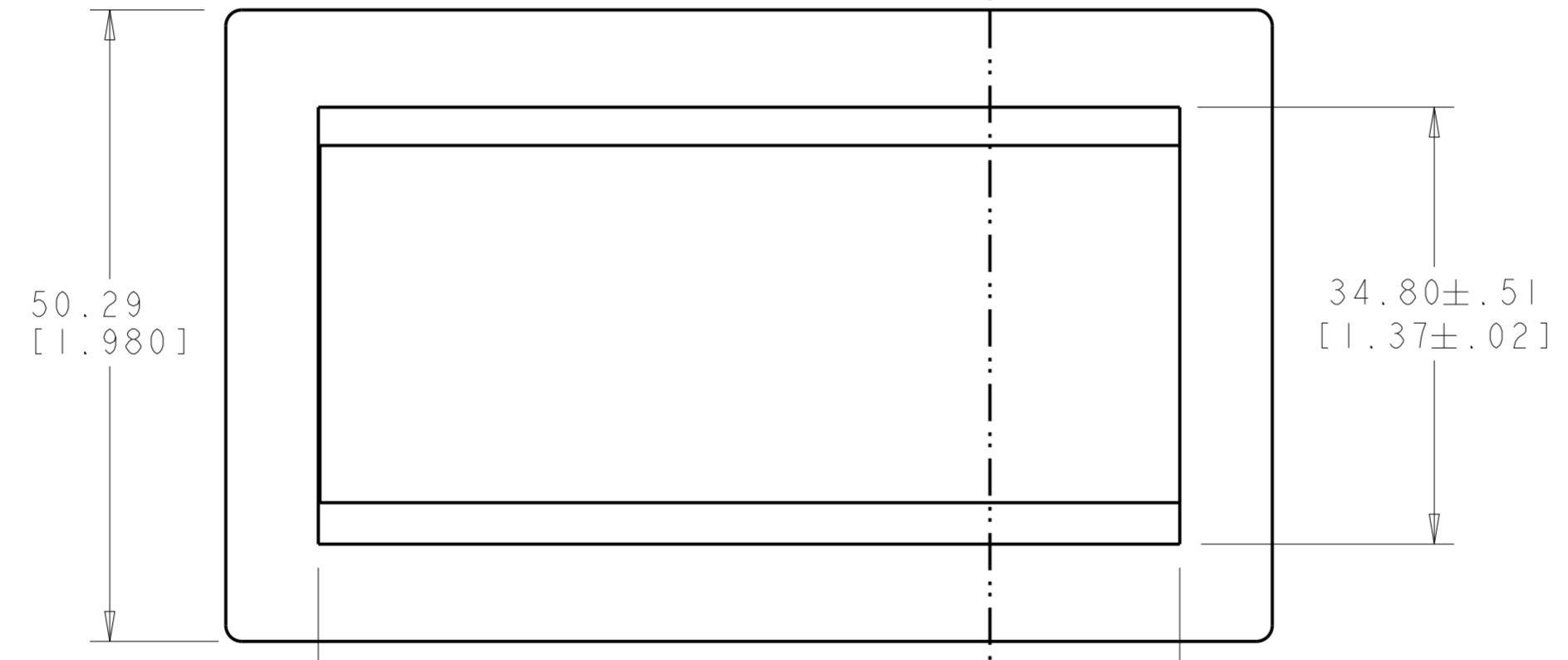
EXTENDER ASSY

- 1 MATERIAL: FACEPLATE- POLYCARBONATE MOLDING  
SEE TABLE FOR COLORS.
- 2 THIS FACEPLATE CAN BE INSTALLED INTO PANELS WHICH ARE 2.03 [.080] TO 1.14 [.045] THICK.
- 3 DIMENSIONS ARE NOMINAL UNLESS OTHERWISE SPECIFIED.



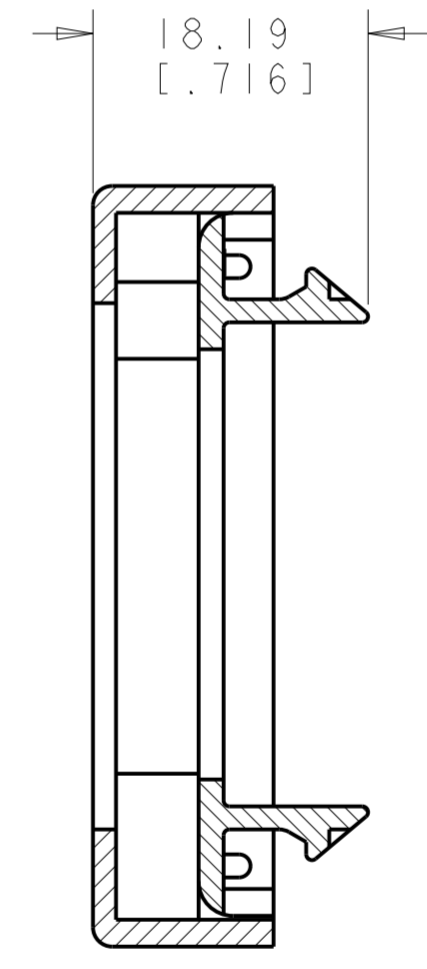
11.94  
[.470]

83.31  
[3.280]



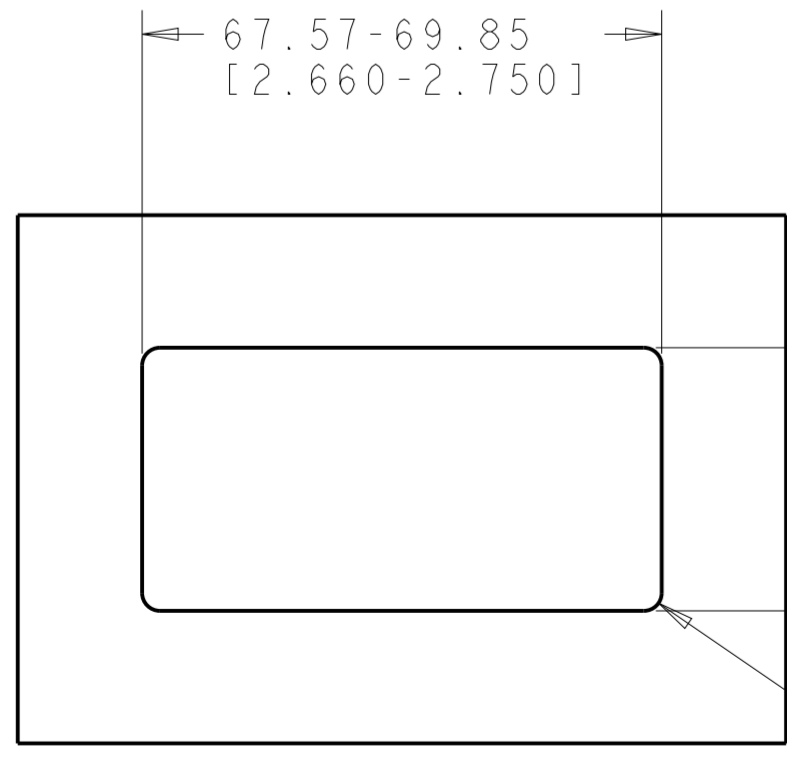
50.29  
[1.980]

34.80 ± .51  
[1.37 ± .02]



SECTION A-A

18.19  
[.716]

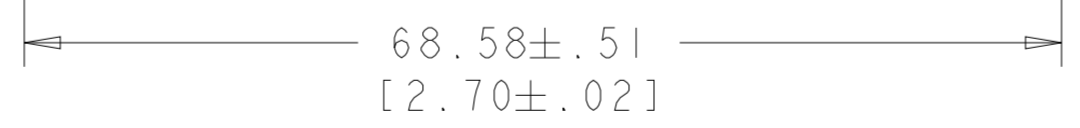


67.57-69.85  
[2.660-2.750]

34.04-35.56  
[1.340-1.400]

R2.36  
[.093]  
4X

RECOMMENDED PANEL CUTOUT



68.58 ± .51  
[2.70 ± .02]

NEMA GRAY	1933468-4
LT ALMOND	1933468-2
BLACK	1933468-1
COLOR	PART NO

THIS DRAWING IS A CONTROLLED DOCUMENT.		DWN J MCNEAL 04SEP2007	<b>COMMSCOPE, INC.</b> NAME EXTENDER ASSY, FLEXMODE			
DIMENSIONS: mm [INCHES]		CHK G BOWMAN 04SEP2007				
TOLERANCES UNLESS OTHERWISE SPECIFIED:		APVD G BOWMAN 04SEP2007				
0 PLC ± 1 PLC ± 2 PLC ± 3 PLC ± 4 PLC ± ANGLES ± FINISH		PRODUCT SPEC -	SIZE A2	CAGE CODE C-1933468	RESTRICTED TO -	
MATERIAL -		APPLICATION SPEC -	WEIGHT -	SCALE 2:1	SHEET 1 OF 1	REV B
CUSTOMER DRAWING						