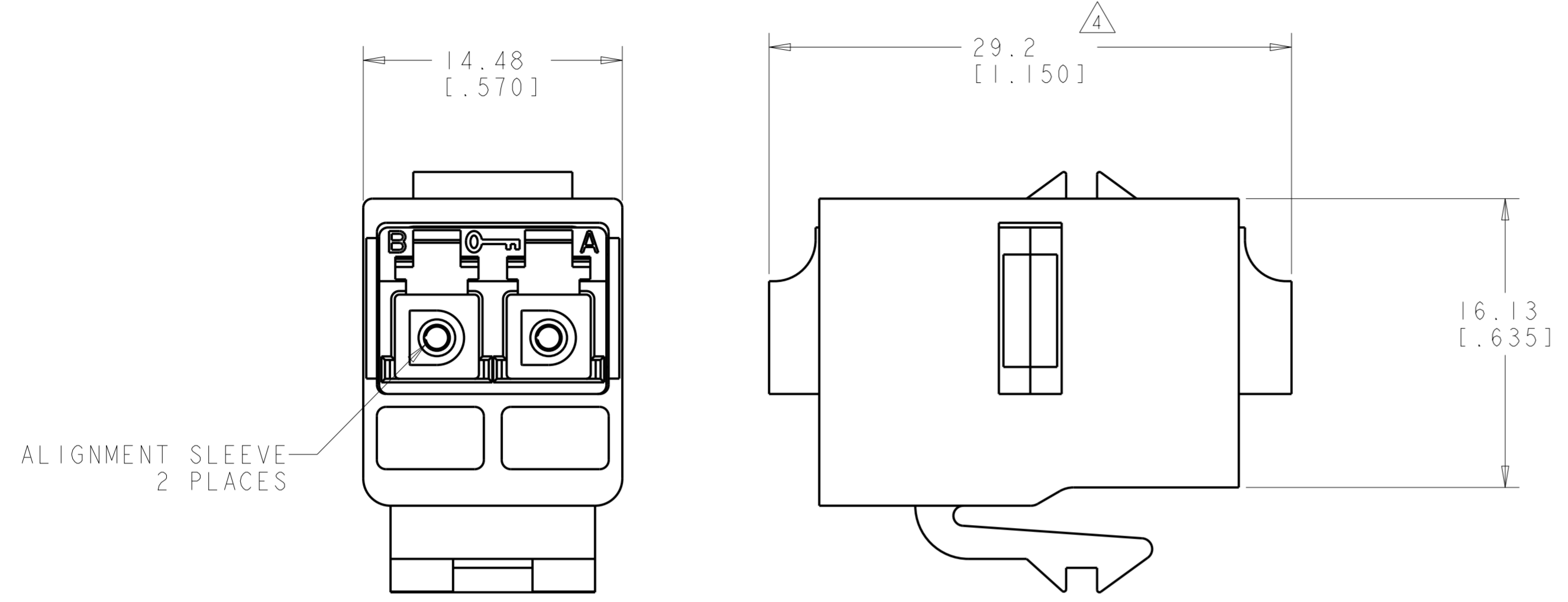
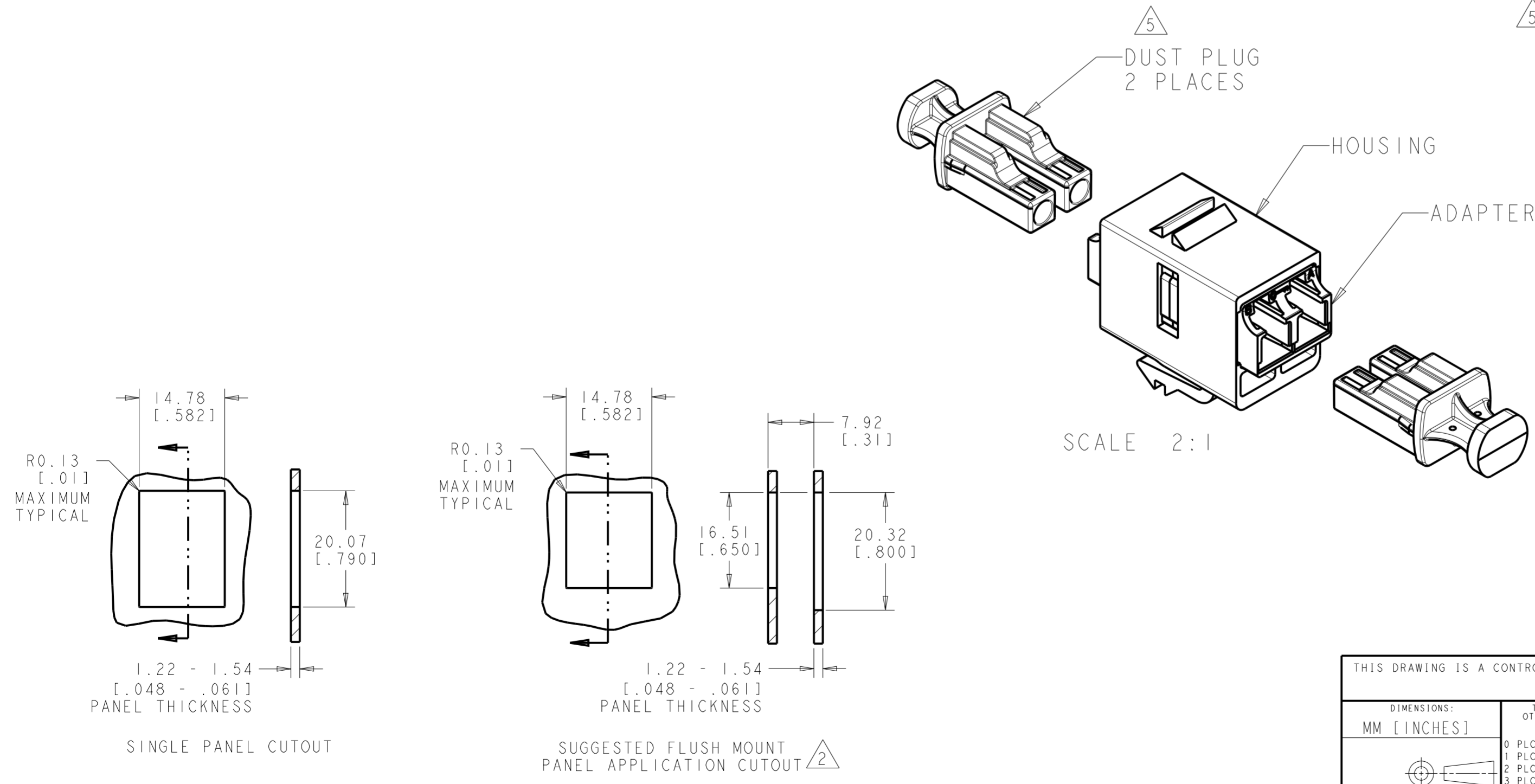


THIS DRAWING IS UNPUBLISHED. RELEASED FOR PUBLICATION
 © 2016 COMMSCOPE, INC. CONFIDENTIAL NOTICE: THESE DRAWINGS AND SPECIFICATIONS ARE THE PROPRIETARY PROPERTY OF COMMSCOPE, INC. AND MAY BE USED ONLY FOR THE SPECIFIC PURPOSE AUTHORIZED IN WRITING BY COMMSCOPE, INC.

REVISIONS				
P	LTR	DESCRIPTION	DATE	APVD
B		REV; 40026011MCO	04MAR2016	GG TE
C		REV PER BNS_CD_BRAND	07FEB2017	GG DC



- 1 MATERIAL:
 HOUSING - POLYPHENYLENE OXIDE, 94V-0 RATED. SEE TABLE FOR COLOR.
 ADAPTER ASSEMBLY - HOUSINGS - THERMOPLASTIC, PPE-PS*, SEE TABLE FOR COLOR
 ALIGNMENT SLEEVES - CERAMIC
 DUST PLUGS: THERMOPLASTIC ELASTOMERS*
 *UL 94V-0 RATED AT QUALIFYING THICKNESS
- 2 THESE TWO SUGGESTED CUTOUT OPENINGS ARE USED IN TANDEM WITH DUAL FRONT AND BACK CUTOUTS.
- 3 PACKAGED ONE ASSEMBLY PER POLYBAG.
- 4 DIMENSION APPLIES WITH DUST PLUGS REMOVED.
- 5 DUST PLUGS SHOWN NOT ASSEMBLED BUT SHIPPED ASSEMBLED TO DUPLEX LC ADAPTER.



PACKAGE	COLOR	PART NUMBER
	BLACK	1-1933422-1
	SLATE	1-1933422-0
	ORANGE	1933422-9
	VIOLET	1933422-8
	BROWN	1933422-7
	AQUA	1933422-6
	ROSE	1933422-5
	BLUE	1933422-4
	GREEN	1933422-3
	YELLOW	1933422-2
	RED	1933422-1

THIS DRAWING IS A CONTROLLED DOCUMENT.

DWN J MCNEAL 02OCT2007
 CHK G BOWMAN 02OCT2007
 APVD G BOWMAN 02OCT2007

DIMENSIONS: MM [INCHES]

TOLERANCES UNLESS OTHERWISE SPECIFIED:
 0 PLC ±
 1 PLC ±
 2 PLC ±
 3 PLC ±
 4 PLC ±
 ANGLES ±
 FINISH

MATERIAL

PRODUCT SPEC
 APPLICATION SPEC
 WEIGHT

CUSTOMER DRAWING

NAME ADAPTER, DUPLEX, LC, SECURE, SL

SIZE A2 CAGE CODE - DRAWING NO. 1933422 RESTRICTED TO -

SCALE 4:1 SHEET OF REV C

COMMSCOPE, INC.