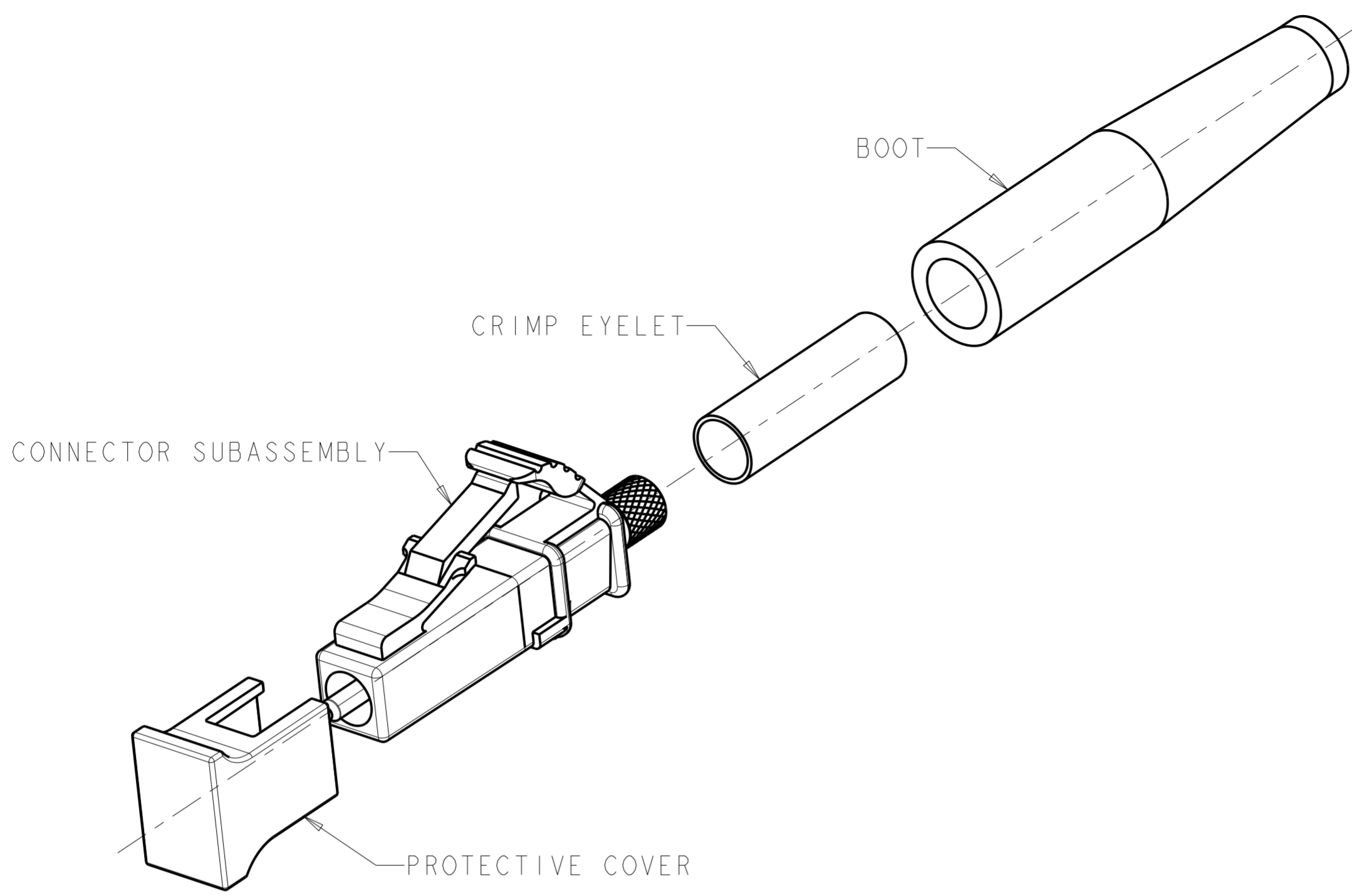


THIS DRAWING IS UNPUBLISHED. RELEASED FOR PUBLICATION
 © 2016 COMMScope, INC. CONFIDENTIAL NOTICE: THESE DRAWINGS AND SPECIFICATIONS ARE THE PROPRIETARY PROPERTY OF COMMScope, INC. AND MAY BE USED ONLY FOR THE SPECIFIC PURPOSE AUTHORIZED IN WRITING BY COMMScope, INC.

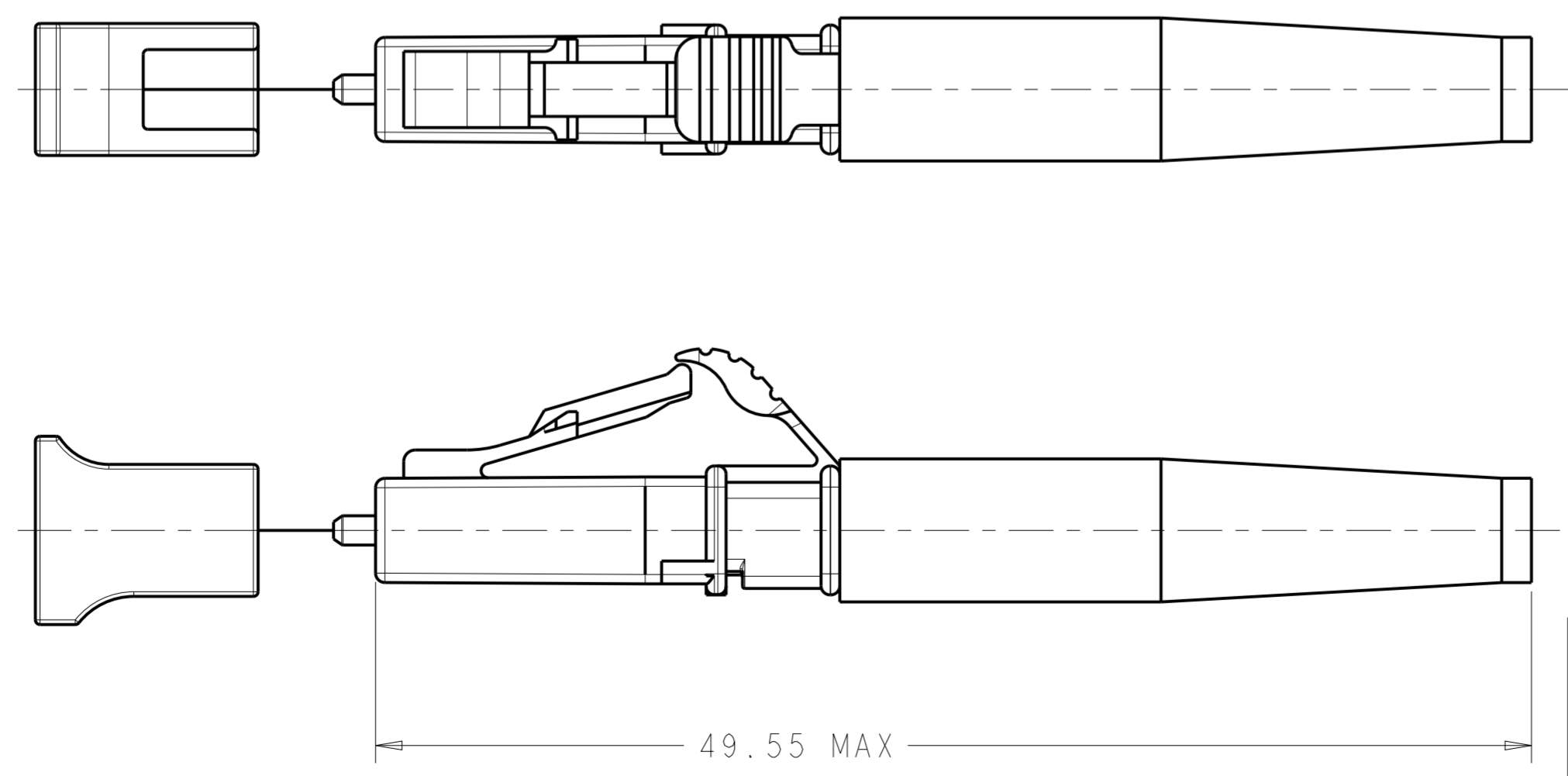
REVISIONS				
P	LTR	DESCRIPTION	DATE	APVD
B2		REVISE NOTE 3	16MAR2009	BB SB
C		REV PER ECR-10-009660	03JUN2010	IL CT
D		REV PER ECO-13-009908	13JUN2013	JM TE
E		REV PER ECN 8000018382	23FEB2017	GG TE



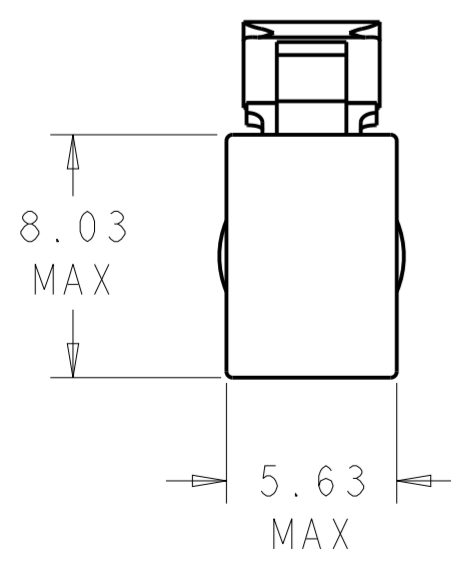
1 MATERIAL
 PROTECTIVE COVER: PP, COLOR: WHITE, UL94 HB*
 FERRULE SUBASSEMBLY: ZIRCONIA/METAL
 COMPRESSION SPRING: STAINLESS STEEL
 FRONT HOUSING: PEI, COLOR: BEIGE, UL94 V-0*
 INNER TUBING: PTFE, COLOR: CLEAR, UL VW-1
 REAR BODY: METAL
 BOOT: TPE, UL94 V-0*, SEE TABLE FOR COLOR
 CRIMP EYELET: NICKEL PLATED BRASS
 *RATED AT QUALIFYING THICKNESS.

2 BULK PACKAGE.

3. INSTRUCTION SHEET: 408-8675



2	BLACK	1918375-6
2	AQUA	1918375-5
	BLACK	1918375-4
	AQUA	1918375-3
2	BEIGE	1918375-2
	BEIGE	1918375-1
	BOOT COLOR	PART NUMBER



THIS DRAWING IS A CONTROLLED DOCUMENT.

DIMENSIONS:	TOLERANCES UNLESS OTHERWISE SPECIFIED:	DWN B. BRIGGS 25APR2006	COMMScope, INC. KIT, CONNECTOR, LC SIMPLEX, MM, 3.0mm JACKET
mm	0 PLC ±	CHK D. ROHDE 25APR2006	
	1 PLC ±	APVD D. BAECHTLE 25APR2006	
	2 PLC ±	PRODUCT SPEC	
	3 PLC ±	APPLICATION SPEC	SIZE A2
	4 PLC ±	WEIGHT -	CAGE CODE -
MATERIAL	ANGLES ±	CUSTOMER DRAWING	DRAWING NO. C-1918375
	FINISH -	SCALE 4:1	RESTRICTED TO -
		SHEET 1 OF 1	REV E