

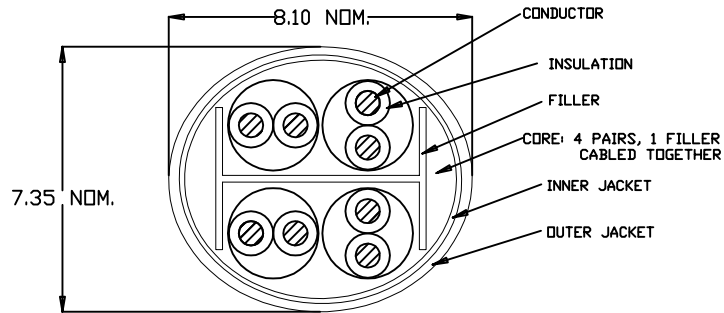
CATEGORY 6A PERFORMANCE CHARACTERISTICS

FREQUENCY (MHz)	ATTENUATION (db/100m)	NEXT (db, WORST PR)	PSNEXT (db)	ELFEXT (db, WORST PR)	PSELFEXT (db)	DELAY (ns/100m)	RL (db)	IMPEDANCE (ohms)	PSANEXT (db/100m)	PSAACRF (db/100m)
	MAXIMUM	MINIMUM	MINIMUM	MINIMUM	MINIMUM	MAXIMUM	MINIMUM		MINIMUM	MINIMUM
1	2.1	74.3	72.3	67.8	64.8	570	20.0	-	67.0	67.0
4	3.8	65.3	63.3	55.8	52.8	552	23.0	100±15	67.0	66.2
8	5.3	60.8	58.8	49.7	46.7	547	24.5	100±15	67.0	60.1
10	5.9	59.3	57.3	47.8	44.8	545	25.0	100±15	67.0	58.2
16	7.5	56.2	54.2	43.7	40.7	543	25.0	100±15	67.0	54.1
20	8.4	54.8	52.8	41.8	38.8	542	25.0	100±15	67.0	52.2
25	9.4	53.3	51.3	39.8	36.8	541	24.3	100±15	67.0	50.2
31.25	10.5	51.9	49.9	37.9	34.9	540	23.6	100±15	67.0	48.3
62.5	15.0	47.4	45.4	31.9	28.9	539	21.5	100±15	65.6	42.3
100	19.1	44.3	42.3	27.8	24.8	538	20.1	100±22	62.5	38.2
150	23.7	41.7	39.7	24.3	21.3	537	18.9	100±22	58.0	32.2
200	27.6	39.8	37.8	21.8	18.8	537	18.0	100±22	56.5	30.2
250	31.1	38.3	36.3	19.8	16.8	536	17.3	100±25	55.3	28.7
300	34.3	37.1	35.1	18.3	15.3	536	16.8	100±25	53.5	26.2
500	45.3	33.8	31.8	13.8	10.8	536	15.2	100±25	52.0	24.2

FOR ENGINEERING PURPOSES ONLY, ALL MEASUREMENTS ARE SWEEPED OVER THE FREQUENCY RANGE OF INTEREST.

COLOR CODE

PAIR	COLOR CODE
1	WHT/BLU//BLU
2	WHT/DRG//DRG
3	WHT/GRN//GRN
4	WHT/BRN//BRN



COMMSCOPE * AMP NETCONNECT CATEGORY 6A ABCDE E98256 4PR 23AWG U/UTP (UL) CM 75C---[LENGTH] METER YYWW [TRACKING NUMBER]
 LEGEND TO BE REPEATED EVERY METER

COLOR	LENGTH(M)	PACKAGING	PART NUMBER
BLUE	305±2%	REEL	3-1859676-6
GRAY	305±2%	REEL	3-1859676-4
WHITE	305±2%	REEL	3-1859676-2

THIS DRAWING IS A CONTROLLED DOCUMENT.

DIMENSIONS: mm 0 PLC ± - 1 PLC ± - 2 PLC ± - 3 PLC ± - 4 PLC ± - MATERIAL: - ANGLE FINISH: -	TOLERANCES UNLESS OTHERWISE SPECIFIED: 0 PLC ± - 1 PLC ± - 2 PLC ± - 3 PLC ± - 4 PLC ± - MATERIAL: - ANGLE FINISH: -	DWN: GONG LI CHK: ENIAC XU APD: ADAM ZHU PRODUCT SPEC: APPLICATION SPEC: WEIGHT: CUSTOMER DRAWING	18MAY2014 18MAY2014 18MAY2014 NAME: ADAM ZHU SIZE: A2 CAGE CODE: 00779 DRAWING NO: C-1859676 RESTRICTED TO: - SCALE: - SHEET: 1 of 1 REV: C	COMMSCOPE, INC. CABLE, CATEGORY 6A, U/UTP 4PR, 23AWG, CM - -
---	---	---	---	---

REVISIONS

P	LR	DESCRIPTION	DATE	DRN	APD
C		40033401MCO	19SEP2016	R.L	G.W

- △ LENGTH START AT 305 METER DOWN TO 0 METER
LENGTH MEASUREMENT ACCURACY TO BE ±1%
- △ MATERIALS ARE SELECTED BASED ON THEIR ABILITY TO CONFORM TO UL 444 AND TIA 568C LATEST ISSUES
- △ INSULATION COLORS SHALL BE BLUE, ORANGE, GREEN, BROWN AND WHITE
- △ JACKET COLOR SHALL BE IN ACCORDANCE WITH EIA-359-A WIRE AND CABLE LIMITS OR COMMSCOPE SUPPLIED COLOR STANDARD
- △ PRINT COLOR SHALL BE BLACK EXCEPT WHITE ON BLACK JACKET
- △ PRINT DURABILITY SHALL BE PER UL 444 RELATED SECTIONS.
- 7. GOVERNING SPECIFICATIONS - LATEST REVISIONS
TIA 568C
NEC 800
UL 444
- △ * - UL MULTIPLE LISTING IDENTIFIER.

1859676