

THIS DRAWING IS UNPUBLISHED.

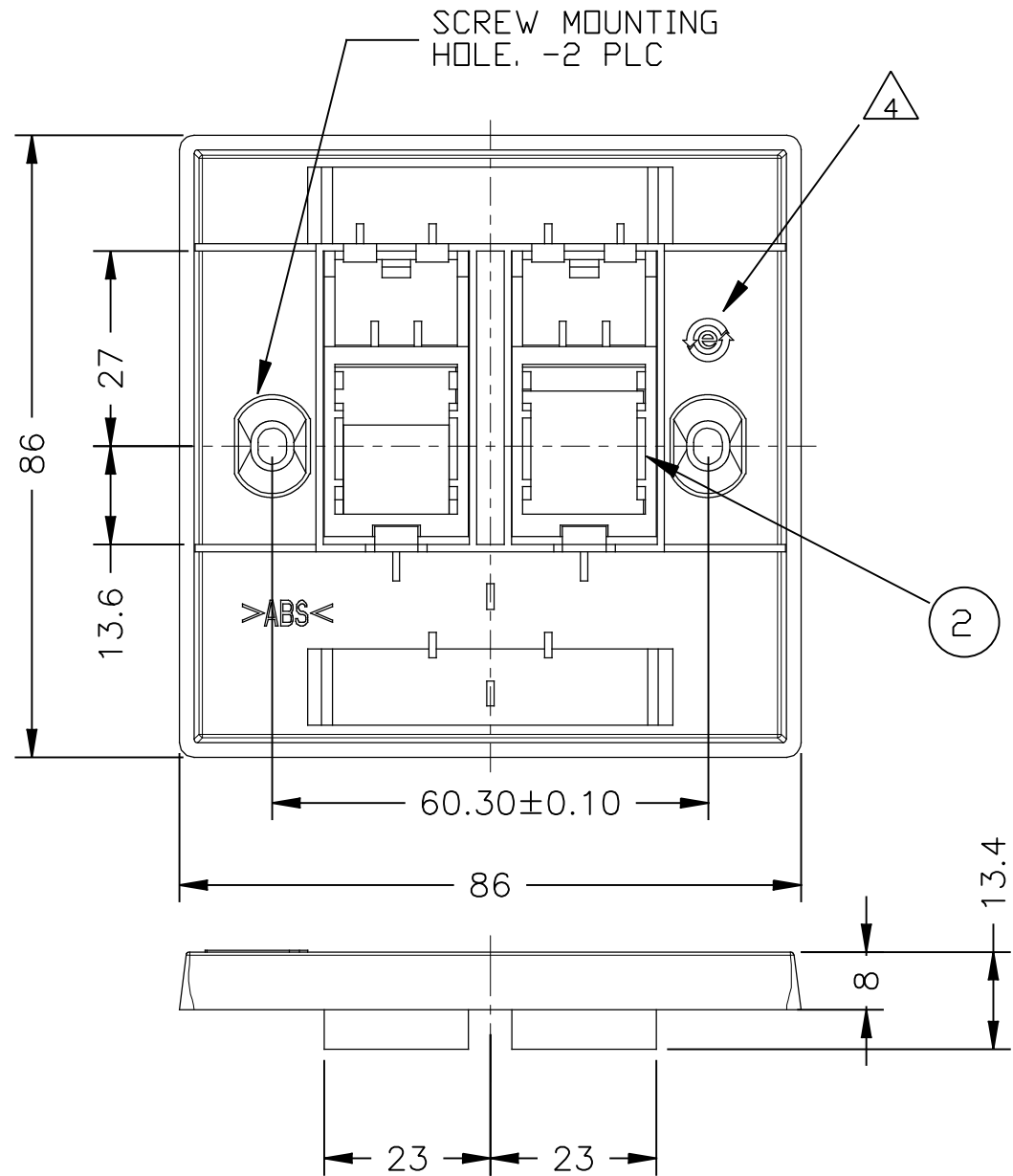
RELEASED FOR PUBLICATION

© 2016 Commscope, INC. Confidential

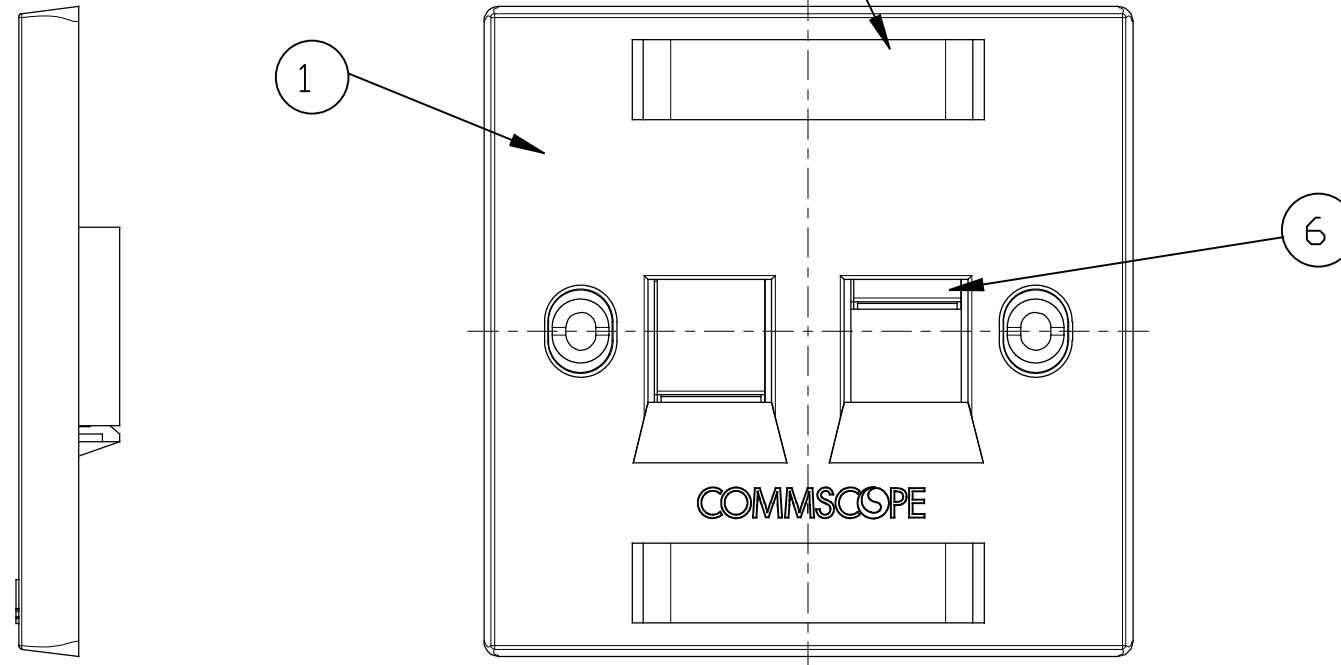
NOTICE: These drawings and specifications are the proprietary property of COMMSCOPE, INC. and may be used only for the specific purpose authorized in writing by COMMSCOPE, INC.

REVISIONS

P	LTR	DESCRIPTION	DATE	DWN	APVD
	C	ECN:8000024465 REBRABDING.	08AUG2017	R.L	G.W



AREA FOR LABEL PLACEMENT



NOTE:

- 1. FACEPLATE KIT CONSIST OF THE FOLLOWING ITEM:
FACEPLEATE ASSEMBLED WITH JACK HOLDER
AND SPRING SHUTTER ASSEMBLES -1 PC
SCREW COVER -2 PCS
SCREW, PAN HEAD, M3.5x0.35x25mm -2 PCS
LABEL COVER -2 PCS
- 2. SCREW, SCREW CPVERS AND LABEL COVER ARE PACKED SEPARATELY IN A BAG.

△3 ITEMS NO. 3,4,5 AND 7 NOT SHOWN IN DRAWING.

△4 CHINA E-LOGO ADDED ON BACK SURFACE.

- △3
- △3
- △3
- △3

ITEM	COMPONENT	MATERIAL
7	SHUTTER SPRING	STEEL, STAINLESS
6	SHUTTER	ABS UL94V-0+UV
5	SCREW, M3.5x0.35x25mm,GB819-85	BRASS, NICKEL PLT
4	SCREW COVER	ABS UL94V-0+UV
3	LABEL COVER	ACRYLIC UL94V-0
2	JACK HOLDER	ABS UL94V-0+UV
1	FACEPLATE	ABS UL94V-0+UV

THIS DRAWING IS A CONTROLLED DOCUMENT.		DWN E.WANG 28DEC2005	COMMSCOPE, INC.		
DIMENSIONS: mm		CHK -			
TOLERANCES UNLESS OTHERWISE SPECIFIED:		APVD E.WANG 28DEC2005	NAME FACEPLATE KIT, 2 PORTS, 110 CONNECT, B.S STYLE		
0 PLC ± -		PRODUCT SPEC -	APPLICATION SPEC -		
1 PLC ± -		APPLIC. SPEC -	SIZE A3	CAGE CODE 00779	DRAWING NO C=1859050
2 PLC ± -		WEIGHT -	RESTRICTED TO -		
3 PLC ± -		CUSTOMER DRAWING			
4 PLC ± -		SCALE 1		SHEET 1 OF 1	
ANGLES ± -		REV C			
FINISH -					

