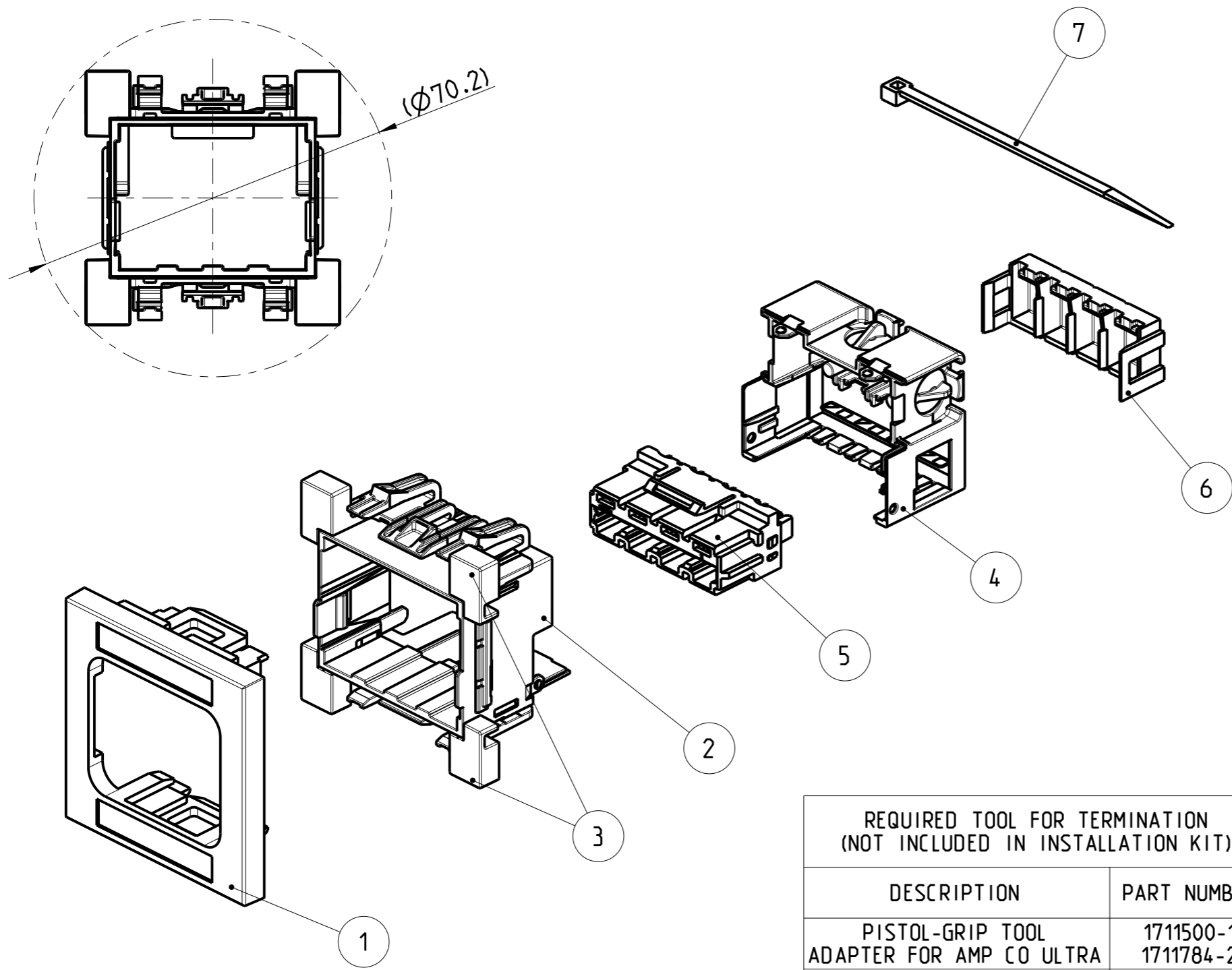


THIS DRAWING IS UNPUBLISHED. RELEASED FOR PUBLICATION

© 2016 COMMSCOPE, INC. CONFIDENTIAL NOTICE: THESE DRAWINGS AND SPECIFICATIONS ARE THE PROPRIETARY PROPERTY OF COMMSCOPE, INC. AND MAY BE USED ONLY FOR THE SPECIFIC PURPOSE AUTHORIZED IN WRITING BY COMMSCOPE, INC.

REVISIONS					
P	LTR	DESCRIPTION	DATE	DWN	APVD
	A	RELEASED	11JUL2011	LC	JS
	B	REV PER ECN 8000019004	31JAN2017	GG	SA



1. PACKAGING UNIT:  
 10 INSTALLATION KITS  
 + 1 APPLICATION SPEC. 114-93018  
 + 1 APPLICATION SPEC. 114-93021  
 PACKED INTO CARDBOARD BOX

REQUIRED TOOL FOR TERMINATION (NOT INCLUDED IN INSTALLATION KIT)	
DESCRIPTION	PART NUMBER
PISTOL-GRIP TOOL ADAPTER FOR AMP CO ULTRA	1711500-1 1711784-2
ALTERNATIVE TOOL: IMPACT TOOL	1375308-1 1583608-1

QTY	DESCRIPTION	ITEM
1/10	APPL. SPEC. FLOOR BOX 114-93021	9
1/10	APPL. SPEC. HOUSING 114-93018	8
1	CABLE TIE	7
1	COVER SHIELDED EDGE CONNECTOR	6
1	SUBASSY SHIELDED EDGE CONNECTOR	5
1	BACK AMP CO HOUSING WITH LABEL	4
2	50x50 HOUSING ADAPTER	3
1	FRONT AMP CO HOUSING WITH DOVETAIL	2
1	50x50 FLOOR BOX AMP CO FACEPLATE /Almond	1

ACCESSORY PARTS (NOT INCLUDED IN INSTALLATION KIT)	
DESCRIPTION	PART NUMBER
AMP CO INSERTS	SEE CATALOGUE
LABELS FOR AMP CO DUAL INSERTS	2-0101021-X

DIMENSIONS:		TOLERANCES UNLESS OTHERWISE SPECIFIED:	
mm			
		0 PLC	±
		1 PLC	±0.1
		2 PLC	±
		3 PLC	±
		4 PLC	±
		ANGLES	±
MATERIAL	-	FINISH	-

DWN	L. COBACHO	11JUL2011
CHK	J. GATNAU	11JUL2011
APVD	J. SANABRA	11JUL2011
PRODUCT SPEC	108-93037	
APPLICATION SPEC	114-93018 114-93021	
WEIGHT	-	
CUSTOMER DRAWING		

<b>COMMSCOPE, INC.</b>			
AMP CO ULTRA INSTALLATION KIT DIN 50x50 FLOOR BOX			
SIZE	CAGE CODE	DRAWING NO	RESTRICTED TO
A3	-	C-1711876	-
SCALE 1:1		SHEET 1 OF 1	REV B