

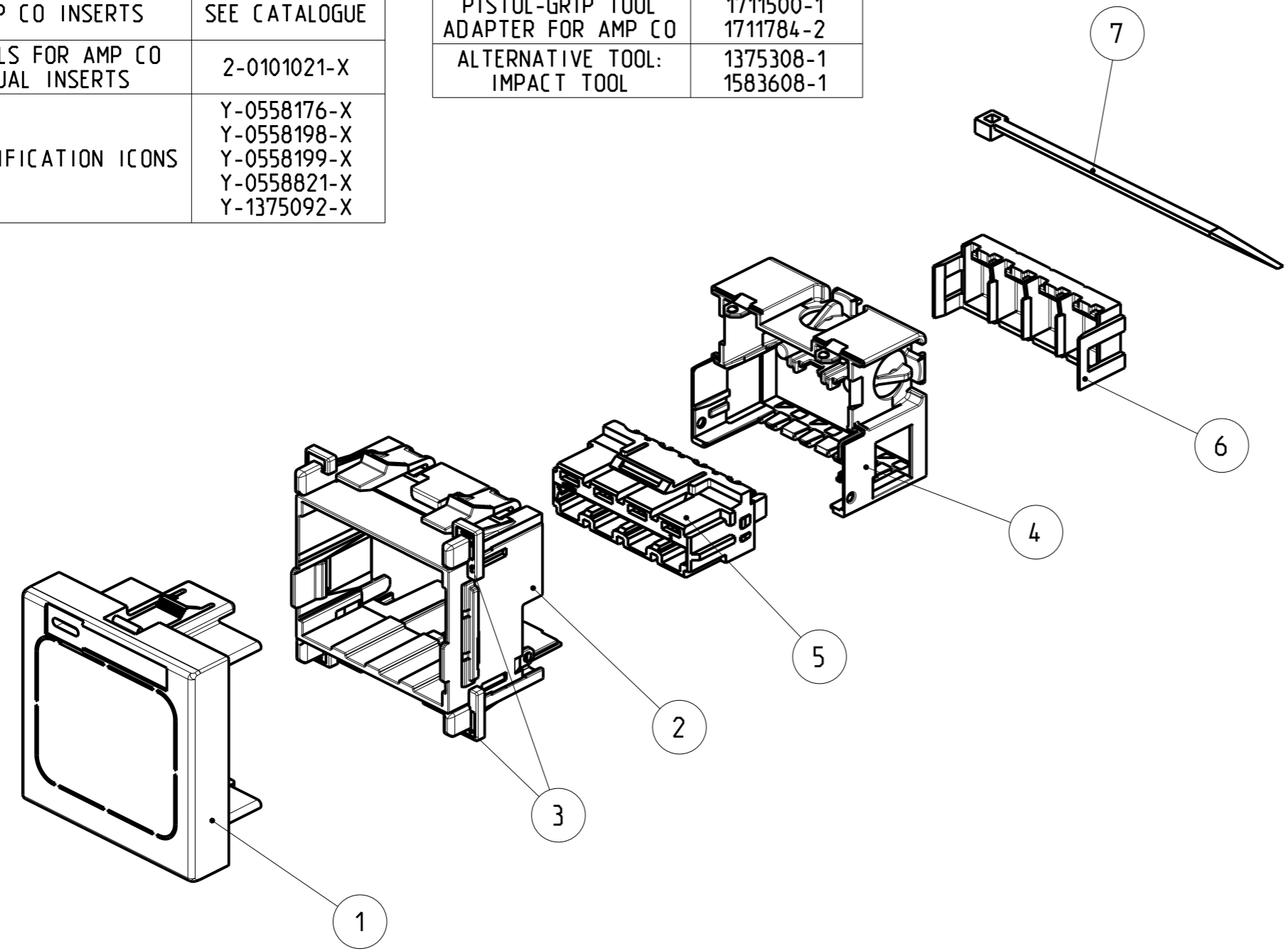
THIS DRAWING IS UNPUBLISHED. RELEASED FOR PUBLICATION
 © 2016 COMMSCOPE, INC. CONFIDENTIAL NOTICE: THESE DRAWINGS AND SPECIFICATIONS ARE THE PROPRIETARY PROPERTY OF COMMSCOPE, INC. AND MAY BE USED ONLY FOR THE SPECIFIC PURPOSE AUTHORIZED IN WRITING BY COMMSCOPE, INC.

REVISIONS					
P	LTR	DESCRIPTION	DATE	DWN	APVD
	A	RELEASED	30NOV2011	LC	JS
	B	SEE ECR-11-025732	05JAN2012	LC	JS
	C	REV PER ECN 8000019004	31JAN2017	GG	SA

ACCESSORY PARTS (NOT INCLUDED IN INSTALLATION KIT)	
DESCRIPTION	PART NUMBER
AMP CO INSERTS	SEE CATALOGUE
LABELS FOR AMP CO DUAL INSERTS	2-0101021-X
IDENTIFICATION ICONS	Y-0558176-X Y-0558198-X Y-0558199-X Y-0558821-X Y-1375092-X

REQUIRED TOOL FOR TERMINATION (NOT INCLUDED IN INSTALLATION KIT)	
DESCRIPTION	PART NUMBER
PISTOL-GRIP TOOL ADAPTER FOR AMP CO	1711500-1 1711784-2
ALTERNATIVE TOOL: IMPACT TOOL	1375308-1 1583608-1

1. PACKAGING UNIT:
 10 INSTALLATION KITS
 + APPL. SPEC. 114-93018-1
 + APPL. SPEC. 114-93023
 PACKED INTO CARDBOARD BOX



QTY	DESCRIPTION	ITEM	
1/10	1/10	APPL. SPEC. 45x45 114-93023	9
1/10	1/10	APPL. SPEC. HOUSING 114-93018-1	8
1	1	CABLE TIE	7
1	1	COVER SHIELDED EDGE CONNECTOR	6
1	1	SUBASSY SHIELDED EDGE CONNECTOR	5
1	1	BACK AMP CO HOUSING WITH LABEL	4
2	2	45x45 HOUSING ADAPTER	3
1	1	FRONT AMP CO HOUSING WITH DOVETAIL	2
1	-	45x45 AMP CO FACEPLATE /White	1
-	1	45x45 AMP CO FACEPLATE /Almond	

THIS DRAWING IS A CONTROLLED DOCUMENT.		DWN L. COBACHO 30NOV2011	COMMSCOPE, INC.	
DIMENSIONS: mm		CHK J. GATNAU 30NOV2011		
TOLERANCES UNLESS OTHERWISE SPECIFIED:		APVD J. SANABRA 30NOV2011	NAME AMP CO ULTRA INSTALLATION KIT 45x45	
0 PLC ±		PRODUCT SPEC 108-93037	RESTRICTED TO	
1 PLC ±		APPLICATION SPEC 114-93023	SIZE A3	CAGE CODE -
2 PLC ±		- 114-93018-1	DRAWING NO C-1711860	SCALE 1:1
3 PLC ±		WEIGHT -	SHEET 1 OF 1	REV C
4 PLC ±		CUSTOMER DRAWING		
ANGLES ±				
FINISH -				