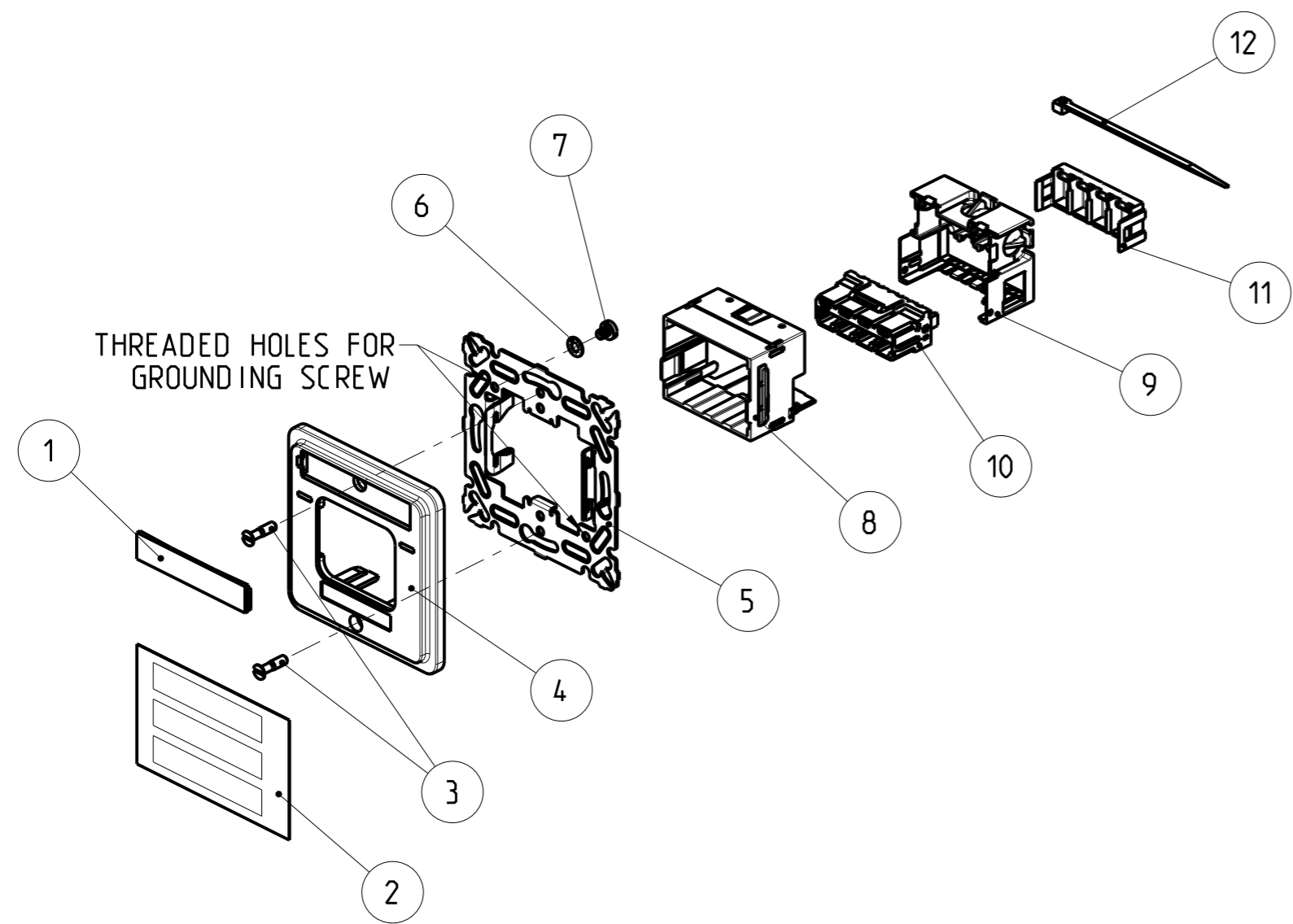


THIS DRAWING IS UNPUBLISHED. RELEASED FOR PUBLICATION

© 2016 COMMSCOPE, INC. CONFIDENTIAL NOTICE: THESE DRAWINGS AND SPECIFICATIONS ARE THE PROPRIETARY PROPERTY OF COMMSCOPE, INC. AND MAY BE USED ONLY FOR THE SPECIFIC PURPOSE AUTHORIZED IN WRITING BY COMMSCOPE, INC.

REVISIONS					
P	LTR	DESCRIPTION	DATE	DWN	APVD
	A	RELEASED	11JUL2011	LC	JS
	B	REV PER BNS_CD_BRAND	03FEB2017	GG	DC



1. PACKAGING UNIT:
 10 INSTALLATION KITS
 + 1 APPLICATION SPEC. 114-93018
 + 1 APPLICATION SPEC. 114-93019
 PACKED INTO CARDBOARD BOX

QTY	DESCRIPTION	ITEM	
1/10	1/10	APPL. SPEC. DIN 114-93019	14
1/10	1/10	APPL. SPEC. HOUSING 114-93018	13
1	1	CABLE TIE	12
1	1	COVER SHIELDED EDGE CONNECTOR	11
1	1	SUBASSY SHIELDED EDGE CONNECTOR	10
1	1	BACK AMP CO HOUSING WITH LABEL	9
1	1	FRONT AMP CO HOUSING WITH DOVETAIL	8
1	1	GROUNDING SCREW M3	7
1	1	WASHER INTERNAL TOOTH	6
1	1	SHEET METAL FRAME	5
1	-	68x68 AMP CO FACEPLATE /White	4
-	1	68x68 AMP CO FACEPLATE /Almond	
2	2	SCREW M3 FOR FACEPLATE	3
1	1	3 LABELS SET	2
1	1	LABEL COVER	1
2-1	-1	DESCRIPTION	ITEM

ACCESSORY PARTS (NOT INCLUDED IN INSTALLATION KIT)	
DESCRIPTION	PART NUMBER
AMP CO INSERTS	SEE CATALOGUE
LABELS FOR AMP CO DUAL INSERTS	2-0101021-X
IDENTIFICATION ICONS	Y-0558176-X Y-0558198-X Y-0558199-X Y-0558821-X Y-1375092-X
FACEPLATE FRAME	Y-964830-1 Y-964361-2 Y-964361-3

REQUIRED TOOL FOR TERMINATION (NOT INCLUDED IN INSTALLATION KIT)	
DESCRIPTION	PART NUMBER
PISTOL-GRIP TOOL	1711500-1
ADAPTER FOR AMP CO ULTRA	1711784-2
ALTERNATIVE TOOL: IMPACT TOOL	1375308-1 1583608-1

DIMENSIONS:		TOLERANCES UNLESS OTHERWISE SPECIFIED:	
mm			
		0 PLC	±
		1 PLC	±
		2 PLC	±
		3 PLC	±
		4 PLC	±
		ANGLES	±
MATERIAL	-	FINISH	-

THIS DRAWING IS A CONTROLLED DOCUMENT.		DWN L. COBACHO 11JUL2011	<h1>COMMSCOPE, INC.</h1> <h2>AMP CO ULTRA INSTALLATION KIT</h2> <h3>DIN 68x68</h3>	
		CHK J. GATNAU 11JUL2011		
		APVD J. SANABRA 11JUL2011		
		PRODUCT SPEC 108-93037		
		APPLICATION SPEC 114-93018 114-93019	NAME	RESTRICTED TO
		WEIGHT	SIZE A3	CAGE CODE -
		CUSTOMER DRAWING	DRAWING NO C-1711856	SCALE 1:2
			SHEET 1 OF 1	REV B