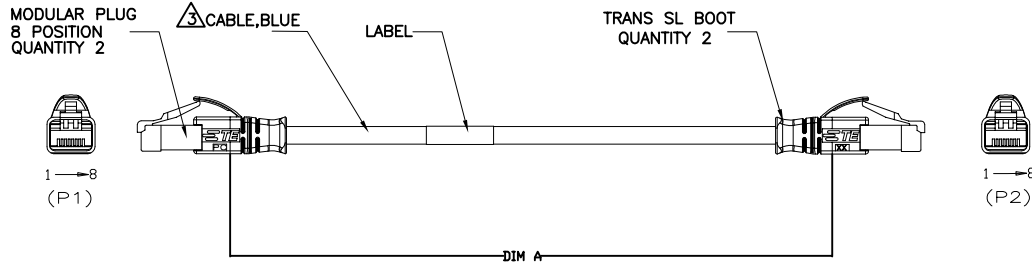
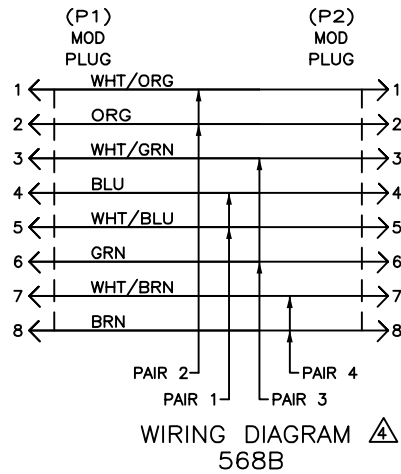


THIS DRAWING IS UNPUBLISHED. RELEASED FOR PUBLICATION
 © 2016 Comscope, INC. Confidential. THESE DRAWINGS AND SPECIFICATIONS ARE THE PROPRIETARY PROPERTY OF COMSCOPE, INC. AND MAY BE USED ONLY FOR THE SPECIFIC PURPOSES AUTHORIZED BY COMSCOPE, INC.

REVISIONS				
P	LR	DESCRIPTION	DATE	DRN / APD
D		40033411MCO	30SEP2016	R.L. G.W



1. ONE CABLE ASSEMBLY PACKAGED IN A POLY BAG.
2. DIMENSIONS ARE MAXIMUM UNLESS OTHERWISE SPECIFIED.
3. CABLE: UNSHIELDED 23 AWG, 4 TWISTED PAIRS, SOLID COPPER, 100 OHMS, CMR, CAT6.
4. WIRES TO BE LACED IN MOD PLUG PER COLOR CODE IN WIRING DIAGRAM. FINAL ASSEMBLY WILL BE T568B.
5. CHANNEL COMPLIANT FOR CAT6 AS PER ISO 11801.



100.0	100350	9-1427314-9
91.0	91350	9-1427314-1
90.0	90350	9-1427314-0
80.0	80350	8-1427314-0
70.0	70350	7-1427314-0
60.0	60350	6-1427314-0
50.0	50350	5-1427314-0
40.0	40350	4-1427314-0
36.0	36350	3-1427314-6
33.0	33350	3-1427314-3
30.0	30350	3-1427314-0
25.0	25350	2-1427314-5
20.0	20350	2-1427314-0
19.0	19350	1-1427314-9
16.0	16350	1-1427314-6
15.0	15350	1-1427314-5
12.0	12200	1-1427314-2
1.0	1100	1-1427314-1
10.0	10200	1-1427314-0
8.0	8200	1427314-8
7.0	7200	1427314-7
6.0	6200	1427314-6
5.0	5200	1427314-5
4.0	4200	1427314-4
3.0	3200	1427314-3
2.0	2100	1427314-2
METERS, REF	DIM A	PART NO

THIS DRAWING IS A CONTROLLED DOCUMENT.		DRN RICKY CHEN 14NOV2007	COMMSCOPE, INC.	
DIMENSIONS: mm		DR RICKY CHEN 14NOV2007	CABLE ASSY, CAT 6, UTP, BLUE SOLID, MOD PLUG, 8 POSN, TRANS SL BOOT	
TOLERANCES UNLESS OTHERWISE SPECIFIED:		APD ERIC WANG 14NOV2007	RESTRICTED TO	
0 PLC ± -	1 PLC ± -	PRODUCT SPEC	SIZE	CAGE CODE
2 PLC ± -	3 PLC ± -	APPLICATION SPEC	A2	00779
4 PLC ± -	ANGLES FINISH	WEIGHT	DRAWING NO	
		CUSTOMER DRAWING	C-1427314	
			SCALE	SHEET 1 of 1
				REV D