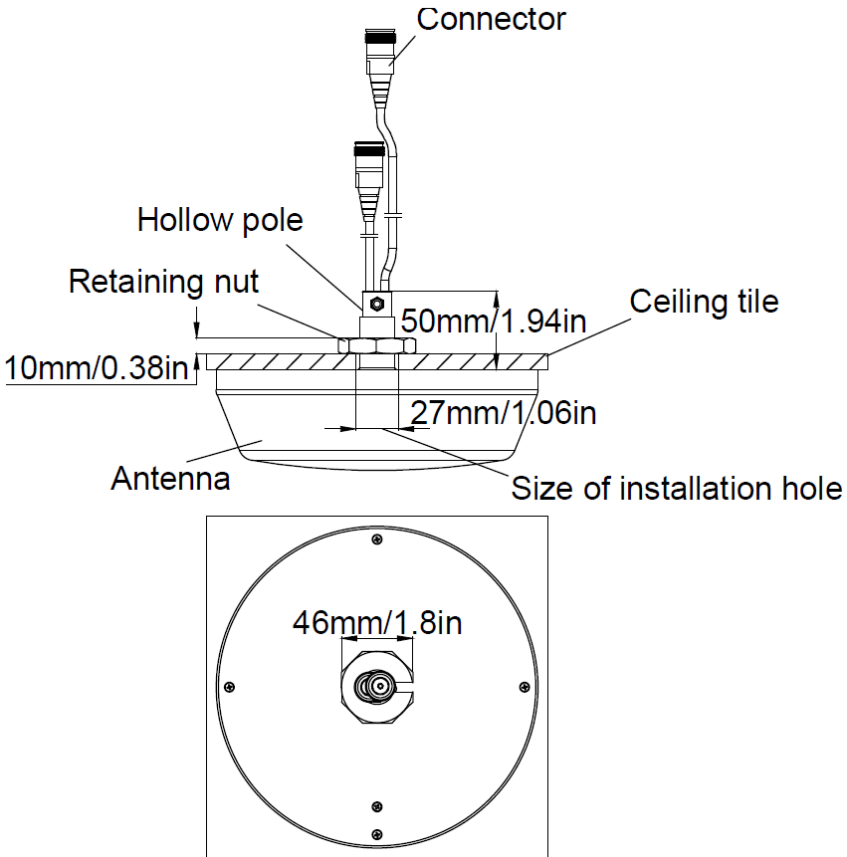


**INSTALLATION INSTRUCTION FOR
CMAx-OMF8-43-UW153**



Installation Steps

- 1) Cut a hole in the ceiling tile with the diameter shown above.
- 2) Remove the retaining nut from the back of the antenna.
- 3) Feed the pigtails of the antenna through the hole in the ceiling tile.
- 4) Re-install the retaining nut so that it is close-fitting to the ceiling tile.

Note

- 1) Cable min. bending radius: 40mm
- 2) For massive/hard ceilings, please use Hard Ceiling Mounting Kit 7705125 which serves to guide the jumper to the side. For this kit, a separate instruction (M0149AWx) is available:



© Copyright 2020 CommScope, Inc.

All rights reserved.

All information contained in this manual has been revised thoroughly. Yet CommScope accepts no liability for any omissions or faults.

CommScope reserves the right to change all hardware and software characteristics without notice.

Names of products mentioned herein are used for identification purposes only and may be trademarks and / or registered trademarks of their respective companies.

No parts of this publication may be reproduced, stored in a retrieval system, transmitted in any form or by any means, electronic, mechanical photocopying, recording or otherwise, without prior written permission of the publisher.

CommScope, 04-May-2020