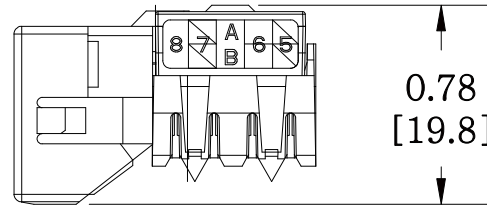
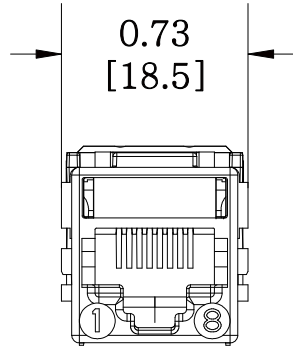
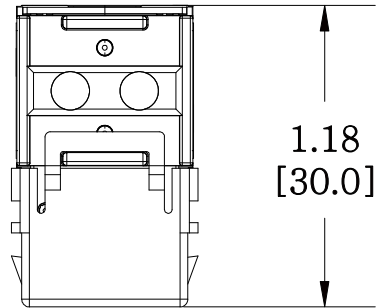


MATERIAL ID

DESCRIPTION

107322133

M1 MODULAR 6 CONDUCTOR TELECOMMUNICATIONS OUTLETS, BLACK



NOTES:

1. SEE COMMSCOPE CATALOG FOR PART NUMBER SUFFIXES TO INDICATE COLOR/PKG.
2. SEE COMMSCOPE CATALOG FOR COMPLETE LIST OF PARTS RELATED TO THE USE OF THIS PRODUCT.
3. DIMENSIONS IN PARENTHESES ARE IN METRIC.

4. PART INCLUDES:
- (1) FRAME
 - (1) MODULE
 - (1) SPRING BLOCK
 - (1) COVER
 - (2) JACKWIRE
 - (8) IDC
 - (1) LABEL
 - (1) ICONS

M1AH-003 MODULE

COMMSCOPE, INC OF NORTH CAROLINA

1	5/30/11		INITIAL ISSUE	XX	DRAWN BY DJ	
REV	DATE	ECR	DESCRIPTION	APPROVED BY	DATE 5/30/2011	DWG NO 107322133