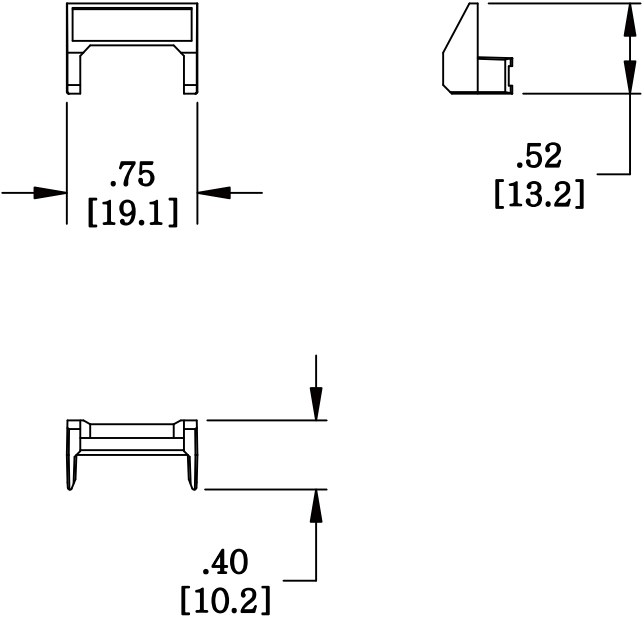


MATERIAL ID	DESCRIPTION
107296501	M60 BLANK INFORMATION OUTLET ICON INSERT,ORANGE

NOTES:

- SEE SYSTIMAX CATALOG FOR PART NUMBER SUFFIXES TO INDICATE COLOR/PKG.
- SEE SYSTIMAX CATALOG FOR COMPLETE LIST OF PARTS RELATED TO THE USE OF THIS PRODUCT.
- DIMENSIONS IN PARENTHESES ARE IN METRIC.
- PART INCLUDES:  
(1) OUTLET ICON INSERT,ORANGE



M60B-112	
<b>COMMScope, INC</b> OF NORTH CAROLINA	
<b>SYSTIMAX® SOLUTIONS</b>	
DRAWN BY AW	
DATE 05/31/2011	DWG NO 107296501

REV	DATE	ECR	DESCRIPTION	APPROVED BY
1	05/31/11		INITIAL ISSUE	