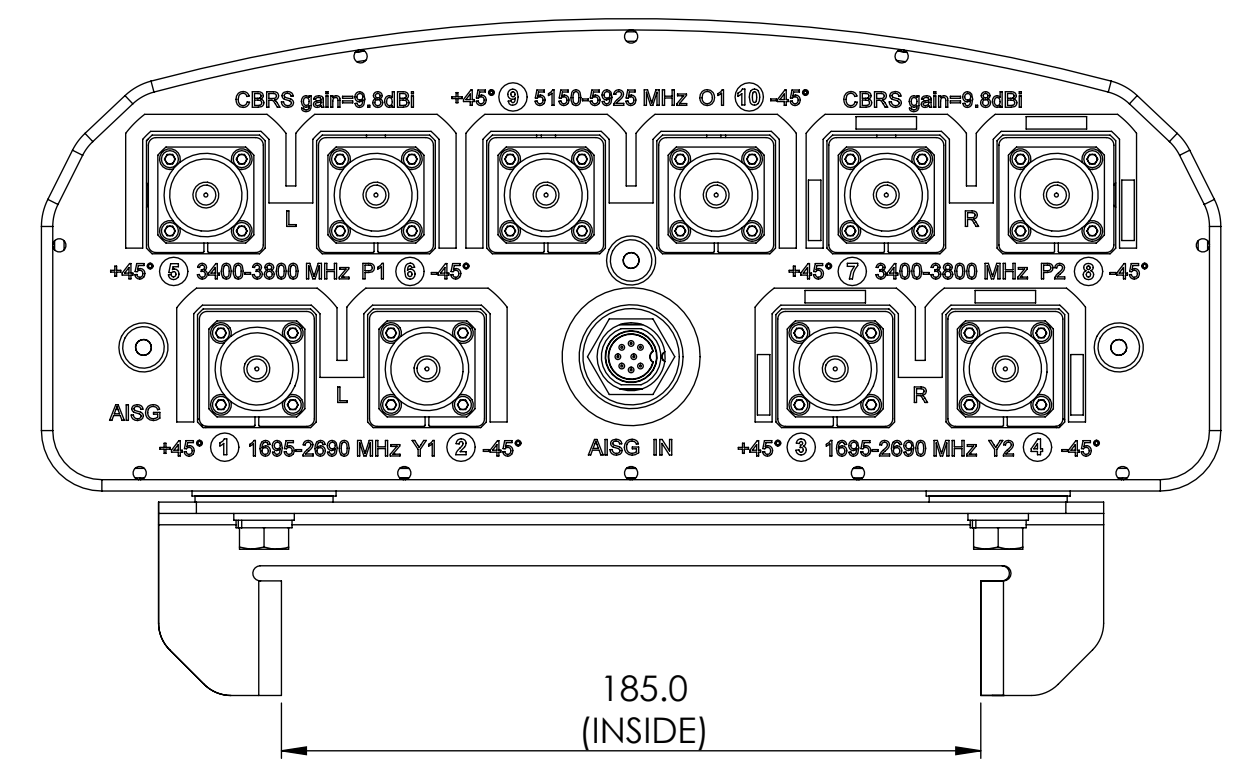


VVSSP-65S-R1BV2

DENSITY	g/mm <sup>3</sup>
MASS	grams
VOLUME	mm <sup>3</sup>
SURFACE AREA	mm <sup>2</sup>
HEIGHT	
LENGTH	
WIDTH	

© 2018 CommScope, Inc.

REVISIONS			
REV.	DESCRIPTION	DATE	APPROVED
A	ECR 8000031936: REL TO PRODUCTION PER EAO 605583.	03JAN19 RDD	AB/CHY
B	ECR 8000033658: UPDATE DRAWING WITH LATEST MODEL.	28JAN19 RDD	S.LIU/JIHE
C	ECR 8000038987: UPDATE DRAWING WITH LATEST MODEL.	15JAN20 CMY	S.LIU/HANSEN.W



**COMMSCOPE, INC. OF NORTH CAROLINA**

TOLERANCES		SAP MATERIAL MASTER	
0 PLACE X ±	2 PLACE .XX ±		
1 PLACE .X ±	ANGLES ±		
FINISH N/A		MATERIAL N/A	
<b>PRODUCT DRAWING</b>			
UNLESS OTHERWISE SPECIFIED DIMENSIONS ARE IN MILLIMETERS INTERPRET PER ISO STANDARDS HANDBOOK TECHNICAL DRAWINGS VOLUMES 1 & 2, THIRD EDITION (2002)	NAME	DATE	TITLE
	CE RDD	27DEC18	<b>VVSSP-65S-R1BV2-L</b>
	RW MC1105	01/19/2020	
	RV CHALIU	01/20/2020	
	AD HW8003	01/22/2020	
RE ZHHCHEN	01/22/2020		
ECN 8000038987-O			SCALE <b>1:2</b>
SIZE <b>A2</b>	WORK AREA 23	MODEL VERSION 03	DOCUMENT NO. <b>VVSSP-65S-R1BV2-L</b>
		REVISION RE	DRAWING VERSION 02
		REVISION D	DRAWING STATUS RE
		REVISION C	DRAWING REVISION C
			SHEET 1 OF 1