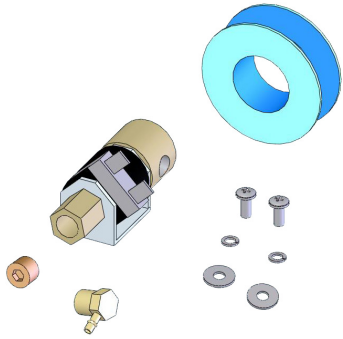


MT500B-KIT-SOLND



MT500B Solenoid Replacement Kit

OBSOLETE

This product was discontinued on: September 1, 2023

Product Classification

Product Type Solenoid kit

Packaging and Weights

Height, packed 121.92 mm | 4.8 in

Width, packed 86.36 mm | 3.4 in

Depth, packed 165.1 mm | 6.5 in

Included 1/4 in polyethylene tubing | 90° elbow fitting | Instruction sheet | PTFE tape | Pipe plug fitting | Solenoid valve

Weight, gross 0.8 kg | 1.764 lb

Weight, net 0.8 kg | 1.764 lb

Regulatory Compliance/Certifications

Agency

ISO 9001:2015

Classification

Designed, manufactured and/or distributed under this quality management system

