

# CMAX-OMH-CPUSEI53



Cell-Max™ Low PIM Omni MIMO In-building Antenna, V-POL PORT 698-960 / 1710-2700 MHz and H-POL PORT 1710-2700 MHz (LB-SISO), (HB-MIMO), N

## OBSOLETE

This product was discontinued on: July 30, 2022

### Replaced By:

CMAX-OMF8-43-UWI53 Cell-Max™ Low PIM Omni MIMO In-building Antenna, 617-6000 MHz

## Product Classification

<b>Product Type</b>	In-building antenna
<b>Product Brand</b>	Cell-Max™

## General Specifications

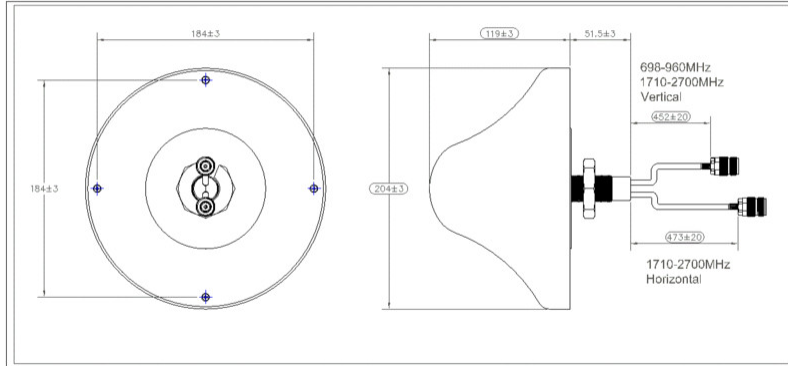
<b>Application</b>	Indoor
<b>Antenna Type</b>	Omni
<b>Antenna Array Characteristic</b>	MIMO 2x2
<b>Color</b>	White (RAL 9016)
<b>Mounting</b>	Thru-hole ceiling mount (optional)
<b>Number of Ports</b>	2
<b>Pigtail Cable</b>	670-141SXE, plenum rated
<b>Radome Material</b>	ABS
<b>RF Connector Interface</b>	N Female

## Dimensions

<b>Height</b>	119 mm   4.685 in
<b>Pigtail Length</b>	500 mm   19.685 in
<b>Outer Diameter</b>	204 mm   8.031 in

# CMAX-OMH-CPUSEI53

## Outline Drawing



## Electrical Specifications

<b>Impedance</b>	50 ohm
<b>Operating Frequency Band</b>	1710 – 2700 MHz   698 – 960 MHz
<b>Polarization at Frequency Band</b>	Horizontal/Vertical @ 1710–2700 MHz   Vertical @ 698–800 MHz   Vertical @ 800–960 MHz
<b>Electrical Note</b>	Values typical, unless otherwise stated

## Electrical Specifications

Frequency Band, MHz	698–800	800–960	1710–2200	2200–2700
<b>Gain, dBi</b>	1.5	1.5	3.5	4.3
<b>Beamwidth, Horizontal, degrees</b>	360	360	360	360
<b>Beamwidth, Vertical, degrees</b>	60	60	42	60
<b>Isolation, Cross Polarization, dB</b>			25	25
<b>VSWR   Return loss, dB</b>	1.8 10.9	1.5 14.0	1.8 10.9	1.8 10.9
<b>PIM, 3rd Order, 2 x 20 W, dBc</b>	-153	-153	-153	-153
<b>Input Power per Port, maximum, watts</b>	50	50	50	50

## Environmental Specifications

<b>Operating Temperature</b>	-40 °C to +60 °C (-40 °F to +140 °F)
<b>Relative Humidity</b>	Up to 100%

## Packaging and Weights

# CMAX-OMH-CPU5E153

---

<b>Height, packed</b>	185 mm   7.283 in
<b>Width, packed</b>	180 mm   7.087 in
<b>Length, packed</b>	180 mm   7.087 in
<b>Weight, gross</b>	0.6 kg   1.323 lb
<b>Weight, net</b>	0.5 kg   1.102 lb

## Regulatory Compliance/Certifications

### Agency

CHINA-ROHS

ISO 9001:2015

REACH-SVHC

ROHS

UK-ROHS

### Classification

Below maximum concentration value

Designed, manufactured and/or distributed under this quality management system

Compliant as per SVHC revision on [www.commscope.com/ProductCompliance](http://www.commscope.com/ProductCompliance)

Compliant

Compliant

