



Hand Pump Dehydrator

- To meet our global customer's RoHS environmental needs, we have changed our desiccant to a cobalt-chloride free desiccant. The compliant desiccant is orange when dry and turns green when saturated

Product Classification

Product Type Dehydrator

General Specifications

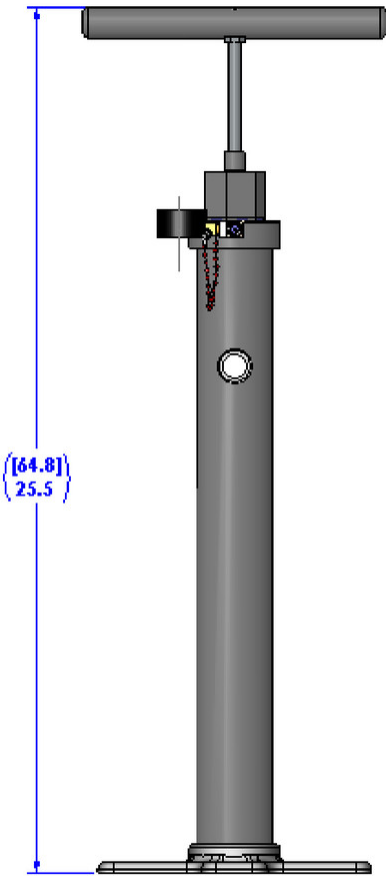
Dehydrator Type Desiccant
Desiccant Capacity 1982 liters (70 cu ft) at 80% RH, +20 °C
Dew Point -36 °C (-33 °F)
Mounting Floor
Port Count 1
Port Type Gas inlet valve

Dimensions

Product Height 660.4 mm | 26 in
Product Width 254 mm | 10 in
Product Depth 254 mm | 10 in
Volume Capacity, maximum 0.057 m³ | 1.999 ft³
Volume Capacity, minimum 0 m³ | 0 ft³

860G

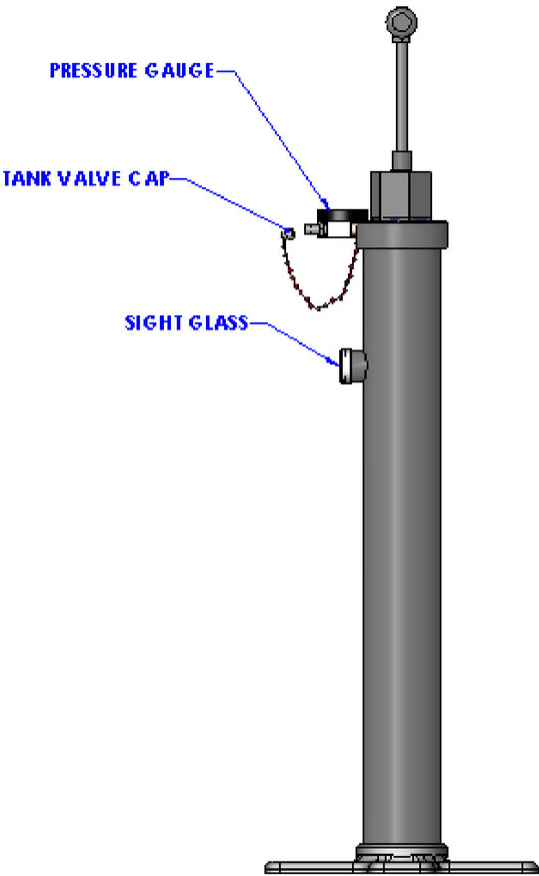
Outline Drawing–Front



860G FRONT VIEW

860G

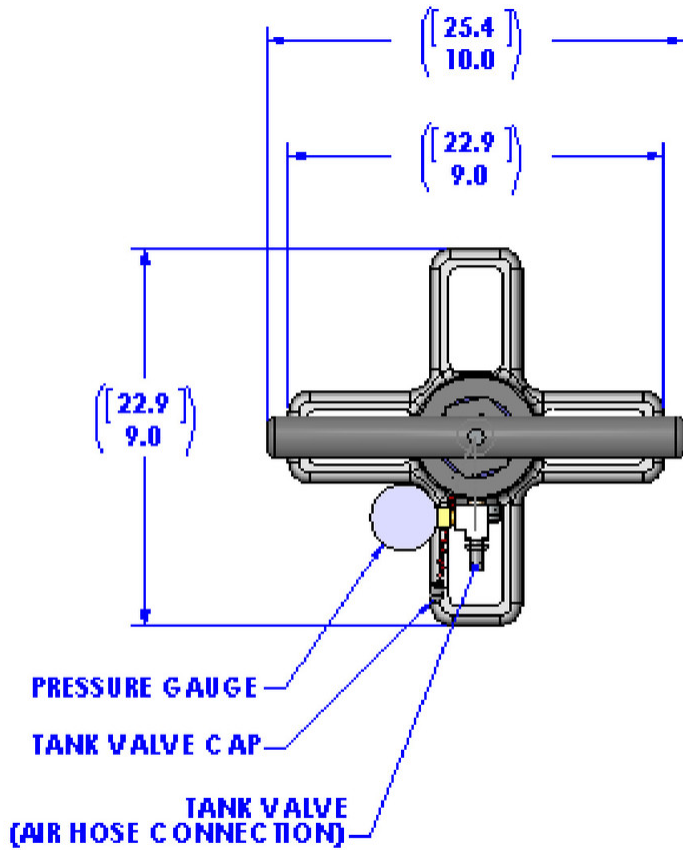
Outline Drawing–Side



860G SIDE VIEW

860G

Outline Drawing–Top



860G TOP VIEW

Environmental Specifications

Operating Temperature -15 °C to +50 °C (+5 °F to +122 °F)

Packaging and Weights

Height, packed	241 mm 9.488 in
Width, packed	241 mm 9.488 in
Depth, packed	667 mm 26.26 in
Included	Instruction sheet
Weight, gross	6.5 kg 14.33 lb
Weight, net	6.4 kg 14.11 lb

Regulatory Compliance/Certifications

Agency

ISO 9001:2015

REACH-SVHC

ROHS

**Classification**

Designed, manufactured and/or distributed under this quality management system

Compliant as per SVHC revision on www.commscope.com/ProductCompliance

Compliant