

TFAH-US6B-14



ION®-B Series High Power Remote Unit for LMR 700, LMR 800, Cellular 850, LMR 900, AWS, and PCS 1900

OBSOLETE

Replaced By:

TFAH-US4B-14	ION®-B Series High Power Remote Unit for Cellular 700, Cellular 850, AWS and PCS 1900 Extended
TFAH-US4B-34	ION®-B Series High Power Remote Unit for Cellular 700, Cellular 850, AWS and PCS 1900 Extended
TFAH-US7B-14	ION®-B Series High Power Remote Unit for Cellular 700, LMR 800, Cellular 850, LMR 900, AWS, PCS 1900, and WiMAX
TFAH-US7B/100-14	ION®-B Series High Power Remote Unit for Cellular 700, LMR 800, Cellular 850, LMR 900, AWS and PCS 1900
TFAH-US7B/100-34	ION®-B Series High Power Remote Unit for Cellular 700, LMR 800, Cellular 850, LMR 900, AWS and PCS 1900

Product Classification

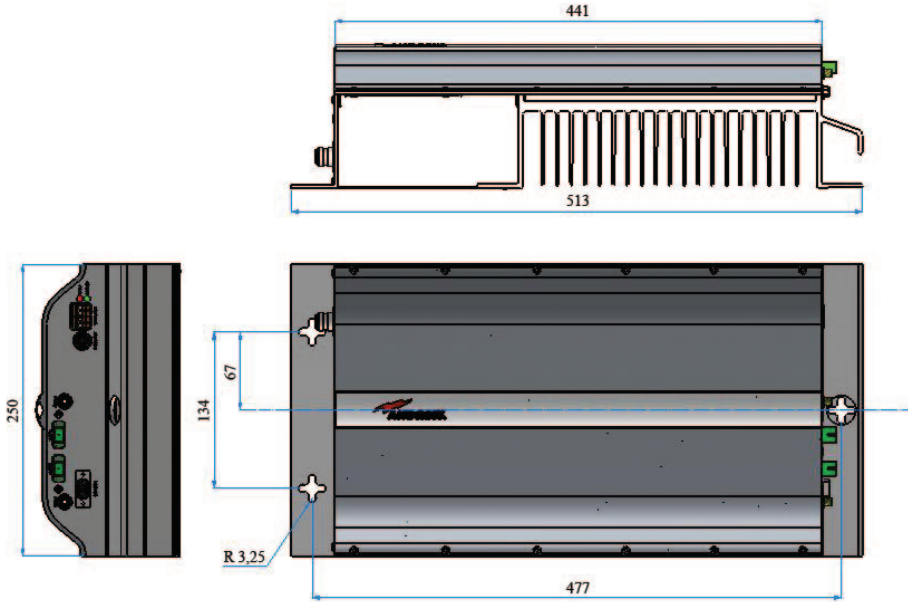
Product Type	Remote unit
Product Brand	ION®-B

General Specifications

Note	Detailed Product Specifications are available. Please contact your local CommScope representative.
Power Class	High

Dimension Drawing

TFAH-US6B-14



Electrical Specifications

Impedance	50 ohm
License Band	AWS CEL 850 LMR 700 LMR 800 LMR 900 PCS 1900 Extended
Voltage Range	85 to 265 Vac

Electrical Specifications, Rx (Uplink)

Operating Frequency Band	1710 – 1755 MHz (AWS 1700) 1850 – 1915 MHz (PCS 1900 Extended) 799 – 806 MHz (LMR 700) 806 – 824 MHz (LMR 800) 824 – 848.5 MHz (Cellular 850) 896.5 – 902 MHz (LMR 900)
---------------------------------	---

Electrical Specifications, Tx (Downlink)

Operating Frequency Band	1930 – 1995 MHz (PCS 1900 Extended) 2110 – 2155 MHz (AWS 1700) 769 – 775 MHz (LMR 700) 851.5 – 869 MHz (LMR 900)
---------------------------------	--

TFAH-US6B-14

800) | 869 – 893.5 MHz (Cellular 850) | 935 – 941 MHz (LMR 900)

Regulatory Compliance/Certifications

Agency

ISO 9001:2015



Classification

Designed, manufactured and/or distributed under this quality management system

Included Products

TPSN1/28-120 – Power Supply Adapter ION®-B Series Remote Units, 120 W