

C400-TMTM-30-X

CNT-400-FR CNT® Jumper with interface types TNC Male and TNC Male, 9.14 m



Product Classification

| | |
|-----------------------|------------------------|
| Product Type | Braided cable assembly |
| Product Brand | CNT® |
| Product Series | CNT-400 |

General Specifications

| | |
|---|------------------|
| Attachment, Connector A | Field attachment |
| Attachment, Connector B | Field attachment |
| Body Style, Connector A | Straight |
| Body Style, Connector B | Straight |
| Cable Family | CNT-400 |
| Interface, Connector A | TNC Male |
| Interface, Connector B | TNC Male |
| Specification Sheet Revision Level | A |

Dimensions

| | |
|---------------------|--------------------|
| Length | 9.14 m 29.987 ft |
| Nominal Size | 0.400 in |

Electrical Specifications

| | |
|-------------------------|--------|
| DTF, Connector A | -28 dB |
| DTF, Connector B | -28 dB |

Jumper Assembly Sample Label

C400-TMTM-30-X



Regulatory Compliance/Certifications

| Agency | Classification |
|---------------|--|
| ISO 9001:2015 | Designed, manufactured and/or distributed under this quality management system |

Included Products

- 400BPTM-C – TNC Male for CNT-400 braided cable
- 400BPTM-C-CR – TNC Male for CNT-400 braided cable
- 400PTM-C – TNC Male for CNT-400 braided cable
- CNT-400-FR – CNT-400-FR, CNT® 50 Ohm Braided Coaxial Cable, black non-halogenated, fire retardant polyolefin jacket, Dca s2 d2 Compliant

400BPTM-C



TNC Male for CNT-400 braided cable

Product Classification

| | |
|----------------------|-------------------------|
| Product Type | Braided cable connector |
| Product Brand | CNT® ConQuest® |

General Specifications

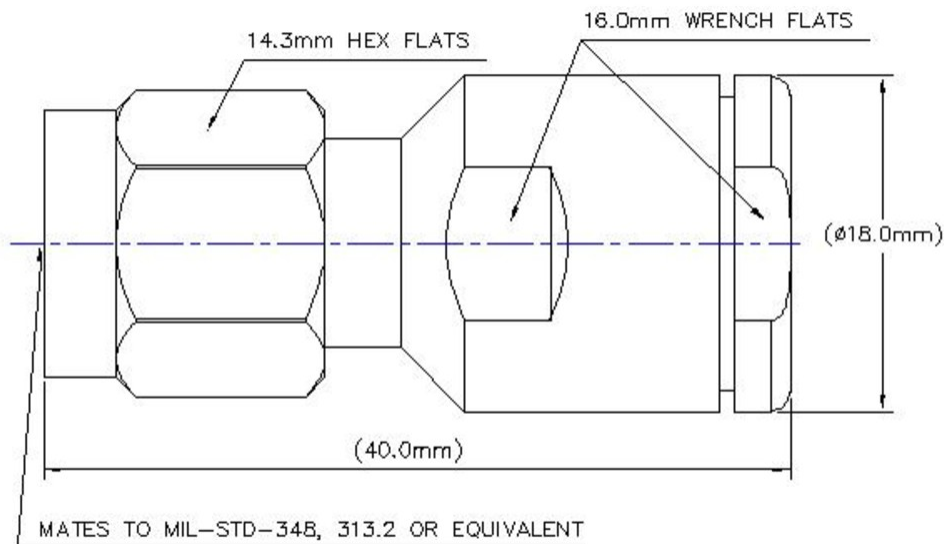
| | |
|--|------------|
| Body Style | Straight |
| Inner Contact Attachment Method | Captivated |
| Inner Contact Plating | Gold |
| Interface | TNC Male |
| Outer Contact Attachment Method | Clamp |
| Outer Contact Plating | Trimetal |

Dimensions

| | |
|---------------------|---------------------|
| Length | 41.24 mm 1.624 in |
| Diameter | 18 mm 0.709 in |
| Nominal Size | 0.405 in |

400BPTM-C

Outline Drawing



Electrical Specifications

| | |
|---|--------------|
| Insertion Loss, typical | 0.05 dB |
| Cable Impedance | 50 ohm |
| Connector Impedance | 50 ohm |
| dc Test Voltage | 1500 V |
| Inner Contact Resistance, maximum | 1.5 mOhm |
| Insulation Resistance, minimum | 5000 MOhm |
| Operating Frequency Band | 0 – 6000 MHz |
| Outer Contact Resistance, maximum | 0.4 mOhm |
| Peak Power, maximum | 5 kW |
| RF Operating Voltage, maximum (vrms) | 500 V |

VSWR/Return Loss

| Frequency Band | VSWR | Return Loss (dB) |
|-----------------------|-------------|-------------------------|
| 0–3000 MHz | 1.046 | 32.96 |
| 3000–6000 MHz | 1.18 | 22 |

Mechanical Specifications

400BPTM-C

| | |
|--|------------------------|
| Connector Retention Tensile Force | 330 N 74.187 lbf |
| Connector Retention Torque | 0.56 N-m 4.956 in lb |
| Coupling Nut Proof Torque | 1.7 N-m 15.046 in lb |
| Coupling Nut Proof Torque Method | IEC 61169-17:9.3.6 |
| Coupling Nut Retention Force | 445 N 100.04 lbf |
| Coupling Nut Retention Force Method | IEC 61169-17:9.3.11 |
| Interface Durability | 500 cycles |
| Interface Durability Method | IEC 61169-17:9.5 |
| Mechanical Shock Test Method | IEC 60068-2-27 |

Environmental Specifications

| | |
|---|---------------------------------------|
| Operating Temperature | -40 °C to +85 °C (-40 °F to +185 °F) |
| Storage Temperature | -65 °C to +125 °C (-85 °F to +257 °F) |
| Attenuation, Ambient Temperature | 20 °C 68 °F |
| Average Power, Ambient Temperature | 40 °C 104 °F |
| Average Power, Inner Conductor Temperature | 100 °C 212 °F |
| Climatic Sequence Test Method | IEC 60068-1 |
| Corrosion Test Method | IEC 60068-2-11 |
| Damp Heat Steady State Test Method | IEC 60068-2-3 |
| Immersion Depth | 1 m |
| Immersion Test Mating | Mated |
| Immersion Test Method | IEC 60529:2001, IP68 |
| Thermal Shock Test Method | IEC 60068-2-14 |
| Vibration Test Method | IEC 60068-2-6 |

Packaging and Weights

| | |
|--------------------|--------------------|
| Weight, net | 41.85 g 0.092 lb |
|--------------------|--------------------|

Regulatory Compliance/Certifications

| Agency | Classification |
|---------------|--|
| CHINA-ROHS | Below maximum concentration value |
| ISO 9001:2015 | Designed, manufactured and/or distributed under this quality management system |
| REACH-SVHC | Compliant as per SVHC revision on www.commscope.com/ProductCompliance |

400BPTM-C

ROHS Compliant

UK-ROHS Compliant



* Footnotes

Insertion Loss, typical $0.05\sqrt{\text{freq}}$ (GHz) (not applicable for elliptical waveguide)

Immersion Depth Immersion at specified depth for 24 hours

400BPTM-C-CR



TNC Male for CNT-400 braided cable

Product Classification

| | |
|----------------------|-------------------------|
| Product Type | Braided cable connector |
| Product Brand | CNT® ConQuest® |

General Specifications

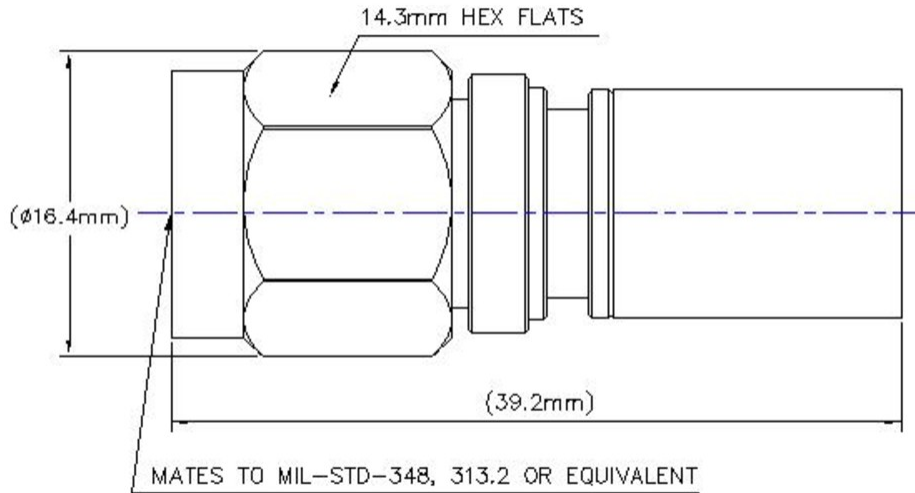
| | |
|--|------------|
| Body Style | Straight |
| Inner Contact Attachment Method | Captivated |
| Inner Contact Plating | Silver |
| Interface | TNC Male |
| Outer Contact Attachment Method | Crimp |
| Outer Contact Plating | Trimetal |

Dimensions

| | |
|---------------------|---------------------|
| Length | 40.74 mm 1.604 in |
| Diameter | 16 mm 0.63 in |
| Nominal Size | 0.405 in |

400BPTM-C-CR

Outline Drawing



Electrical Specifications

| | |
|---|--------------|
| Insertion Loss, typical | 0.05 dB |
| Cable Impedance | 50 ohm |
| Connector Impedance | 50 ohm |
| dc Test Voltage | 1500 V |
| Inner Contact Resistance, maximum | 1.5 mOhm |
| Insulation Resistance, minimum | 5000 MOhm |
| Operating Frequency Band | 0 – 6000 MHz |
| Outer Contact Resistance, maximum | 0.4 mOhm |
| Peak Power, maximum | 5 kW |
| RF Operating Voltage, maximum (vrms) | 500 V |

VSWR/Return Loss

| Frequency Band | VSWR | Return Loss (dB) |
|-----------------------|-------------|-------------------------|
| 0–3000 MHz | 1.046 | 32.96 |
| 3000–6000 MHz | 1.18 | 22 |

Mechanical Specifications

400BPTM-C-CR

| | |
|--|------------------------|
| Connector Retention Tensile Force | 330 N 74.187 lbf |
| Connector Retention Torque | 0.56 N-m 4.956 in lb |
| Coupling Nut Proof Torque | 1.7 N-m 15.046 in lb |
| Coupling Nut Proof Torque Method | IEC 61169-17:9.3.6 |
| Coupling Nut Retention Force | 445 N 100.04 lbf |
| Coupling Nut Retention Force Method | IEC 61169-17:9.3.11 |
| Interface Durability | 500 cycles |
| Interface Durability Method | IEC 61169-17:17 |
| Mechanical Shock Test Method | IEC 60068-2-27 |

Environmental Specifications

| | |
|---|---------------------------------------|
| Operating Temperature | -40 °C to +85 °C (-40 °F to +185 °F) |
| Storage Temperature | -65 °C to +125 °C (-85 °F to +257 °F) |
| Attenuation, Ambient Temperature | 20 °C 68 °F |
| Average Power, Ambient Temperature | 40 °C 104 °F |
| Average Power, Inner Conductor Temperature | 100 °C 212 °F |
| Climatic Sequence Test Method | IEC 60068-1 |
| Corrosion Test Method | IEC 60068-2-11 |
| Damp Heat Steady State Test Method | IEC 60068-2-3 |
| Thermal Shock Test Method | IEC 60068-2-14 |
| Vibration Test Method | IEC 60068-2-6 |
| Water Jetting Test Mating | Mated |
| Water Jetting Test Method | IEC 60529:2001, IP65 |

Packaging and Weights

| | |
|--------------------|--------------------|
| Weight, net | 21.52 g 0.047 lb |
|--------------------|--------------------|

Regulatory Compliance/Certifications

| Agency | Classification |
|---------------|--|
| CHINA-ROHS | Below maximum concentration value |
| ISO 9001:2015 | Designed, manufactured and/or distributed under this quality management system |
| REACH-SVHC | Compliant as per SVHC revision on www.commscope.com/ProductCompliance |
| ROHS | Compliant |
| UK-ROHS | Compliant/Exempted |

400BPTM-C-CR



* Footnotes

Insertion Loss, typical $0.05\sqrt{\text{freq}}$ (GHz) (not applicable for elliptical waveguide)

400PTM-C



TNC Male for CNT-400 braided cable

Product Classification

| | |
|----------------------|-------------------------|
| Product Type | Braided cable connector |
| Product Brand | CNT® |

General Specifications

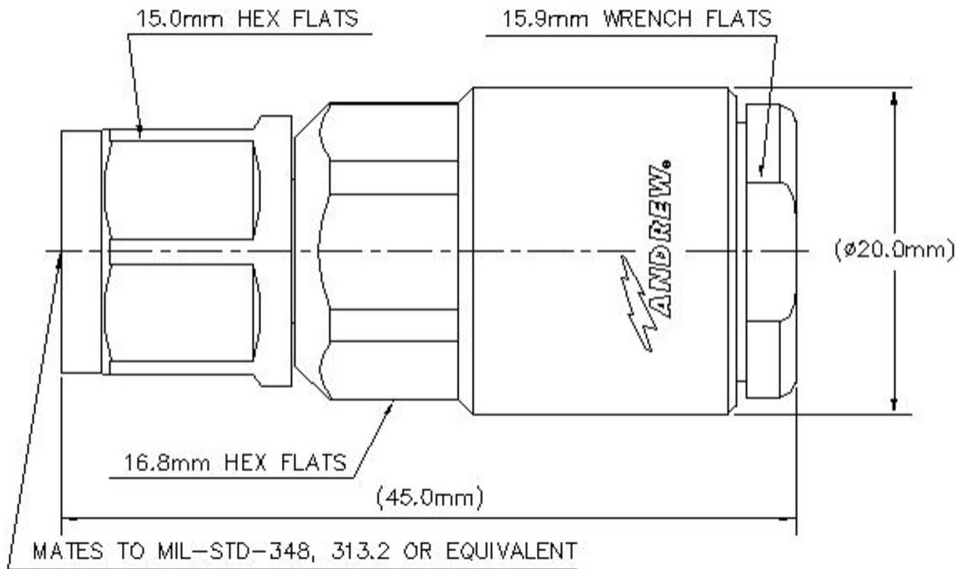
| | |
|--|------------|
| Body Style | Straight |
| Inner Contact Attachment Method | Captivated |
| Inner Contact Plating | Gold |
| Interface | TNC Male |
| Outer Contact Attachment Method | Clamp |
| Outer Contact Plating | Trimetal |

Dimensions

| | |
|---------------------|--------------------|
| Width | 20 mm 0.787 in |
| Length | 44.95 mm 1.77 in |
| Diameter | 20 mm 0.787 in |
| Nominal Size | 0.405 in |

Outline Drawing

400PTM-C



Electrical Specifications

| | |
|---|-------------------|
| Insertion Loss, typical | 0.05 dB |
| Average Power at Frequency | 580.0 W @ 900 MHz |
| Cable Impedance | 50 ohm |
| Connector Impedance | 50 ohm |
| dc Test Voltage | 1500 V |
| Inner Contact Resistance, maximum | 1.5 mOhm |
| Insulation Resistance, minimum | 5000 MOhm |
| Operating Frequency Band | 0 – 6000 MHz |
| Outer Contact Resistance, maximum | 0.4 mOhm |
| Peak Power, maximum | 5 kW |
| RF Operating Voltage, maximum (vrms) | 500 V |

VSWR/Return Loss

| Frequency Band | VSWR | Return Loss (dB) |
|----------------|-------|------------------|
| 0–3000 MHz | 1.046 | 32.96 |
| 3000–6000 MHz | 1.18 | 22 |

Mechanical Specifications

| | |
|--|--------------------|
| Connector Retention Tensile Force | 330 N 74.187 lbf |
|--|--------------------|

400PTM-C

| | |
|--|------------------------|
| Connector Retention Torque | 0.56 N-m 4.956 in lb |
| Coupling Nut Proof Torque | 1.7 N-m 15.046 in lb |
| Coupling Nut Proof Torque Method | IEC 61169-17:9.3.6 |
| Coupling Nut Retention Force | 445 N 100.04 lbf |
| Coupling Nut Retention Force Method | IEC 61169-17:9.3.11 |
| Interface Durability | 500 cycles |
| Interface Durability Method | IEC 61169-17:17 |
| Mechanical Shock Test Method | IEC 60068-2-27 |

Environmental Specifications

| | |
|---|---------------------------------------|
| Operating Temperature | -40 °C to +85 °C (-40 °F to +185 °F) |
| Storage Temperature | -65 °C to +125 °C (-85 °F to +257 °F) |
| Attenuation, Ambient Temperature | 20 °C 68 °F |
| Average Power, Ambient Temperature | 40 °C 104 °F |
| Average Power, Inner Conductor Temperature | 100 °C 212 °F |
| Climatic Sequence Test Method | IEC 60068-1 |
| Corrosion Test Method | IEC 60068-2-11 |
| Damp Heat Steady State Test Method | IEC 60068-2-3 |
| Immersion Depth | 1 m |
| Immersion Test Mating | Mated |
| Immersion Test Method | IEC 60529:2001, IP68 |
| Thermal Shock Test Method | IEC 60068-2-14 |
| Vibration Test Method | IEC 60068-2-6 |

Packaging and Weights

| | |
|--------------------|--------------------|
| Weight, net | 44.22 g 0.097 lb |
|--------------------|--------------------|

Regulatory Compliance/Certifications

| Agency | Classification |
|---------------|--|
| ISO 9001:2015 | Designed, manufactured and/or distributed under this quality management system |

* Footnotes

| | |
|--------------------------------|---|
| Insertion Loss, typical | 0.05√freq (GHz) (not applicable for elliptical waveguide) |
|--------------------------------|---|

400PTM-C

Immersion Depth

Immersion at specified depth for 24 hours

CNT-400-FR

CNT-400-FR, CNT® 50 Ohm Braided Coaxial Cable, black non-halogenated, fire retardant polyolefin jacket, Dca s2 d2 Compliant



Product Classification

| | |
|-----------------------|-----------------------|
| Product Type | Braided coaxial cable |
| Product Brand | CNT® |
| Product Series | CNT-400 |

General Specifications

| | |
|-----------------------|---------|
| Braid Coverage | 90 % |
| Cable Type | CNT-400 |
| Jacket Color | Black |

Dimensions

| | |
|---------------------------------|---------------------|
| Diameter Over Dielectric | 7.24 mm 0.285 in |
| Diameter Over Jacket | 10.29 mm 0.405 in |
| Diameter Over Tape | 7.391 mm 0.291 in |
| Inner Conductor OD | 2.74 mm 0.108 in |
| Outer Conductor OD | 8.08 mm 0.318 in |
| Nominal Size | 0.400 in |

Electrical Specifications

| | |
|--|-------------------------------|
| Cable Impedance | 50 ohm |
| Capacitance | 78 pF/m 23.774 pF/ft |
| dc Resistance, Inner Conductor | 4.49 ohms/km 1.369 ohms/kft |
| dc Resistance, Outer Conductor | 5.61 ohms/km 1.71 ohms/kft |
| dc Test Voltage | 2500 V |
| Jacket Spark Test Voltage (rms) | 4000 V |

CNT-400-FR

| | |
|---------------------------------|---------------|
| Maximum Frequency | 16.2 GHz |
| Operating Frequency Band | 30 – 6000 MHz |
| Peak Power | 16 kW |
| Shielding Effectiveness | 90 dB |
| Velocity | 85 % |

Attenuation

| Frequency (MHz) | Attenuation (dB/100 m) | Attenuation (dB/100 ft) |
|------------------------|-------------------------------|--------------------------------|
| 30.0 | 2.49 | 0.76 |
| 50.0 | 3.18 | 0.97 |
| 150.0 | 4.92 | 1.5 |
| 220.0 | 6.23 | 1.9 |
| 450.0 | 8.86 | 2.7 |
| 900.0 | 12.8 | 3.9 |
| 1500.0 | 16.7 | 5.1 |
| 1800.0 | 18.4 | 5.6 |
| 2000.0 | 19.4 | 5.9 |
| 2400.0 | 21.65 | 6.6 |
| 2500.0 | 22 | 6.7 |
| 3000.0 | 24.6 | 7.5 |
| 4000.0 | 28.87 | 8.8 |
| 4500.0 | 30.84 | 9.4 |
| 5000.0 | 32.81 | 10 |
| 5200.0 | 33.46 | 10.2 |
| 5500.0 | 34.78 | 10.6 |
| 5800.0 | 35.76 | 10.9 |
| 6000.0 | 36.42 | 11.1 |

Material Specifications

| | |
|---------------------------------|--|
| Braid Material | Tinned copper |
| Dielectric Material | Foam PE |
| Jacket Material | Non-halogenated, fire retardant polyolefin |
| Inner Conductor Material | Copper-clad aluminum wire |
| Shield Tape Material | Aluminum |

CNT-400-FR

Mechanical Specifications

| | |
|---|--------------------------|
| Minimum Bend Radius, single Bend | 25.4 mm 1 in |
| Tensile Strength | 73 kg 160.937 lb |
| Bending Moment | 0.7 N-m 6.196 in lb |
| Flat Plate Crush Strength | 0.7 kg/mm 39.198 lb/in |

Environmental Specifications

| | |
|---|--------------------------------------|
| Installation temperature | -40 °C to +60 °C (-40 °F to +140 °F) |
| Operating Temperature | -40 °C to +60 °C (-40 °F to +140 °F) |
| Storage Temperature | -40 °C to +60 °C (-40 °F to +140 °F) |
| EN50575 CPR Cable EuroClass Fire Performance | Dca |
| EN50575 CPR Cable EuroClass Smoke Rating | s2 |
| EN50575 CPR Cable EuroClass Droplets Rating | d2 |
| Fire Retardancy Test Method | UL VW1/CATVX |
| Smoke Index Test Method | IEC 61034 |
| Toxicity Index Test Method | IEC 60754-2 |

Packaging and Weights

| | |
|-----------------------|-------------------------|
| Cable weight | 0.07 kg/m 0.047 lb/ft |
| Packaging Type | Reel |

Regulatory Compliance/Certifications

| Agency | Classification |
|---------------|--|
| CENELEC | EN 50575 compliant, Declaration of Performance (DoP) available |
| CHINA-ROHS | Below maximum concentration value |
| ISO 9001:2015 | Designed, manufactured and/or distributed under this quality management system |
| REACH-SVHC | Compliant as per SVHC revision on www.commscope.com/ProductCompliance |
| ROHS | Compliant |
| UK-ROHS | Compliant |

