

## Seal Kits for BUDI Enclosures

### Ordering Guide

---

#### Description

BUDI is a product range of compact, wall mountable fiber enclosures for indoor and outdoor use. They are specifically designed for fast deployment and easy customer connection. The FIST management system is a proven CommScope technology for optimal fiber organization and splicing. In combination with a patch panel, this system offers ultimate flexibility.

Available with splicing and/or patching capabilities, high connector density, small and larger footprints, the BUDI product range offers flexible solutions for a wide range of applications in the access network.

#### Sealing

CommScope expertise in sealing and gel technology has been used to create end-to-end network solutions that can withstand the harsh conditions of the outside plant environment.

The seal kits described in this document enable network operators to perform fast and easy installations of different types and sizes of cables in the BUDI product range and protect their connections.

#### Ordering

- To order seal kits, please see next pages.
- Ordering information for the different building distribution enclosures can be found on the [data sheet](#) of each product
  - BUDI Splice with FIST (product sheet: tc-1160-ds)
  - BUDI Plug & Play (product sheet: tc-1161-ds)
  - BUDI Splice/Patch with FIST (product sheet: tc-1162-ds)
- If you want to order splitters, please refer to the [product sheet for Modular Wideband Couplers/Splitters for MDU Applications \(OCM6\)](#) (product sheet tc-1063-ds)

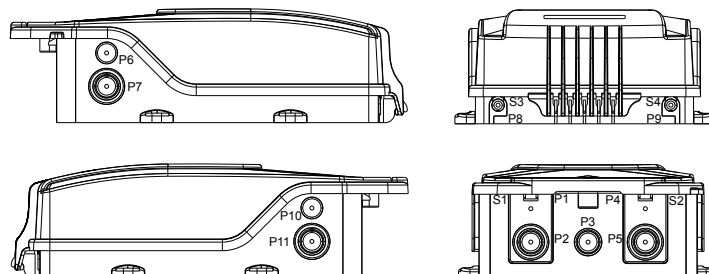
# Seal Kits for BUDI Enclosures

## Ordering Guide

### Cable Seals

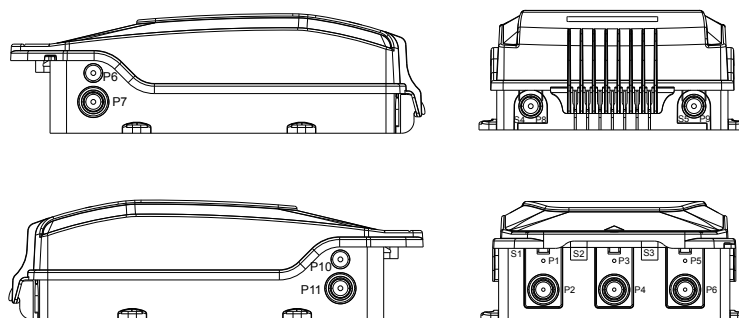
#### BUDI-1S ports

Port number	BUDI-1S
S1, S2	All BUDI-S-SEAL kits
P1, P4	n.a.
P2, P5	PG16, PG21, PG29
P3	PG16
P6, P10 (side)	PG16
P7, P11 (side)	PG16, PG21, PG29
S3, S4 (top)	no sealing kits
P8, P9 (top)	M12



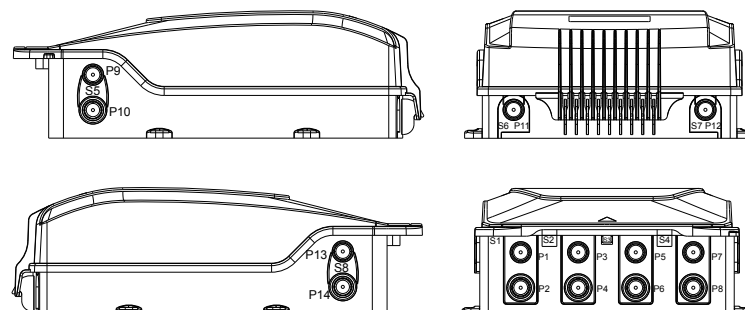
#### BUDI-S ports

Port number	BUDI-S
S1, S2, S3 (bottom)	All BUDI-S-SEAL kits
P1, P3, P5 (bottom)	n.a.
P2, P4, P6 (bottom)	PG16, PG21, PG29
P11, P7 (side)	PG16, PG21, PG29
P6, P10	PG16
S4, S5	BUDI-S/M-INLINE-SEAL
P8, P9	PG16, PG21
P8, P9 (top)	M12



#### BUDI-M ports

Port number	BUDI-M
S1, S2, S3, S4 (bottom)	All BUDI-M-SEAL kits
P1, P3, P5, P7 (bottom)	PG16, PG21
P2, P4, P6, P8 (bottom)	PG16, PG21, PG29
S6, S7 (top)	BUDI-S/M-INLINE-SEAL
P11, P12 (top)	PG16, PG21
S5, S8 (side)	n.a.
P9, P13 (side)	PG16, PG21
P10, P14 (side)	PG16, PG21, PG29



# Seal Kits for BUDI Enclosures

## Ordering Guide

### Seal Kits

	Ordering number														
	BUDI-S-SEAL-4x10	BUDI-M-SEAL-6x10	BUDI-S-SEAL-4x15	BUDI-M-SEAL-6x15	BUDI-S-SEAL-2x20	BUDI-M-SEAL-3x20	BUDI-S-SEAL-24x5	BUDI-M-SEAL-24x5	BUDI-S-SEAL-24x7	BUDI-M-SEAL-24x7	BUDI-S-PTS	BUDI-M-PTS	BUDI-S-SEAL-4x15-MINI-BO1	BUDI-M-SEAL-4x15-MINI-BO1	BUDI-S/M-INLINE-SEAL
● BUDI 1S															
● BUDI S															
● BUDI M															
Max. cable diameter in mm	10	10	15	15	20	20	5	5	7	7	5	5	8.2	8.2	18
Wrap-around	y	y	y	y	y	y	n	n	n	n	y	y	y	y	y
Loop bracket	n	n	n	n	y	y	n	n	n	n	n	n	n	n	n
IP55 (vertical mounting)	y	y	y	y	y	y	y	y	y	y	n	n	y	y	n
Type of BUDI	●●	●	●●	●	●●	●	●●	●	●●	●	●●	●	●●	●	●●



### BUDI-S-SEAL-4X10, BUDI-S-SEAL-4X15, BUDI-M-SEAL-6X10, BUDI-M-SEAL-6X15

Wrap-around cable seal kit for 4-6 cables of up to 10-15 mm diameter including:

- wraparound cable seal
- seal foam tape
- cable fixation bracket and tie wraps

On this bracket you can fix the cables with ENSTO strength member fixation devices (separate item FIST-SB/MB-STRBR-01) and with hose clamps with an 8 mm band.



### STRAIN RELIEF DEVICE, FIST-SB/MB-STRBR-01

Strain relief device (ENSTO) with double-D washer



### BUDI-S-SEAL-2X20, BUDI-M-SEAL-3X20

Wrap-around cable seal kit for 2-3 cables of up to 20 mm diameter and cable seal for looped cable installation (for BUDI-S spliced version only) including:

- wraparound cable seal
- seal foam tape
- cable fixation bracket, hose clamps and strength member fixation plates

If bigger strength members need to be fixed on this bracket, a universal strength member termination kit can be ordered separately.



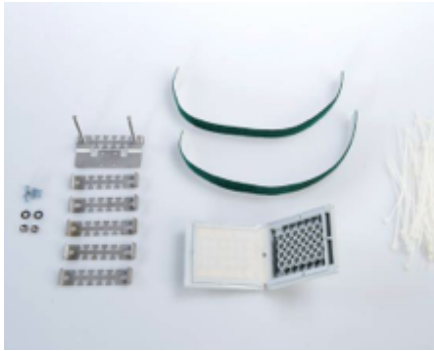
### UNIVERSAL STRENGTH MEMBER TERMINATION KIT, FACT-UCT-10

10 pc per pack

Universal strength member termination kit for metallic/non-metallic strength members between 1.5 and 5 mm diameter. Kit includes 10 universal strength member terminations, 10 screws and 1 Allen key.

# Seal Kits for BUDI Enclosures

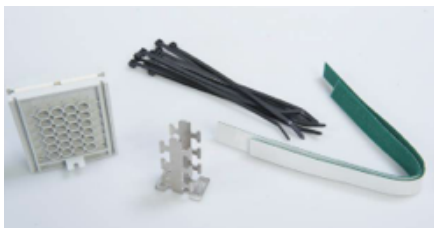
## Ordering Guide



### BUDI-S-SEAL-24X5, BUDI-M-SEAL-24X5

Push-through cable seal kit for 24 cables up to 5 mm diameter including cable fixation brackets and tie wraps.

Cables can be attached individually.



### BUDI-S-SEAL-24X7, BUDI-M-SEAL-24X7

Push-through cable seal kit for 24 cables up to 7 mm diameter including cable fixation brackets and tie wraps.

Cables are attached in groups of 4 cables

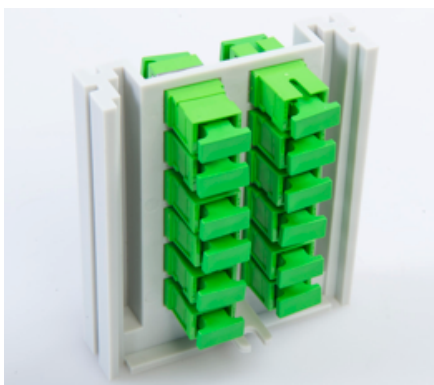


### BUDI-S-PTS, BUDI-M-PTS

Wrap-around pigtail seal for pigtails with a diameter up to 5 mm, no cable fixation.

Maximum capacity:

Cable diameter	BUDI-1S/S	BUDI-M
2.4 mm	72 (2x36) pcs	72 (2x36) pcs
3 mm	48 (2x24) pcs	72 (2x36) pcs
5 mm	16 (2x8) pcs	24 (2x12) pcs



### BUDI-S-PPS-XX XX

Seal with integrated patch panel up to 24 connections. For indoor use only, no pigtails included.

Options:

- BUDI-S-PPS-12 S1 (12 SC/UPC)
- BUDI-S-PPS-12 S2 (12 SC/APC 8°)
- BUDI-S-PPS-24 L1 (24 SC/UPC)
- BUDI-S-PPS-24 L2 (24 SC/APC 8°)

# Seal Kits for BUDI Enclosures

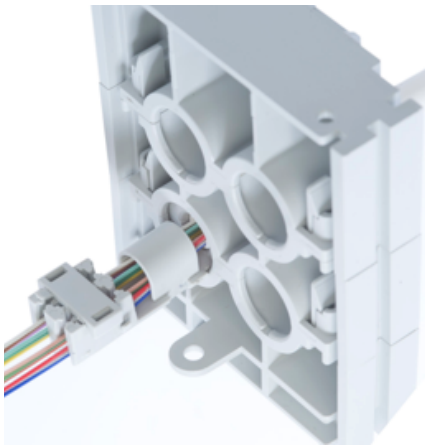
## Ordering Guide

---



### BUDI-S/M-INLINE-SEAL (NO IP55 WHEN INSTALLED)

Rubber seal allowing cable feed-through from top ports. Maximum cable diameter up to 18 mm.

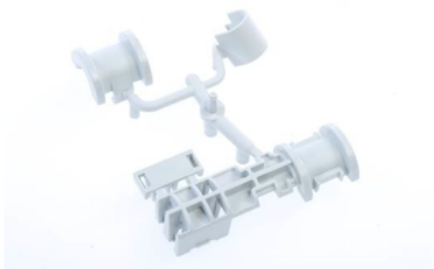


### BUDI-S-SEAL-4X15-MINI-B01, BUDI-M-SEAL-6X15-MINI-B01

Seal and component to clip around the CommScope mini-breakout cable only.

Supported cable types:

- OC-CB-MINI-B012-A-500
- OC-CB-MINI-B024-A-500



### BUDI-MINI-BO-FIX01-D15

Component to clip around the CommScope mini-breakout cable to provide cable retention and PICO element fixation when inserted in a standard BUDI seal of D 15 mm.

No seal included.

Box contains 100 clips.



---

[www.commscope.com](http://www.commscope.com)

Visit our website or contact your local CommScope representative for more information.

© 2015 CommScope, Inc. All rights reserved.

All trademarks identified by ® or ™ are registered trademarks or trademarks, respectively, of CommScope, Inc. This document is for planning purposes only and is not intended to modify or supplement any specifications or warranties relating to CommScope products or services.

PS-320004-EU 11/15 Revision © 2015, 2014