

C600-NMNM

CNT-600 CNT® Jumper with interface types N Male and N Male, variable length



OBSOLETE

This product was discontinued on: August 14, 2022

Product Classification

Product Type	Braided cable assembly
Product Brand	CNT®
Product Series	CNT-600

General Specifications

Attachment, Connector A	Field attachment
Attachment, Connector B	Field attachment
Body Style, Connector A	Straight
Body Style, Connector B	Straight
Cable Family	CNT-600
Interface, Connector A	N Male
Interface, Connector B	N Male
Specification Sheet Revision Level	A
Variable Length	For custom lengths contact 828-324-2200 or 1-800-982-1708 (toll free), or your local CommScope representative

Dimensions

Length	0 m 0 ft
Nominal Size	0.600 in

VSWR/Return Loss

C600-NMNM

Frequency Band	VSWR	Return Loss (dB)
700–3000 MHz	1.433	14.99

Jumper Assembly Sample Label



Regulatory Compliance/Certifications

Agency

ISO 9001:2015



Classification

Designed, manufactured and/or distributed under this quality management system

Included Products

- 600BPNM-C — Type N Male for CNT-600 braided cable
- CNT-600 — CNT-600, CNT® 50 Ohm Braided Coaxial Cable, black PE jacket

600BPNM-C



Type N Male for CNT-600 braided cable

Product Classification

Product Type	Braided cable connector
Product Brand	CNT®

General Specifications

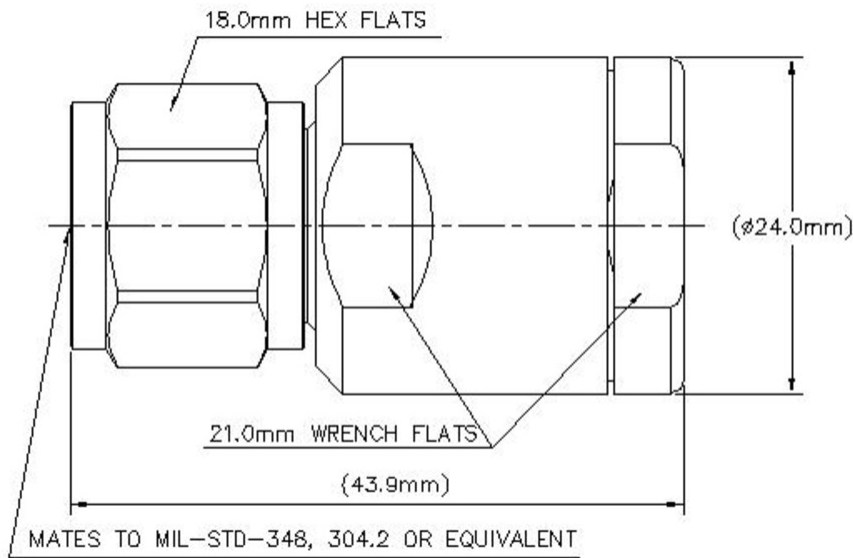
Body Style	Straight
Inner Contact Attachment Method	Captivated
Inner Contact Plating	Silver
Interface	N Male
Outer Contact Attachment Method	Clamp
Outer Contact Plating	Trimetal

Dimensions

Width	24 mm 0.945 in
Length	43.85 mm 1.726 in
Diameter	24 mm 0.945 in
Nominal Size	0.590 in

Outline Drawing

600BPNM-C



Electrical Specifications

Insertion Loss, typical	0.05 dB
Cable Impedance	50 ohm
Connector Impedance	50 ohm
dc Test Voltage	2500 V
Inner Contact Resistance, maximum	1 mOhm
Insulation Resistance, minimum	5000 MOhm
Operating Frequency Band	0 – 6000 MHz
Outer Contact Resistance, maximum	0.25 mOhm
Peak Power, maximum	10 kW
RF Operating Voltage, maximum (vrms)	707 V

VSWR/Return Loss

Frequency Band	VSWR	Return Loss (dB)
0–3000 MHz	1.052	31.92
3000–6000 MHz	1.119	25.01

Mechanical Specifications

Connector Retention Tensile Force	450 N 101.164 lbf
Connector Retention Torque	1.7 N-m 15.046 in lb

600BPNM-C

Coupling Nut Proof Torque	1.7 N-m 15.046 in lb
Coupling Nut Proof Torque Method	IEC 61169-16:9.3.6
Coupling Nut Retention Force	450 N 101.164 lbf
Coupling Nut Retention Force Method	IEC 61169-16:9.3.11
Interface Durability	500 cycles
Interface Durability Method	IEC 61169-16:9.5
Mechanical Shock Test Method	IEC 60068-2-27

Environmental Specifications

Operating Temperature	-40 °C to +85 °C (-40 °F to +185 °F)
Storage Temperature	-65 °C to +125 °C (-85 °F to +257 °F)
Attenuation, Ambient Temperature	20 °C 68 °F
Average Power, Ambient Temperature	40 °C 104 °F
Average Power, Inner Conductor Temperature	100 °C 212 °F
Climatic Sequence Test Method	IEC 60068-1
Corrosion Test Method	IEC 60068-2-11
Damp Heat Steady State Test Method	IEC 60068-2-3
Immersion Depth	1 m
Immersion Test Mating	Mated
Immersion Test Method	IEC 60529:2001, IP68
Thermal Shock Test Method	IEC 60068-2-14
Vibration Test Method	IEC 60068-2-6

Packaging and Weights

Weight, net	74.43 g 0.164 lb
--------------------	--------------------

Regulatory Compliance/Certifications

Agency	Classification
CHINA-ROHS	Below maximum concentration value
ISO 9001:2015	Designed, manufactured and/or distributed under this quality management system
REACH-SVHC	Compliant as per SVHC revision on www.commscope.com/ProductCompliance
ROHS	Compliant

600BPNM-C



* Footnotes

Insertion Loss, typical 0.05√freq (GHz) (not applicable for elliptical waveguide)

Immersion Depth Immersion at specified depth for 24 hours

CNT-600

CNT-600, CNT® 50 Ohm Braided Coaxial Cable, black PE jacket



Product Classification

Product Type	Braided coaxial cable
Product Brand	CNT®
Product Series	CNT-600

General Specifications

Braid Coverage	90 %
Cable Type	CNT-600
Jacket Color	Black

Dimensions

Diameter Over Dielectric	11.56 mm 0.455 in
Diameter Over Jacket	14.99 mm 0.59 in
Inner Conductor OD	4.47 mm 0.176 in
Outer Conductor OD	12.5 mm 0.492 in
Nominal Size	0.600 in

Electrical Specifications

Cable Impedance	50 ohm
Capacitance	76 pF/m 23.165 pF/ft
dc Resistance, Inner Conductor	1.74 ohms/km 0.53 ohms/kft
dc Resistance, Outer Conductor	5.75 ohms/km 1.753 ohms/kft
dc Test Voltage	4600 V
Jacket Spark Test Voltage (rms)	8000 V
Maximum Frequency	10.2 GHz

CNT-600

Operating Frequency Band	30 – 6000 MHz
Peak Power	40 kW
Shielding Effectiveness	90 dB
Velocity	87 %

Material Specifications

Braid Material	Tinned copper
Dielectric Material	Foam PE
Jacket Material	Non-halogenated PE
Inner Conductor Material	Copper-clad aluminum wire
Shield Tape Material	Aluminum

Mechanical Specifications

Minimum Bend Radius, single Bend	38.1 mm 1.5 in
Tensile Strength	159 kg 350.535 lb
Bending Moment	3.7 N-m 32.748 in lb
Flat Plate Crush Strength	1.1 kg/mm 61.597 lb/in

Environmental Specifications

Installation temperature	-40 °C to +85 °C (-40 °F to +185 °F)
Operating Temperature	-40 °C to +85 °C (-40 °F to +185 °F)
Storage Temperature	-70 °C to +85 °C (-94 °F to +185 °F)

Packaging and Weights

Cable weight	0.13 kg/m 0.087 lb/ft
Packaging Type	Reel

Regulatory Compliance/Certifications

Agency	Classification
CHINA-ROHS	Below maximum concentration value
ISO 9001:2015	Designed, manufactured and/or distributed under this quality management system
REACH-SVHC	Compliant as per SVHC revision on www.commscope.com/ProductCompliance
ROHS	Compliant

CNT-600

