

NDX-10HGMOU-A1250F



Fiber Indexing Terminal, 1x8 Splitter, 4x3 Port Design, 8 Forward Ports, 1 Reverse Port, Dielectric Flat Loose Tube Cable, 1250 Feet

- Fiber Indexing terminals are access terminals using hardened connectivity technology that withstand the rugged outside plant environment
- Fiber Indexing terminals eliminate splicing and use 12-strand fiber cable in a daisy-chain topology, reducing the total required cable length by up to 70%
- Hardened adapters are factory-terminated and environmentally sealed to ensure rapid plug-and-play drop cable installations

Alternative products available:

HXT-BAHEA1250FN000 NOVUX™ Hardened Indexing Terminal, Full-size Adapter ports, 12F, 1:8 Splitter, 1 Forward port, 1 Reverse port, Dielectric flat loose tube, 1250 ft/381 m HMFOC plug (female/no pin) tail

Product Classification

| | |
|------------------------------|--|
| Regional Availability | North America |
| Product Type | Access terminal, indexed with splitter |
| Product Series | NDX |

General Specifications

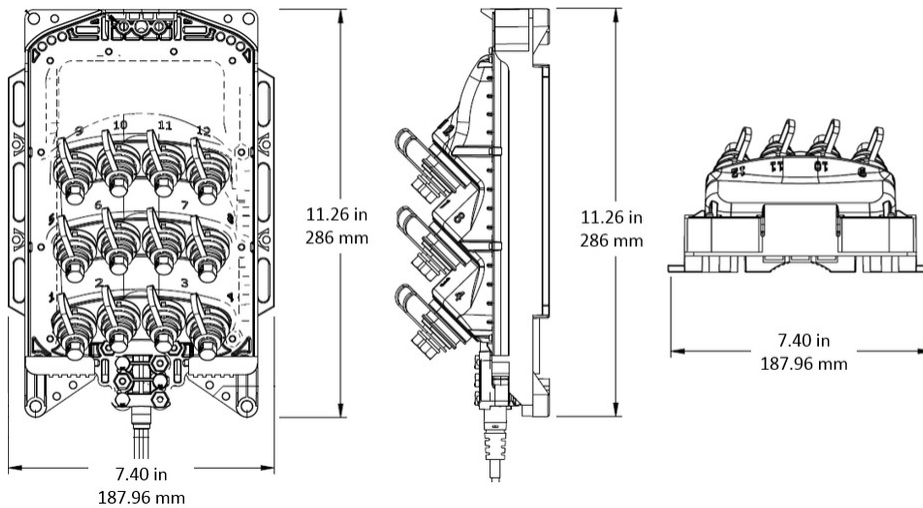
| | |
|-------------------------------|--|
| Cable Type | Dielectric - Flat - Loose Tube |
| Cable, quantity | 1 |
| Distribution Type | 1 x 8 splitter |
| Enclosure Color | Black |
| Forward Port Type | Hardened full-size SC/APC adapter |
| Forward Port, quantity | 8 |
| Mounting | Handhole Pedestal Pole |
| Port Type | Hardened multi-fiber (HMFOC) jack, male/pinned |
| Port, quantity | 1 |
| Reverse Port Type | Hardened full-size SC/APC |
| Reverse Port, quantity | 1 |
| Splitter, quantity | 1 |
| Stub Type | Hardened multi-fiber (HMFOC) plug |

NDX-10HGMOU-A1250F

Dimensions

| | |
|-----------------------------|-------------------------------|
| Height | 286 mm 11.26 in |
| Width | 187.3 mm 7.374 in |
| Depth | 95 mm 3.74 in |
| Cable Length, stub | 1250 ft (381 m) |
| Cable Outer Diameter | 4.5 x 8.1 mm (0.18 x 0.32 in) |

Dimension Drawing



Ordering Tree

NDX-10HGMOU-A1250F



Material Specifications

Enclosure Material Type

Gasketed hardened plastic

Optical Specifications

Fiber Type

G.652.D

Operating Wavelength Range

1260 – 1635 nm

Attenuation Cable Coefficient, maximum

0.30 dB/km @ 1550 nm | 0.40 dB/km @ 1310 nm

Attenuation Splitter, maximum

10.4 dB

Attenuation Terminal Connectors, maximum

0.45 dB

Directivity, minimum

60 dB

Uniformity, maximum

1 dB

Insertion Loss, Splitter, typical

10 dB

Insertion Loss, Stub Connector, maximum

0.45 dB

Insertion Loss, Stub Connector, typical

0.16 dB

Insertion Loss, Terminal Connector, typical

0.16 dB

Return Loss, Connector, minimum

65 dB

NDX-10HGMOU-A1250F

Return Loss, Single Ports, minimum 55 dB

Environmental Specifications

Operating Temperature -40 °C to +70 °C (-40 °F to +158 °F)
Relative Humidity 5%–100%, condensing
Environmental Space Above ground | Below ground | Buried
Flammability Rating UL 94 5VA
Qualification Standards IEC 60529, IP68 + 2 m waterhead | NEMA, Type 6 + 10 ft waterhead | Telcordia GR-3120-CORE | Telcordia GR-326-CORE | Telcordia GR-771-CORE
UV Resistance UV stabilized

Packaging and Weights

Included Enclosure (1) | Optical splitter (1) | Universal mounting bracket (1)
Packaging quantity 1
Packaging Type Box | Carton
Weight, without cable 1.36 kg | 2.998 lb

Regulatory Compliance/Certifications

| Agency | Classification |
|---------------|--|
| CHINA-ROHS | Below maximum concentration value |
| ISO 9001:2015 | Designed, manufactured and/or distributed under this quality management system |
| REACH-SVHC | Compliant as per SVHC revision on www.commscope.com/ProductCompliance |
| ROHS | Compliant |
| UK-ROHS | Compliant |

