

# PFC-S02L16F

---



Powered Fiber Cable, OS2, 2 Fibers, Indoor/Outdoor, 16AWG Conductor, feet

- Easy peel, stranded conductors for maximum cable flexibility and rapid access
- Polarization indentation along one side of the cable for polarity identification
- No special tools or mounting hardware required - usage of a standard "FTTH" pressure clamp for aerial installation
- Easy split of cable into three separate sections for separate routing in closures, as needed for installation
- Riser/LSZH jacket for indoor/outdoor applications

**OBSOLETE**

## Product Classification

<b>Regional Availability</b>	North America
<b>Product Type</b>	Hybrid cable, fiber and power
<b>Ordering Note</b>	Minimum order quantity is 1640 feet

## General Specifications

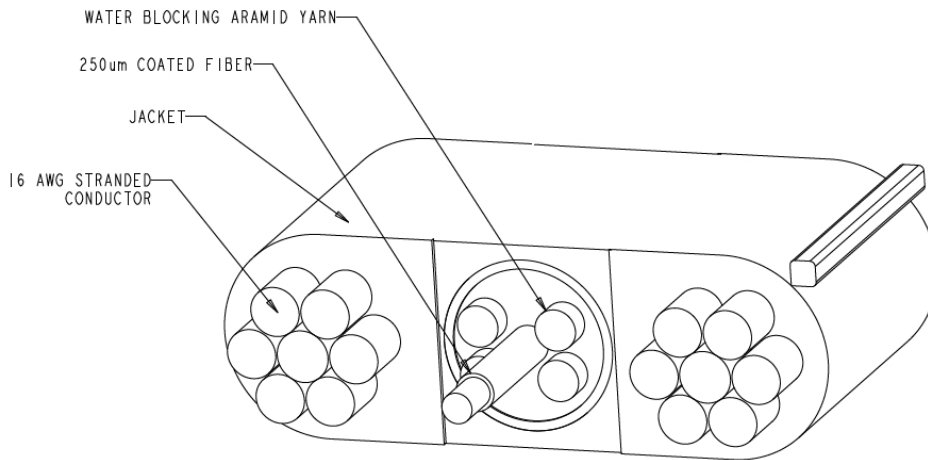
<b>Cable Type</b>	Stranded indoor/outdoor
<b>Fiber Short Description</b>	PFC-L16
<b>Jacket Color</b>	Black
<b>Total Fiber Count</b>	2

## Dimensions

<b>Height Over Jacket</b>	4.318 mm   0.17 in
<b>Width Over Jacket</b>	11.43 mm   0.45 in
<b>Conductor Gauge</b>	16 AWG

## Outline Drawing

# PFC-S02L16F



## Mechanical Specifications

<b>Minimum Bend Radius, loaded</b>	88.9 mm   3.5 in
<b>Minimum Bend Radius, unloaded</b>	45.72 mm   1.8 in
<b>Tensile Load, long term, maximum</b>	133.447 N   30 lbf
<b>Tensile Load, short term, maximum</b>	440.374 N   99 lbf
<b>Vertical Rise, maximum</b>	122.011 m   400.3 ft

## Optical Specifications

<b>Fiber Type</b>	G.657.A2, TeraSPEED®   OS2
-------------------	----------------------------

## Environmental Specifications

<b>Installation temperature</b>	-10 °C to +60 °C (+14 °F to +140 °F)
<b>Operating Temperature</b>	-40 °C to +70 °C (-40 °F to +158 °F)
<b>Storage Temperature</b>	-40 °C to +70 °C (-40 °F to +158 °F)
<b>Cable Qualification Standards</b>	Telcordia GR-20-CORE Issue 4
<b>EN50575 CPR Cable EuroClass Fire Performance</b>	Dca
<b>EN50575 CPR Cable EuroClass Smoke Rating</b>	s1a
<b>EN50575 CPR Cable EuroClass Droplets Rating</b>	d1
<b>EN50575 CPR Cable EuroClass Acidity Rating</b>	a1
<b>Environmental Space</b>	Low Smoke Zero Halogen (LSZH)   Riser

# PFC-S02L16F

---

**Flame Test Method**

IEC 60332-1-2 | IEC 60754-2 | IEC 61034-2 | NFPA 130 | UL 1666 | UL 444

**Jacket UV Resistance**

UV stabilized

## Packaging and Weights

**Cable weight**

69.944 kg/km | 47 lb/kft

## Regulatory Compliance/Certifications

**Agency**

**Classification**

CENELEC

EN 50575 compliant, Declaration of Performance (DoP) available



## Included Products

CS-8G-PFC

- Enhanced Low Macrobending, Zero Water Peak, Dispersion-Unshifted Singlemode Fiber (ITU-T G.657.A2, B2)