

PFC-304016F



Powered Fiber Cable, OM3, 4 Fibers, Outdoor, 16AWG Conductor, Printed in FEET

- Easy peel, stranded conductors for maximum cable flexibility and rapid access
- Polarization indentation along one side of the cable for polarity identification
- No special tools or mounting hardware required - usage of a standard "FTTH" pressure clamp for aerial installation
- Easy split of cable into three separate sections for separate routing in closures, as needed for installation
- Polyethylene jacket for outdoor duct or direct buried applications

OBSOLETE

Product Classification

Regional Availability	North America
Product Type	Hybrid cable, fiber and power
Ordering Note	Minimum order quantity is 1640 feet

General Specifications

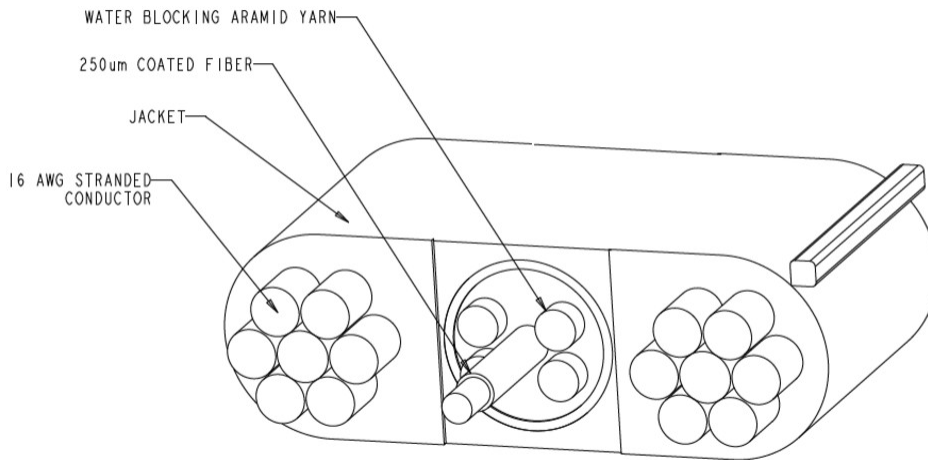
Cable Type	Stranded outdoor
Fiber Short Description	PFC-016
Jacket Color	Black
Jacket Marking	Feet
Total Fiber Count	4

Dimensions

Height Over Jacket	4.318 mm 0.17 in
Width Over Jacket	11.43 mm 0.45 in
Conductor Gauge	16 AWG

Outline Drawing

PFC-304016F



Mechanical Specifications

Minimum Bend Radius, loaded	50.8 mm 2 in
Minimum Bend Radius, unloaded	30.48 mm 1.2 in
Tensile Load, long term, maximum	133.447 N 30 lbf
Tensile Load, short term, maximum	440.374 N 99 lbf
Vertical Rise, maximum	122.011 m 400.3 ft

Optical Specifications

Fiber Type	OM3, bend insensitive
-------------------	-----------------------

Environmental Specifications

Installation temperature	-10 °C to +60 °C (+14 °F to +140 °F)
Operating Temperature	-40 °C to +70 °C (-40 °F to +158 °F)
Storage Temperature	-40 °C to +70 °C (-40 °F to +158 °F)
Cable Qualification Standards	Telcordia GR-20-CORE Issue 4
Environmental Space	Outdoor
Jacket UV Resistance	UV stabilized

Packaging and Weights

Cable weight	69.944 kg/km 47 lb/kft
---------------------	--------------------------

PFC-304016F

Included Products

- CS-5E-PFC – 50µm OM3 Bend-Insensitive Multimode Fiber