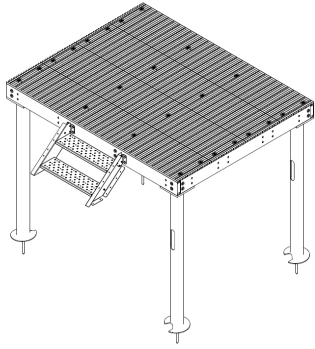


Equipment Platform, 8 ft x 10 ft, base with four 7ft x 6in OD Helicals



Product Classification

Product Type Equipment platform system

Dimensions

Length 3048.0 mm | 120.0 in
Width 2438.4 mm | 96.0 in
Height 228.6 mm | 9.0 in
Weight 913.1 kg | 2013.0 lb

Environmental Specifications

Load Capacity Up to 10,000 lb (4536 kg) loading

General Specifications

Includes Frame | Grating | Hardware | Legs
Legs, quantity 4
Material Type Hot dip galvanized steel
Package Quantity 1

Outline Drawing

Regulatory Compliance/Certifications

Agency ISO 9001:2015
Classification Designed, manufactured and/or distributed under this quality management system

