



Universal Tripod Mount, 4-1/2 in OD x 126 in pipe

Product Classification

Product Type Tripod mount

Dimensions

Height 3200.4 mm | 126.0 in
Length 1524.0 mm | 60.0 in
Pipe Outer Diameter 114.3 mm | 4 1/2 in
Weight 130.1 kg | 286.8 lb
Width 1524.0 mm | 60.0 in

Environmental Specifications

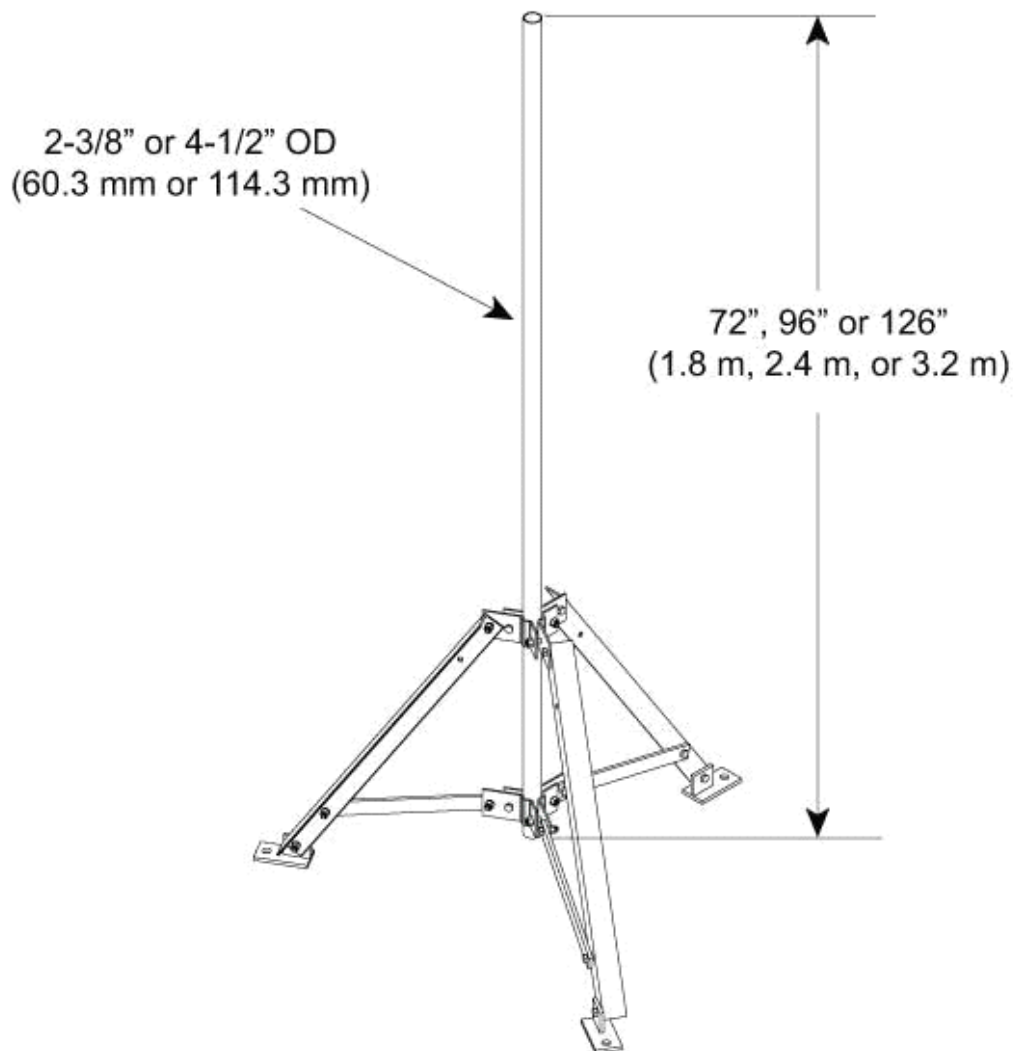
Wind Rating 85 mph (BWS) at 100 ft AGL using Exposure C per UBC

Wind Rating Test Method TIA/EIA-222

General Specifications

Mounting Surfaces
Includes Mount, with or without pipe
Material Type Hot dip galvanized steel
Note One 6 ft microwave antenna using 4-1/2 in pipe mast
Package Quantity 1
Pipe Length 3200.4 mm | 126.0 in
Pipe, quantity 1

Outline Drawing



Regulatory Compliance/Certifications

Agency

ISO 9001:2015

Classification

Designed, manufactured and/or distributed under this quality management system



TP-G412-126

Included Products

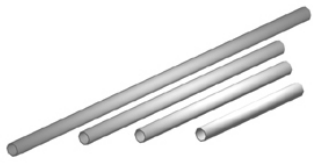
MT-539 — Plain End Pipe, 4-1/2 in OD x 126 in

TP-G412-B — Universal Tripod Mount, base only, pipe not included

* Footnotes

Wind Rating

BWS—Base Wind Speed; FBC—Florida Building Code



Plain End Pipe, 4-1/2 in OD x 126 in

Product Classification

Product Type Plain end pipe

Dimensions

Pipe Outer Diameter 114.3 mm | 4 1/2 in
Height 114.3 mm | 4.5 in
Length 3200.4 mm | 126.0 in
Weight 51.7 kg | 114.0 lb
Width 114.3 mm | 4.5 in

General Specifications

Material Type Hot dip galvanized steel
Pipe Length 3200.4 mm | 126.0 in
Includes Pipe
Package Quantity 1
Pipe, quantity 1

Regulatory Compliance/Certifications

Agency ISO 9001:2015
Classification Designed, manufactured and/or distributed under this quality management system





Universal Tripod Mount, base only, pipe not included

Product Classification

Product Type Tripod mount

Dimensions

Height 838.2 mm | 33.0 in
Length 1524.0 mm | 60.0 in
Pipe Outer Diameter 114.3 mm | 4 1/2 in
Weight 78.7 kg | 173.4 lb
Width 1524.0 mm | 60.0 in

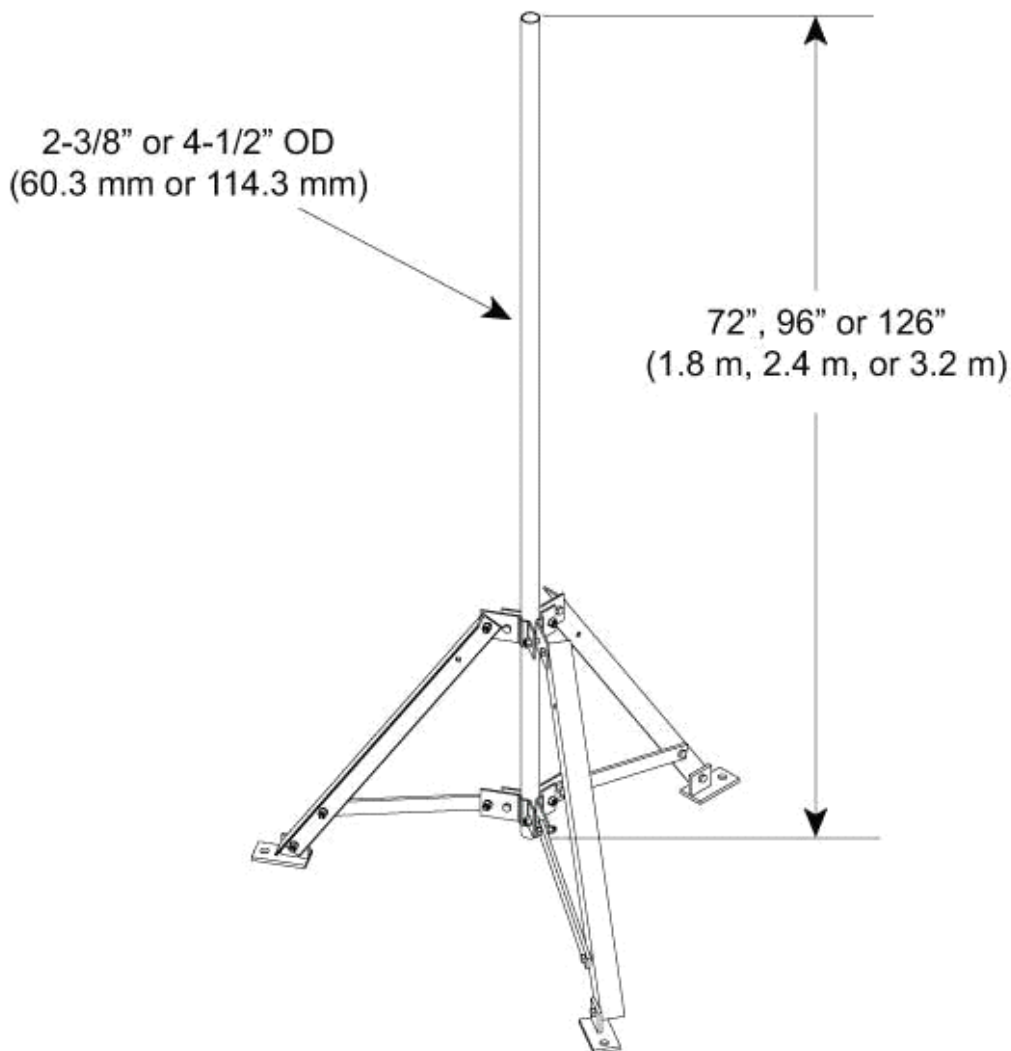
Environmental Specifications

Wind Rating 85 mph (BWS) at 100 ft AGL using Exposure C per UBC
Wind Rating Test Method TIA/EIA-222

General Specifications

Mounting Surfaces
Includes Mount, with or without pipe
Material Type Hot dip galvanized steel
Note One 6 ft microwave antenna using 4-1/2 in pipe mast
Package Quantity 1
Pipe, quantity 0

Outline Drawing



Regulatory Compliance/Certifications

Agency	Classification
ISO 9001:2015	Designed, manufactured and/or distributed under this quality management system



* Footnotes

Wind Rating

BWS—Base Wind Speed; FBC—Florida Building Code