

Equipment Platform Adjustable Leg

Product Classification

Product Type Equipment platform system

Dimensions

Length 406.4 mm | 16.0 in

Width 406.4 mm | 16.0 in

Height 685.8 mm | 27.0 in

Weight 20.4 kg | 45.0 lb

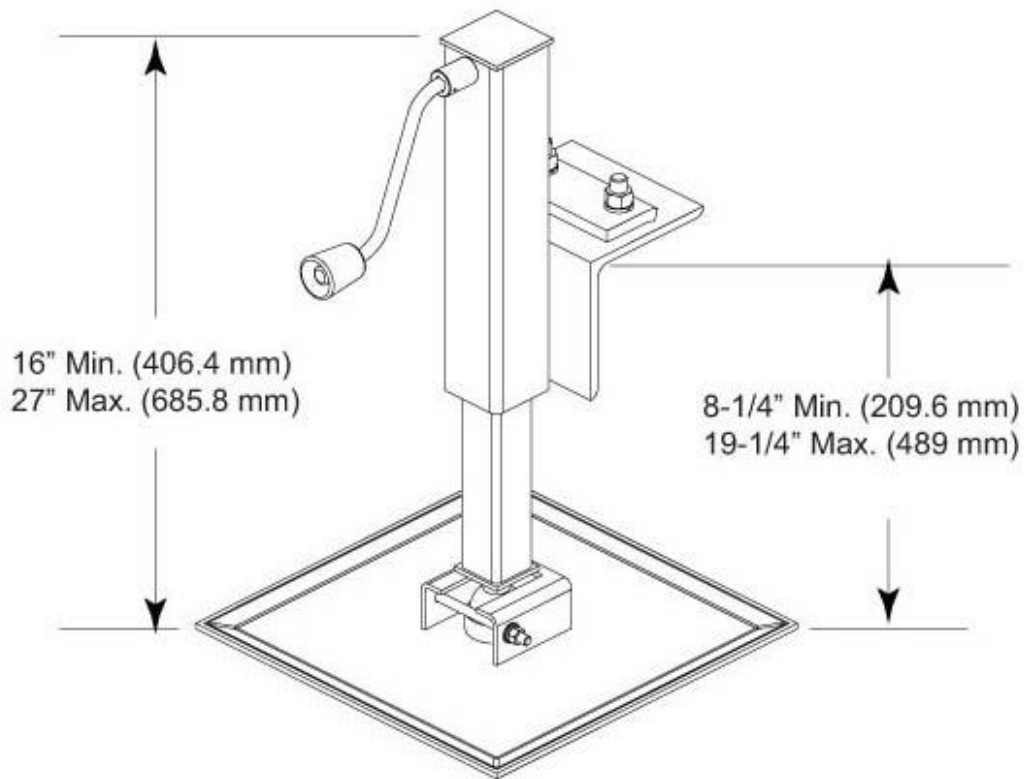
General Specifications

Includes Legs

Material Type Hot dip galvanized steel

Package Quantity 1

Outline Drawing



Regulatory Compliance/Certifications

Agency

ISO 9001:2015

Classification

Designed, manufactured and/or distributed under this quality management system

