

Climbing Ladder for EQ-P Series Platforms

Product Classification

Product Type Equipment platform system

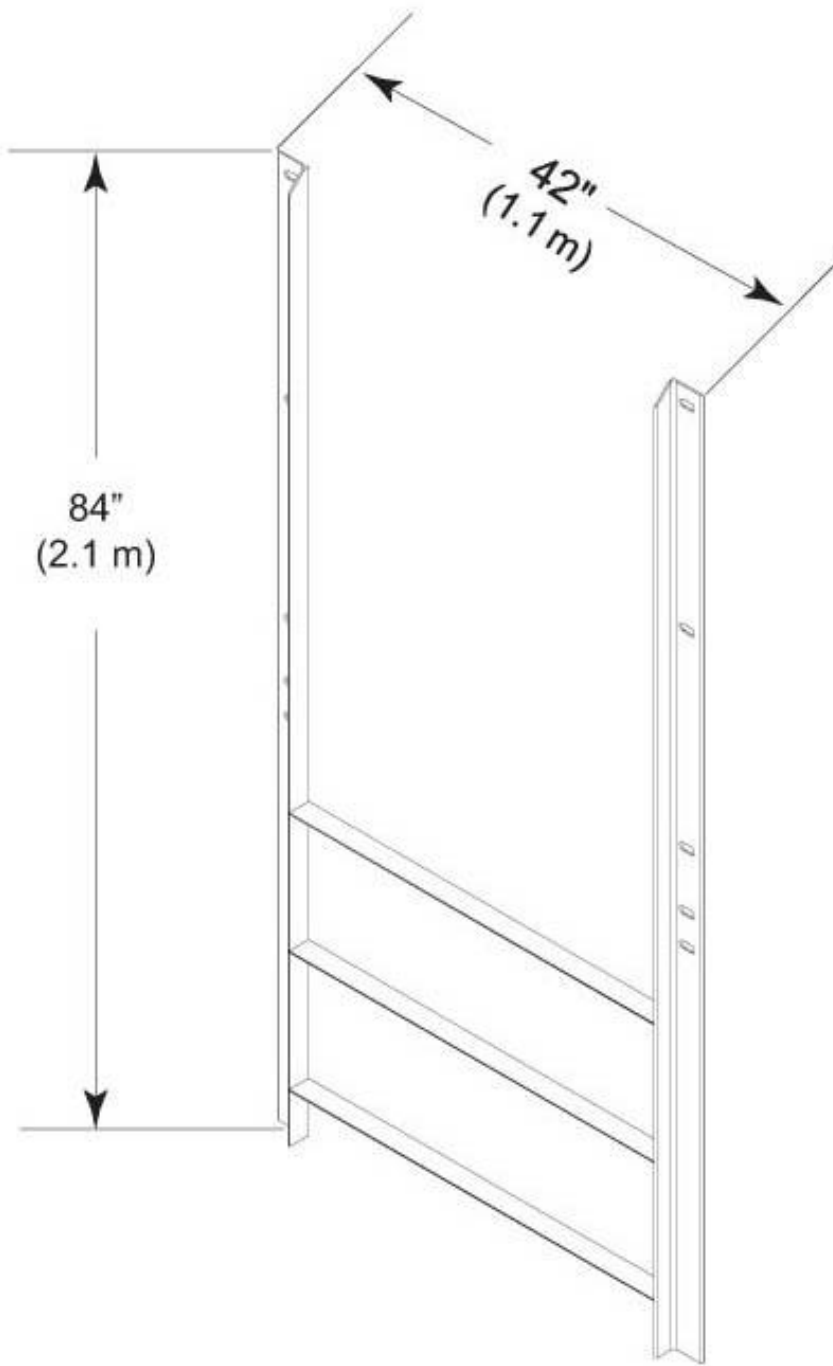
Dimensions

Length 2133.6 mm | 84.0 in
Width 1066.8 mm | 42.0 in
Height 50.8 mm | 2.0 in
Weight 29.5 kg | 65.0 lb

General Specifications

Includes Ladder
Material Type Hot dip galvanized steel
Mounting EQ series platform bases
Package Quantity 1

Outline Drawing



Regulatory Compliance/Certifications

Agency

ISO 9001:2015

Classification

Designed, manufactured and/or distributed under this quality management system

