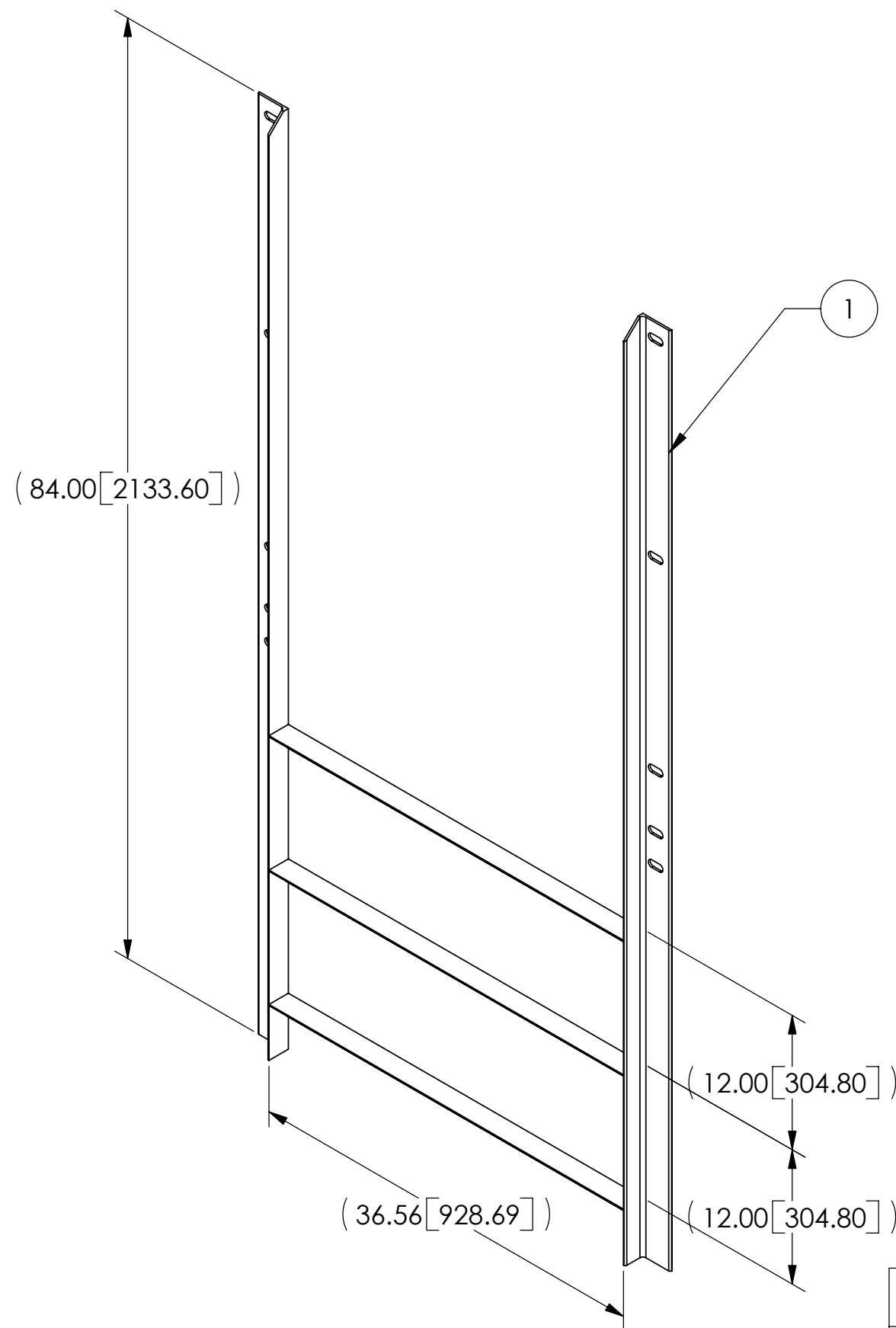


ITEM	PART NO.	DESCRIPTION	QTY.	WEIGHT
1	EQLD.01	PLATFORM LADDER	1	65.23 LBS

REVISIONS				
REV.	ZONE	DESCRIPTION	BY	DATE
A		INITIAL RELEASE	ACG	02/18/05



NOTES:  
 1. ALL METRIC DIMENSIONS ARE IN BRACKETS.

These drawings and specifications are the proprietary property of ANDREW CORPORATION and may be used only for the specific purpose authorized in writing by Andrew Corporation.  ALL DIMENSIONS ARE IN INCHES U.O.S. TOLERANCES UNLESS OTHERWISE SPECIFIED: .X = .06      ANGLES 2° .XX = .03     FRACTIONS 1/32 .XXX = .010  REMOVE BURRS AND BREAK EDGES .005  DO NOT SCALE THIS PRINT	DRAWN BY: ACG	SHEET: 1 of 1	PART NUMBER: EQ-LD
	CHECKED BY: TP	SCALE: NTS	DESCRIPTION: PLATFORM LADDER
	DATE: 02/18/05	MATERIAL: A36	DRAWING TYPE: ASSEMBLY DRAWING
	REVISION: A	FINISH: GALV A123	WEIGHT: 65.23 LBS