

4

3

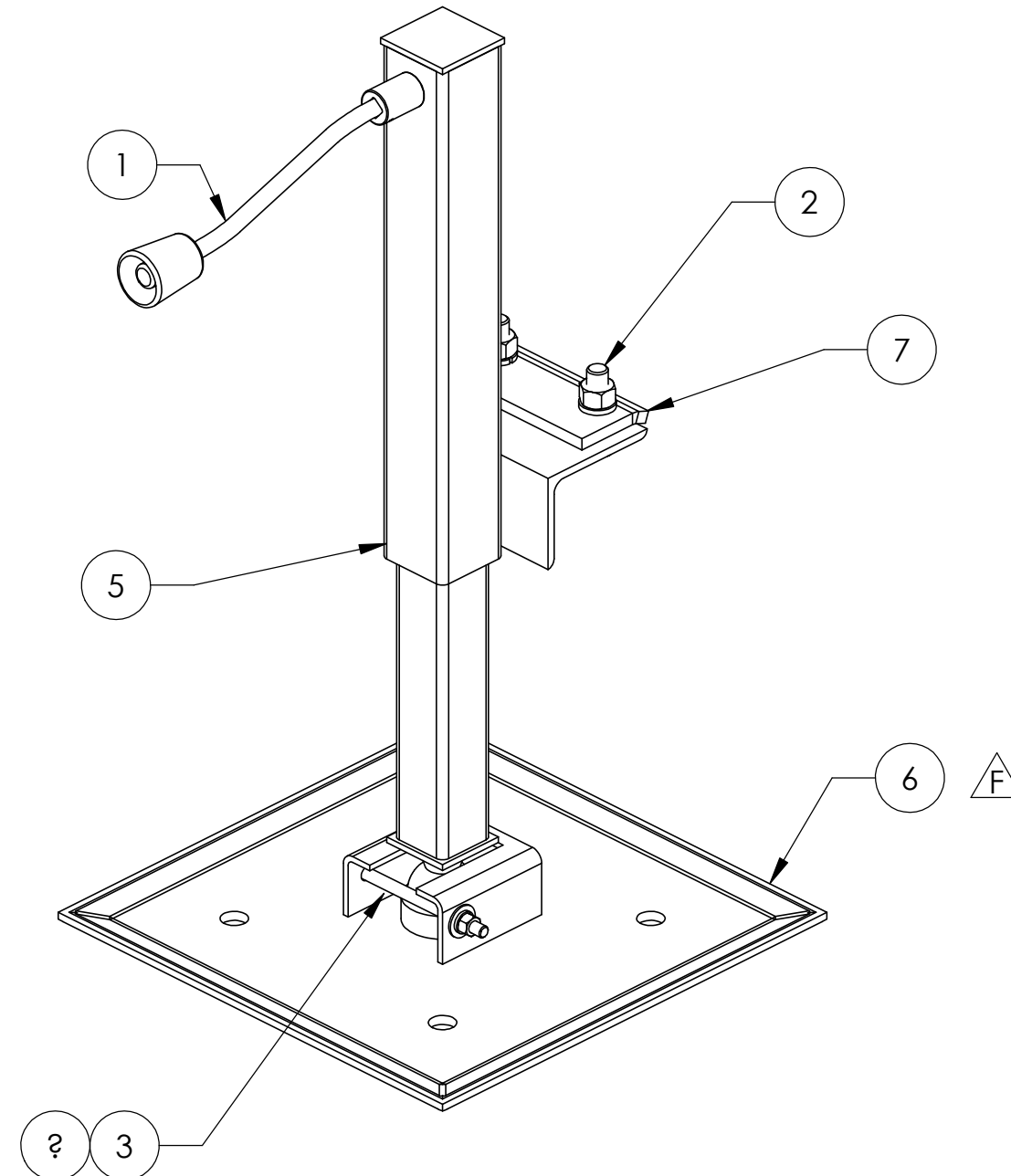
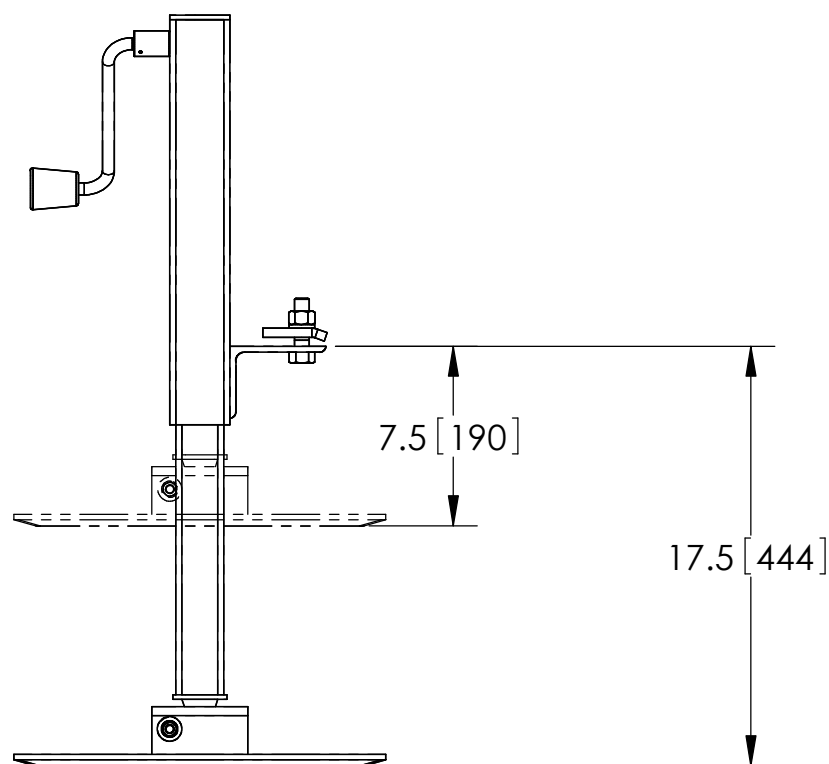
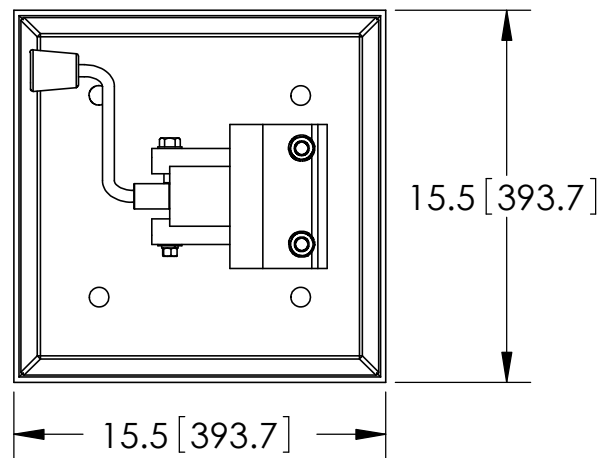
2

1

NOTES:

1.0 ALL METRIC DIMENSIONS ARE IN BRACKETS.

REVISIONS				
REV.	ECN	DESCRIPTION	BY	DATE
A		INITIAL RELEASE	CAM	03/21/02
B		REPLACED PINCH PLATE	ACG	06/04/02
C		ADDED P/N FOR CRANK	ACG	05/27/04
D		REDRAWN IN SOLIDWORKS	ACG	10/12/06
E		UPDATE .05 AS BUILT	MSM	05/21/12
F	8000030740	ADDED HOLE TO FOOT PLATE	MRC	07/17/18



<b>COMMSCOPE, INC. OF NORTH CAROLINA</b>													
TOLERANCES					SAP MATERIAL MASTER								
0 PLACE X ± .25		2 PLACE .XX ± .03			<b>EQ-P-AL</b>								
1 PLACE .X ± .06		ANGLES ± 2°											
FINISH					MATERIAL								
GALV A123					A36, A500								
UNLESS OTHERWISE SPECIFIED DIMENSIONS ARE IN MILLIMETERS INTERPRET PER ISO STANDARDS HANDBOOK TECHNICAL DRAWINGS VOLUMES 1 & 2, THIRD EDITION (2002)	NAME	DATE	TITLE										
	CE	ACG	03/10/06	<b>ADJ. LEG FOR EQ. PLATFORM</b>									
	RW												
	RV												
	AD												
RE	TP	03/10/06	SCALE	DOCUMENT NO.									
ECN	-		<b>1:1</b>	<b>EQ-P-AL</b>									
DENSITY		lbs/in <sup>3</sup>		SIZE		WORK AREA		MODEL		DRAWING		SHEET 1 OF 1	
MASS		lbs		<b>C</b>			VERSION		STATUS		REVISION		
VOLUME		in <sup>3</sup>					VERSION		STATUS		REVISION		F
SURFACE AREA		in <sup>2</sup>		LENGTH		WIDTH		VERSION		STATUS		REVISION	

ITEM	PART NO.	DESCRIPTION	QTY.	WEIGHT
1	EQPALC	CRANK	1	1.33 LBS
2	GB-0522A	5/8" X 2-1/4" GALV BOLT KIT (A325)	2	0.28 LBS
3	GB-03505	3/8" X 5" GALV BOLT KIT	1	0.17 LBS
4	GWf-03	3/8" GALV FLAT WASHER	2	0.01 LBS
5	MTC7902AL.05	ADJUSTABLE LEG	1	17.12 LBS
6	MTC7902AL.04	PIVOTING FOOT FOR ADJUSTABLE LEG	1	21.30 LBS
7	MTC7902AL07	PINCH PLATE	1	1.60 LBS