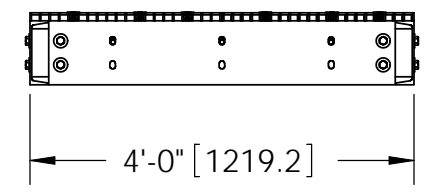
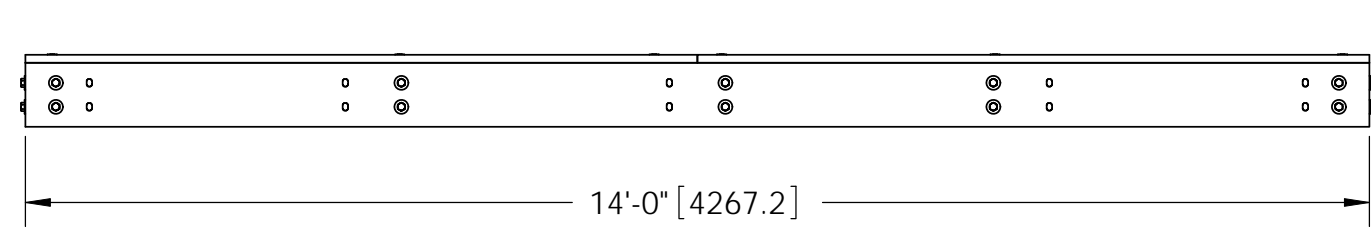
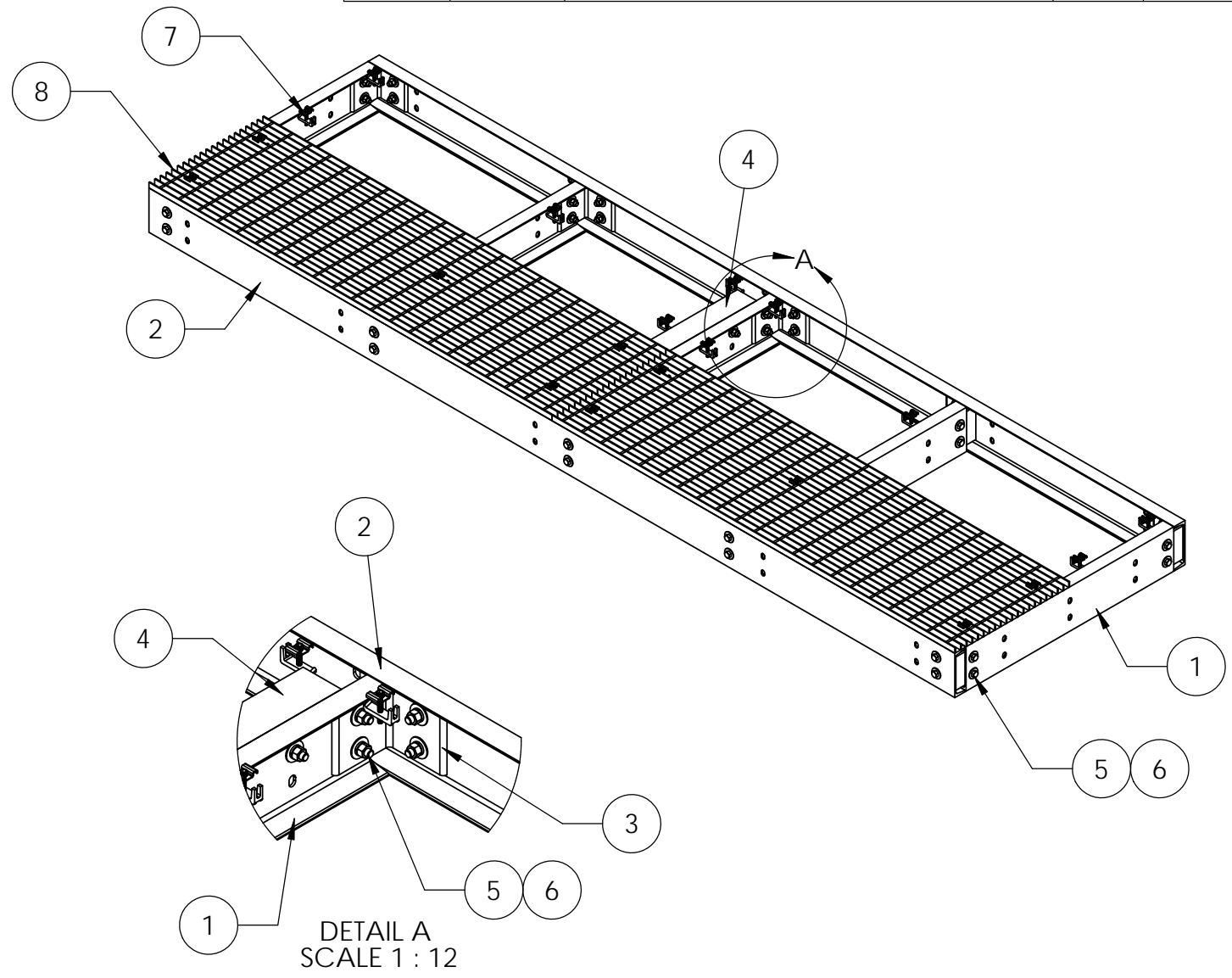
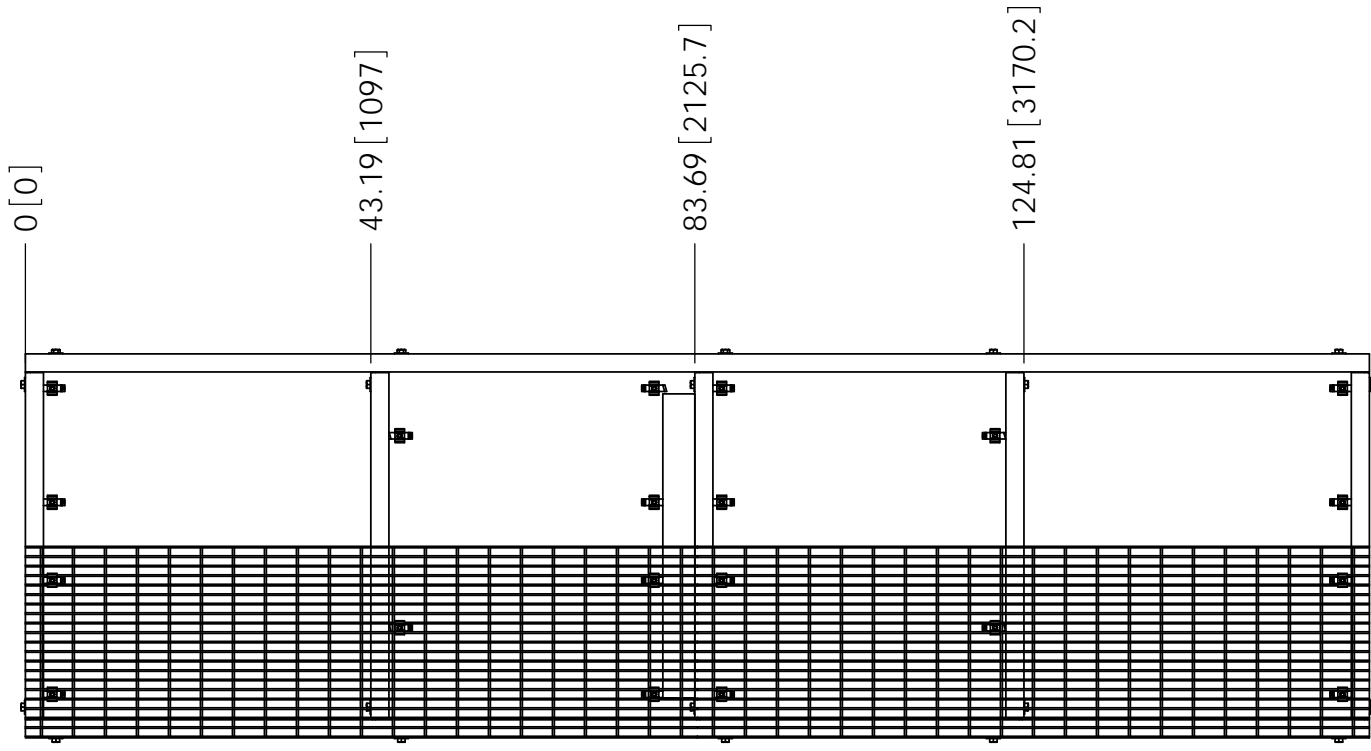


ITEM	PART NO.	DESCRIPTION	QTY.	WEIGHT
1	MTC79020407.02	4' CENTER CHANNEL	5	40.85 LBS
2	MTC79021414.01	14' SIDE CHANNEL	2	159.09 LBS
3	MTC7902.03	CHANNEL ADAPTER ANGLE	10	7.07 LBS
4	EQP041401	Grating Section Bracket 4' Wide Platform	1	20.62 LBS
5	GB-05205	5/8" X 2" GALV BOLT KIT	43	0.27 LBS
6	GWF-05	5/8" GALV FLAT WASHER	86	0.06 LBS
7	GCM03	GRATING CLIP	20	0.39 LBS
8	MTC79020407.03	24" X 84" BAR GRATING	4	99.01 LBS

REVISIONS				
REV.	ZONE	DESCRIPTION	BY	DATE
A		INITIAL RELEASE	MSM	04/03/12



NOTES:
 1. ALL METRIC DIMENSIONS ARE IN BRACKETS.
 2. GRATING REMOVED FOR CLARITY.

These drawings and specifications are the proprietary property of CommScope Inc. and may be used only for the specific purpose authorized in writing by CommScope Inc. ALL DIMENSIONS ARE IN INCHES U.O.S. TOLERANCES UNLESS OTHERWISE SPECIFIED: .X = ± .06 ANGLES ±2° .XX = ± .03 FRACTIONS ±1/32 .XXX = ± .010 REMOVE BURRS AND BREAK EDGES .005 DO NOT SCALE THIS PRINT	DRAWN BY: XXX	SHEET: 1 of 1	PART NUMBER: EQ-P0414-B
	CHECKED BY: TP	SCALE: NTS	DESCRIPTION: 4' X 14' Platform Base
	DATE: XX/XX/XX	MATERIAL: A36, A568, A529	DRAWING TYPE: ASSEMBLY SHOP DRAWING
	REVISION: A	FINISH: GALV A123	WEIGHT: 1038.51 LBS

