

INFORMATION ON THIS DOCUMENT IS PROPRIETARY TO TE CONNECTIVITY AND SHALL NOT BE USED, COPIED, REPRODUCED OR DISCLOSED IN WHOLE OR IN PART WITHOUT WRITTEN CONSENT OF TE CONNECTIVITY.		TITLE OWB ASSEMBLY	
ALL DIMS AND TOLERANCES ARE INCHES UNLESS OTHERWISE SPECIFIED	.XX:±N/A .XXX:±N/A ANGULAR:±N/A	C SIZE	DRAWING NUMBER 1000464170_PDM
DO NOT SCALE DRAWING	ENGR: JOSE F. MENDOZA DWN: OMAR A. VALDEZ	SHT. 4 OF 4	

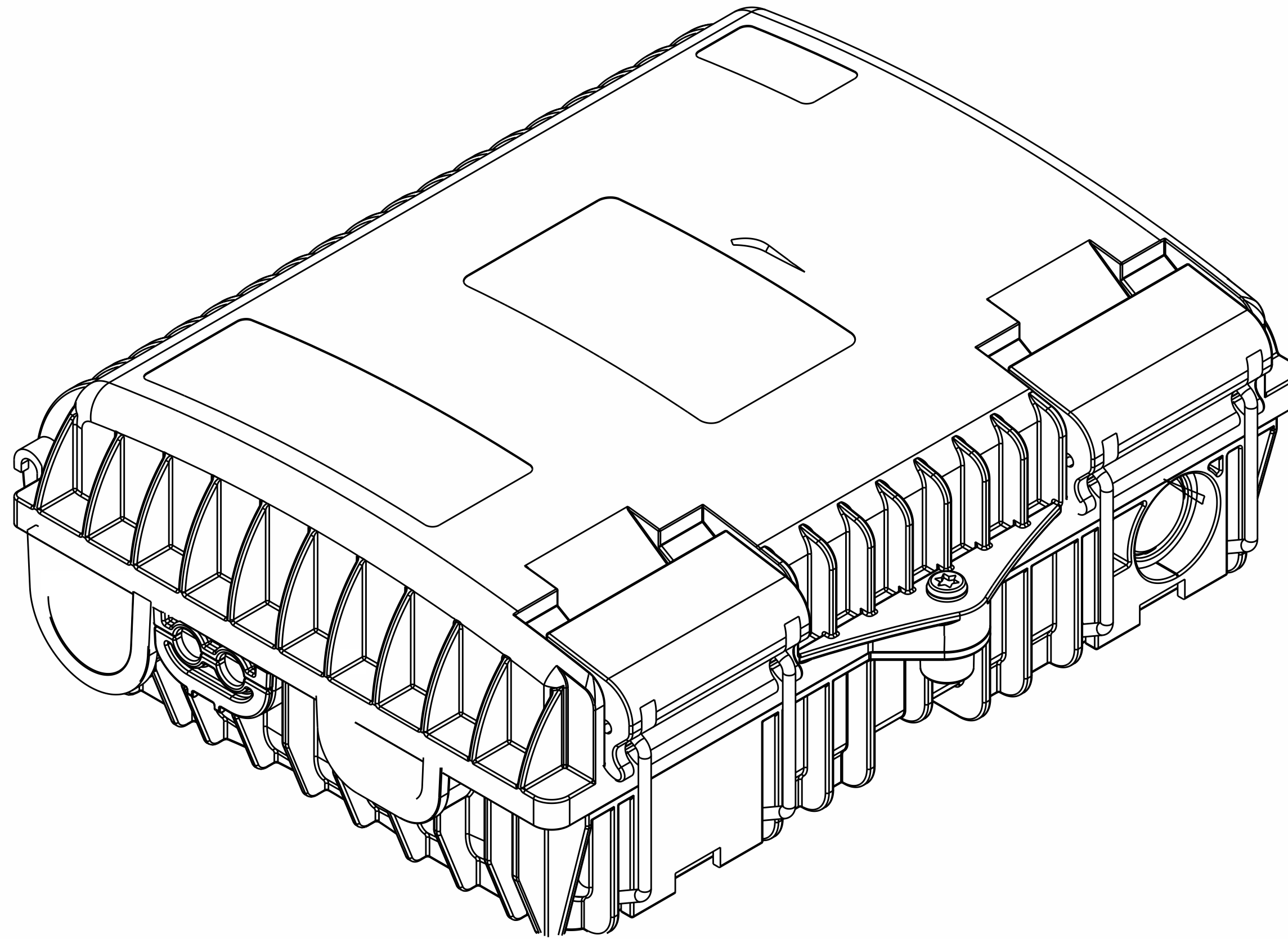
DIMENSIONS IN INCHES
 THIRD ANGLE PROJECTION

A

B

C

D



1

2

3

4

1

2

3

4

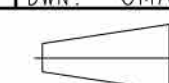


<small>INFORMATION ON THIS DOCUMENT IS PROPRIETARY TO TE CONNECTIVITY AND SHALL NOT BE USED, COPIED, REPRODUCED OR DISCLOSED IN WHOLE OR IN PART WITHOUT WRITTEN CONSENT OF TE CONNECTIVITY.</small>		<small>TITLE</small> OWB ASSEMBLY	
<small>ALL DIMS AND TOLERANCES ARE INCHES UNLESS OTHERWISE SPECIFIED</small>	<small>.XX:±N/A .XXX:±N/A ANGULAR:±N/A</small>	<small>C SIZE</small>	<small>DRAWING NUMBER</small> 1000464170_PDM
<small>DO NOT SCALE DRAWING</small>	<small>ENGR: JOSE F. MENDOZA DWN: OMAR A. VALDEZ</small>	<small>SHT. 4 OF 4</small>	

A

B

C



**DIMENSIONS IN INCHES
THIRD ANGLE PROJECTION**