



BUDI Fiber Optic Wall mount Enclosure, 24 SC/APC adapters, single element FIST splice trays for 48 SMOUV splices

- Compact, wall mountable fiber enclosures for indoor and outdoor use
- Specifically designed for fast FTTH deployment and easy customer connection
- Available with splicing (FIST) and/or patching and/or splitter combinations
- Multiple and modular cable port sealing options using gel technology

Product Classification

| | |
|------------------------------|----------------|
| Brand | FIST™ |
| Product Type | Fiber wall box |
| Product Series | BUDI |
| Regional Availability | EMEA |

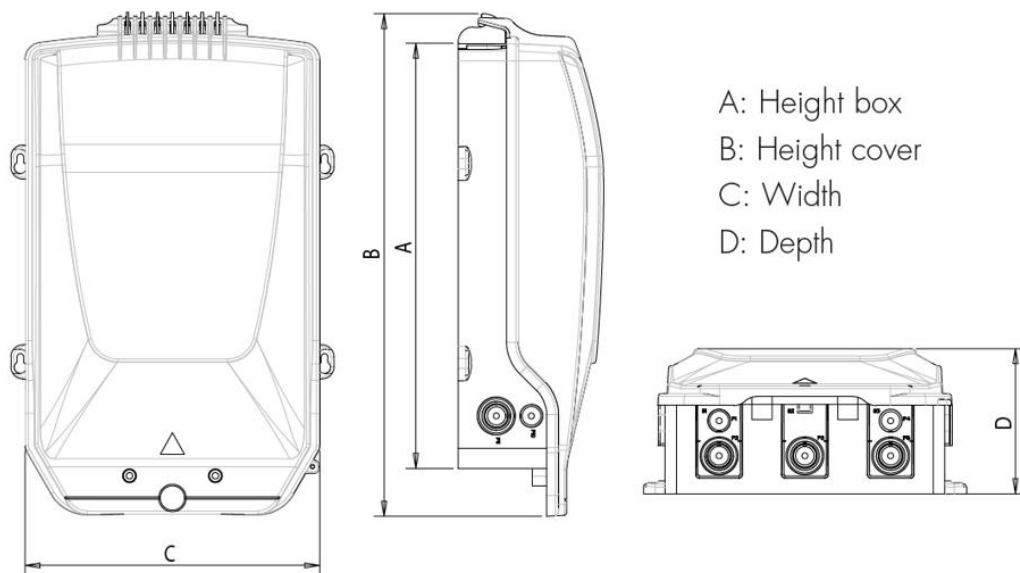
General Specifications

| | |
|-----------------------------------|---------------------|
| Enclosure Color | Gray |
| Functionality | Patching Splicing |
| Interface Feature, input | APC |
| Interface, input | SC |
| Package, quantity | 1 |
| Packaging Type | Box Carton |
| Port, quantity | 24 |
| Splice Tray Construction | SE (Single element) |
| Splicing Capacity, maximum | 48 |

Dimensions

| | |
|---------------------------|----------------------|
| Depth | 60.00 mm 2.36 in |
| Height | 425.00 mm 16.73 in |
| Height, with cover | 500.00 mm 19.69 in |
| Width | 155.00 mm 6.10 in |

Dimension Drawing



Dimension Drawing Used as an image placeholder

Mechanical Specifications

| | |
|--------------------------------|--------------------|
| Access | Front |
| Enclosure Material Type | LSZH thermoplastic |
| Front Cover Type | Snap-on cover |
| Mount Type | Wall |

Optical Specifications

| | |
|-------------------|------------|
| Fiber Mode | Singlemode |
|-------------------|------------|

Environmental Specifications

| | |
|-------------------------------|---|
| Environmental Space | Outdoor |
| Qualification Standard | IEC 60529, IP54 IEC 61753-1, category G |

Regulatory Compliance/Certifications

Agency
 RoHS 2011/65/EU

Classification
 Compliant

