



BUDI Fiber Optic Wall mount Enclosure, 24 SC/UPC adapters, single circuit FIST splice trays for 24 SMOUV splices

- Compact, wall mountable fiber enclosures for indoor and outdoor use
- Specifically designed for fast FTTH deployment and easy customer connection
- Available with splicing (FIST) and/or patching and/or splitter combinations
- Multiple and modular cable port sealing options using gel technology

Product Classification

Brand	FIST™
Product Type	Fiber wall box
Product Series	BUDI
Regional Availability	EMEA

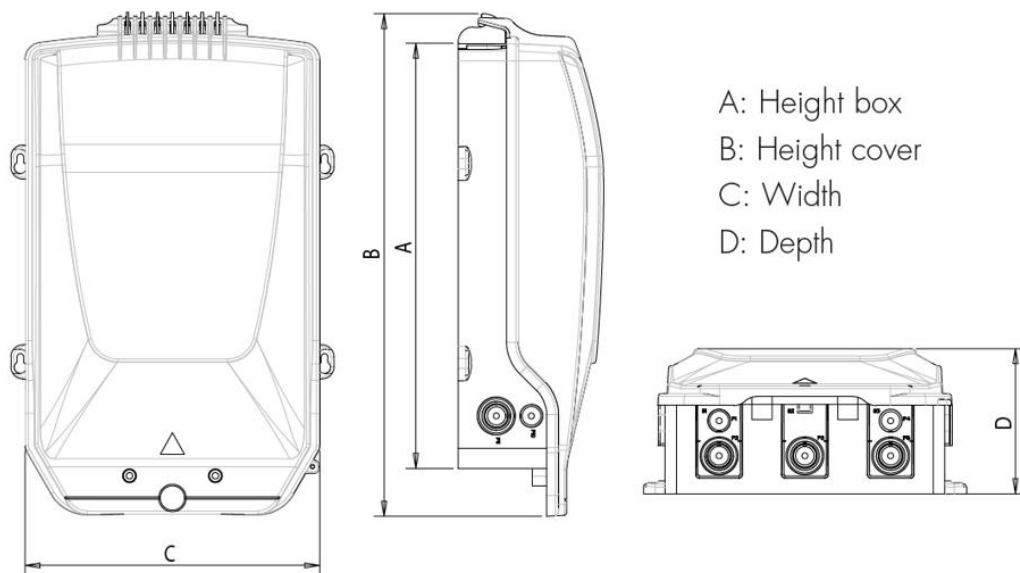
General Specifications

Enclosure Color	Gray
Functionality	Patching Splicing
Interface Feature, input	Standard
Interface, input	SC
Package, quantity	1
Packaging Type	Box Carton
Port, quantity	24
Splice Tray Construction	SC (Single circuit)
Splicing Capacity, maximum	24

Dimensions

Depth	60.00 mm 2.36 in
Height	425.00 mm 16.73 in
Height, with cover	500.00 mm 19.69 in
Width	155.00 mm 6.10 in

Dimension Drawing



Dimension Drawing Used as an image placeholder

Mechanical Specifications

Access	Front
Enclosure Material Type	LSZH thermoplastic
Front Cover Type	Snap-on cover
Mount Type	Wall

Optical Specifications

Fiber Mode	Singlemode
-------------------	------------

Environmental Specifications

Environmental Space	Outdoor
Qualification Standard	IEC 60529, IP54 IEC 61753-1, category G

Regulatory Compliance/Certifications

Agency
 RoHS 2011/65/EU

Classification
 Compliant

