



BUDI Fiber Optic Wall mount Enclosure, 36 SC/APC adapters, single circuit FIST splice trays for 36 SMOUV splices

- Compact, wall mountable fiber enclosures for indoor and outdoor use
- Specifically designed for fast FTTH deployment and easy customer connection
- Available with splicing (FIST) and/or patching and/or splitter combinations
- Multiple and modular cable port sealing options using gel technology

Product Classification

Brand	FIST™
Product Type	Fiber wall box
Product Series	BUDI
Regional Availability	EMEA

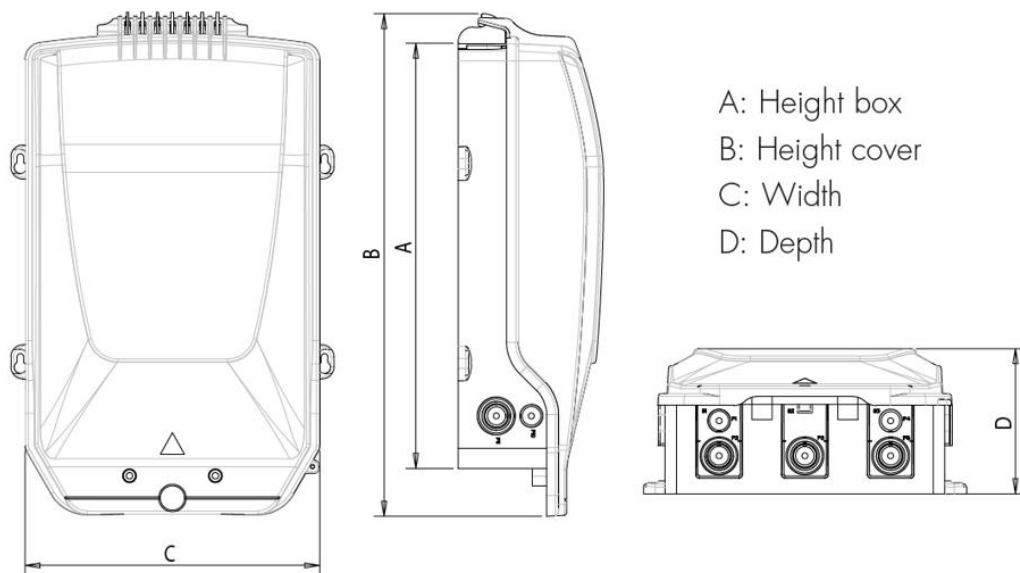
General Specifications

Enclosure Color	Gray
Functionality	Patching Splicing
Interface Feature, input	APC
Interface, input	SC
Package, quantity	1
Packaging Type	Box Carton
Port, quantity	36
Splice Tray Construction	SC (Single circuit)
Splicing Capacity, maximum	36

Dimensions

Depth	175.00 mm 6.89 in
Height	480.00 mm 18.90 in
Height, with cover	550.00 mm 21.65 in
Width	360.00 mm 14.17 in

Dimension Drawing



A: Height box
B: Height cover
C: Width
D: Depth

Dimension Drawing Used as an image placeholder

Mechanical Specifications

Access Front
Enclosure Material Type LSZH thermoplastic
Front Cover Type Snap-on cover
Mount Type Wall

Optical Specifications

Fiber Mode Singlemode

Environmental Specifications

Environmental Space Outdoor
Qualification Standard IEC 60529, IP54 | IEC 61753-1, category G

Regulatory Compliance/Certifications

Agency
RoHS 2011/65/EU

Classification
Compliant

