



BUDI Fiber Optic Wall mount Enclosure, empty for holding Fiber Adapters and FIST Splice Trays, with lock

- Compact, wall mountable fiber enclosures for indoor and outdoor use
- Specifically designed for fast FTTH deployment and easy customer connection
- Available with splicing (FIST) and/or patching and/or splitter combinations
- Multiple and modular cable port sealing options using gel technology

## Product Classification

<b>Brand</b>	FIST™
<b>Product Type</b>	Fiber wall box
<b>Product Series</b>	BUDI
<b>Regional Availability</b>	EMEA

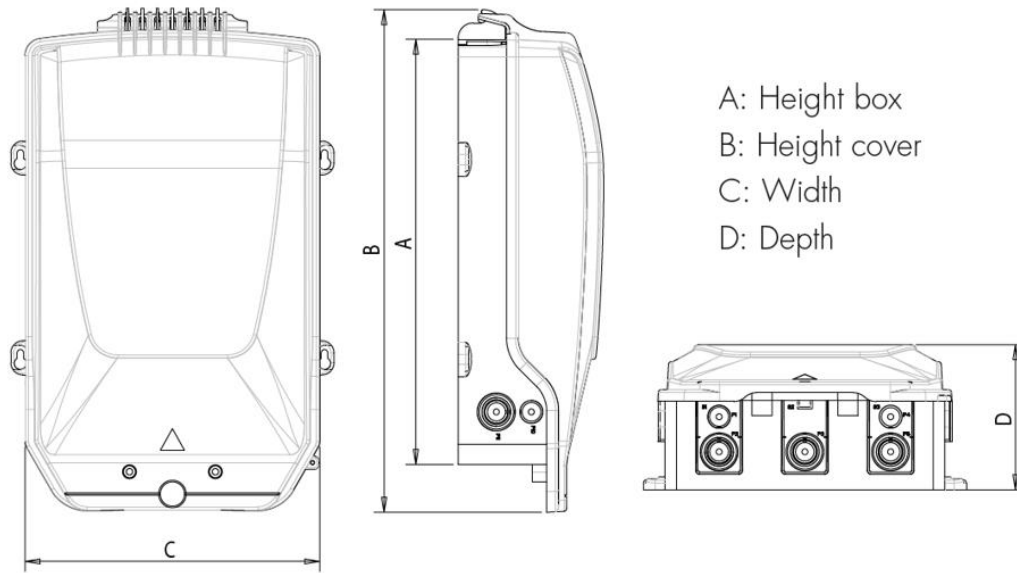
## General Specifications

<b>Enclosure Color</b>	Gray
<b>Functionality</b>	Patching   Splicing
<b>Package, quantity</b>	1
<b>Packaging Type</b>	Box   Carton
<b>Splicing Capacity, maximum</b>	144

## Dimensions

<b>Depth</b>	145.00 mm   5.71 in
<b>Height</b>	425.00 mm   16.73 in
<b>Height, with cover</b>	500.00 mm   19.69 in
<b>Width</b>	295.00 mm   11.61 in

## Dimension Drawing



A: Height box  
B: Height cover  
C: Width  
D: Depth

**Dimension Drawing**      Used as an image placeholder

## Mechanical Specifications

<b>Access</b>	Front
<b>Enclosure Material Type</b>	LSZH thermoplastic
<b>Front Cover Type</b>	Snap-on cover
<b>Lock Type</b>	Key lock
<b>Mount Type</b>	Wall

## Environmental Specifications

<b>Environmental Space</b>	Outdoor
<b>Qualification Standard</b>	IEC 60529, IP54   IEC 61753-1, category G

## Regulatory Compliance/Certifications

**Agency**  
RoHS 2011/65/EU

**Classification**  
Compliant

