



BUDI Fiber Optic Wall mount Enclosure, empty for holding Fiber Adapters and FIST Splice Trays, without lock

- Compact, wall mountable fiber enclosures for indoor and outdoor use
- Specifically designed for fast FTTH deployment and easy customer connection
- Available with splicing (FIST) and/or patching and/or splitter combinations
- Multiple and modular cable port sealing options using gel technology

## Product Classification

|                              |                |
|------------------------------|----------------|
| <b>Brand</b>                 | FIST™          |
| <b>Product Type</b>          | Fiber wall box |
| <b>Product Series</b>        | BUDI           |
| <b>Regional Availability</b> | EMEA           |

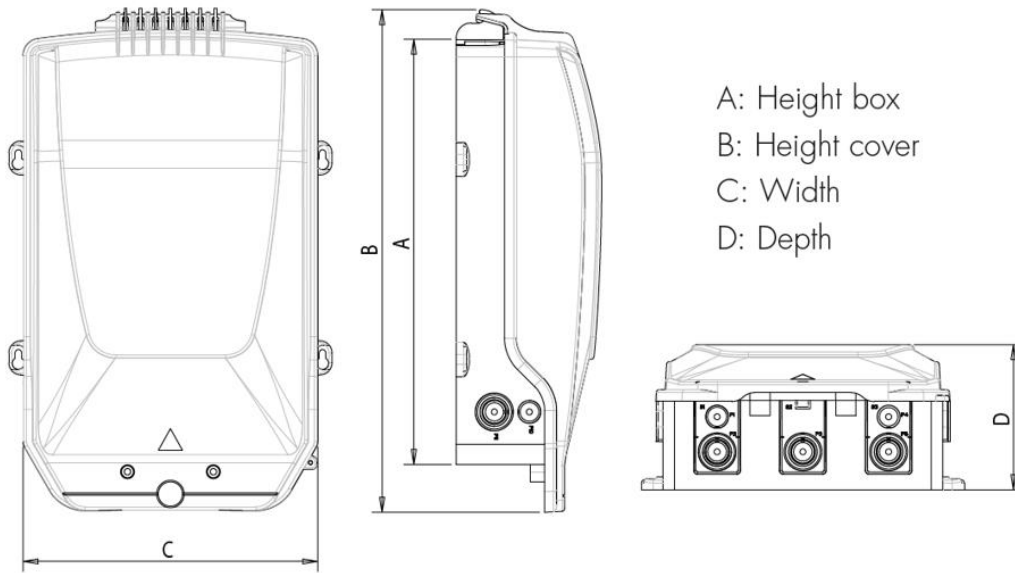
## General Specifications

|                                   |                     |
|-----------------------------------|---------------------|
| <b>Enclosure Color</b>            | Gray                |
| <b>Functionality</b>              | Patching   Splicing |
| <b>Package, quantity</b>          | 1                   |
| <b>Packaging Type</b>             | Box   Carton        |
| <b>Splicing Capacity, maximum</b> | 144                 |

## Dimensions

|                           |                      |
|---------------------------|----------------------|
| <b>Depth</b>              | 145.00 mm   5.71 in  |
| <b>Height</b>             | 425.00 mm   16.73 in |
| <b>Height, with cover</b> | 500.00 mm   19.69 in |
| <b>Width</b>              | 295.00 mm   11.61 in |

## Dimension Drawing



**Dimension Drawing** Used as an image placeholder

## Mechanical Specifications

|                                |                    |
|--------------------------------|--------------------|
| <b>Access</b>                  | Front              |
| <b>Enclosure Material Type</b> | LSZH thermoplastic |
| <b>Front Cover Type</b>        | Snap-on cover      |
| <b>Mount Type</b>              | Wall               |

## Environmental Specifications

|                               |   |
|-------------------------------|---|
| <b>Environmental Space</b>    | Outdoor                                   |
| <b>Qualification Standard</b> | IEC 60529, IP54   IEC 61753-1, category G |

## Regulatory Compliance/Certifications

**Agency**  
RoHS 2011/65/EU

**Classification**  
Compliant

