



BUDI Fiber Optic Wall mount Enclosure, 12 LC/APC ports, single element FIST splice trays for SMOUV splices

- Compact, wall mountable fiber enclosures for indoor and outdoor use
- Specifically designed for fast FTTH deployment and easy customer connection
- Available with splicing (FIST) and/or patching and/or splitter combinations
- Multiple and modular cable port sealing options using gel technology

Product Classification

Brand	FIST™
Product Type	Fiber wall box
Product Series	BUDI
Regional Availability	EMEA

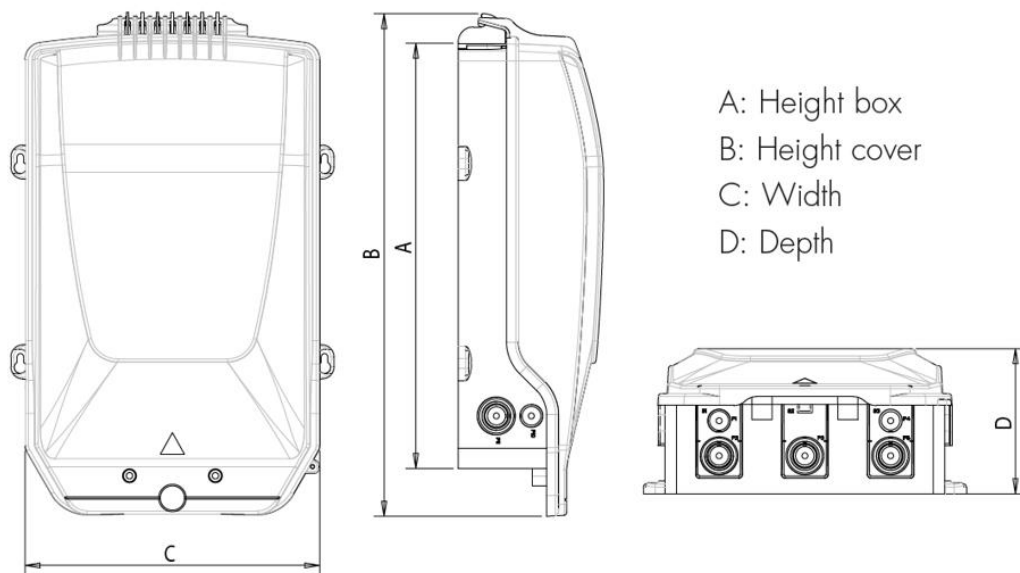
General Specifications

Enclosure Color	Gray
Functionality	Patching Splicing
Interface Feature, input	APC
Interface, input	LC
Package, quantity	1
Packaging Type	Box Carton
Port, quantity	12
Splice Tray Construction	SE (Single element)
Splicing Capacity, maximum	12

Dimensions

Depth	60.00 mm 2.36 in
Height	260.00 mm 10.24 in
Height, with cover	285.00 mm 11.22 in
Width	155.00 mm 6.10 in

Dimension Drawing



Dimension Drawing Used as an image placeholder

Mechanical Specifications

Access	Front
Enclosure Material Type	LSZH thermoplastic
Front Cover Type	Snap-on cover
Mount Type	Wall

Optical Specifications

Fiber Mode	Singlemode
-------------------	------------

Environmental Specifications

Environmental Space	Outdoor
Qualification Standard	IEC 60529, IP54 IEC 61753-1, category G

Regulatory Compliance/Certifications

Agency
 RoHS 2011/65/EU

Classification
 Compliant

