



## BUDI Fiber Optic Wall mount Enclosure, single element FIST splice trays for 24 SMOUV splices

- Compact, wall mountable fiber enclosures for indoor and outdoor use
- Specifically designed for fast FTTH deployment and easy customer connection
- Available with splicing (FIST) and/or patching and/or splitter combinations
- Multiple and modular cable port sealing options using gel technology

### Product Classification

<b>Brand</b>	FIST™
<b>Product Type</b>	Fiber wall box
<b>Product Series</b>	BUDI
<b>Regional Availability</b>	EMEA

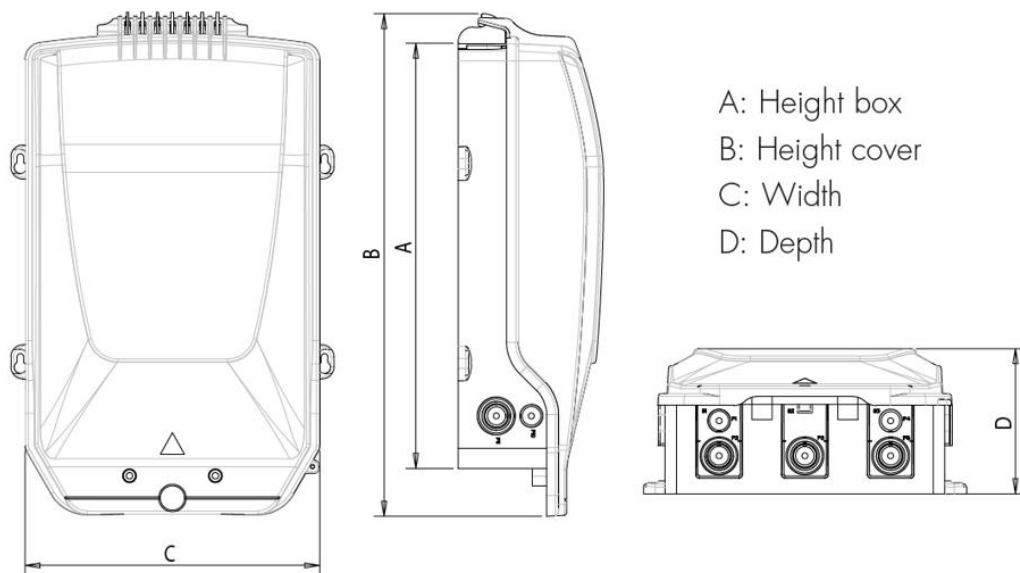
### General Specifications

<b>Enclosure Color</b>	Gray
<b>Functionality</b>	Splicing
<b>Package, quantity</b>	1
<b>Packaging Type</b>	Box   Carton
<b>Splice Tray Construction</b>	SE (Single element)
<b>Splicing Capacity, maximum</b>	24

### Dimensions

<b>Depth</b>	60.00 mm   2.36 in
<b>Height</b>	260.00 mm   10.24 in
<b>Height, with cover</b>	285.00 mm   11.22 in
<b>Width</b>	155.00 mm   6.10 in

### Dimension Drawing



**Dimension Drawing**      Used as an image placeholder

### Mechanical Specifications

<b>Access</b>	Front
<b>Enclosure Material Type</b>	LSZH thermoplastic
<b>Front Cover Type</b>	Snap-on cover
<b>Mount Type</b>	Wall

### Environmental Specifications

<b>Environmental Space</b>	Outdoor
<b>Qualification Standard</b>	IEC 60529, IP54   IEC 61753-1, category G

### Regulatory Compliance/Certifications

**Agency**  
 RoHS 2011/65/EU

**Classification**  
 Compliant

