

FL1-G622NNN2-2222D



FL1000 Fiber Wall Box, 2-door, singlemode FC/UPC, 12-ports, with softwall-bundled pigtails and splice tray, 2 cable clamps, 2 compression fittings, 2 grounding kits, 2 strength member tie-offs, 2 key locks

- Ideal for small to medium fiber counts within communication rooms or closets at customer sites
- Provides demarcation access for the telecom carrier and the end-user by way of separate compartments
- Guarantees mechanical protection and fiber management for indoor and outdoor cable
- Fully customizable for patch-patch, splice-patch or for the storage of un-terminated (dark) fibers

OBSOLETE

This product was discontinued on: March 1, 2018

Product Classification

Product Series	FL1000
Product Type	Fiber wall box
Regional Availability	North America

Construction Materials

Fiber Mode	Singlemode
Finish	Powder coated
Material Type	Steel
Total Fibers, quantity	12

Dimensions

Depth	156.97 mm 6.18 in
Height	433.00 mm 17.05 in
Width	511.00 mm 20.12 in

Environmental Specifications

Environmental Space	Indoor
Qualification Standards	NEMA type 12

General Specifications

Adapter Packs Included, quantity	2
Adapters, quantity	12
Application	Patching Splicing
Cable Stub Type	Pigtails, stranded
Color	Putty white

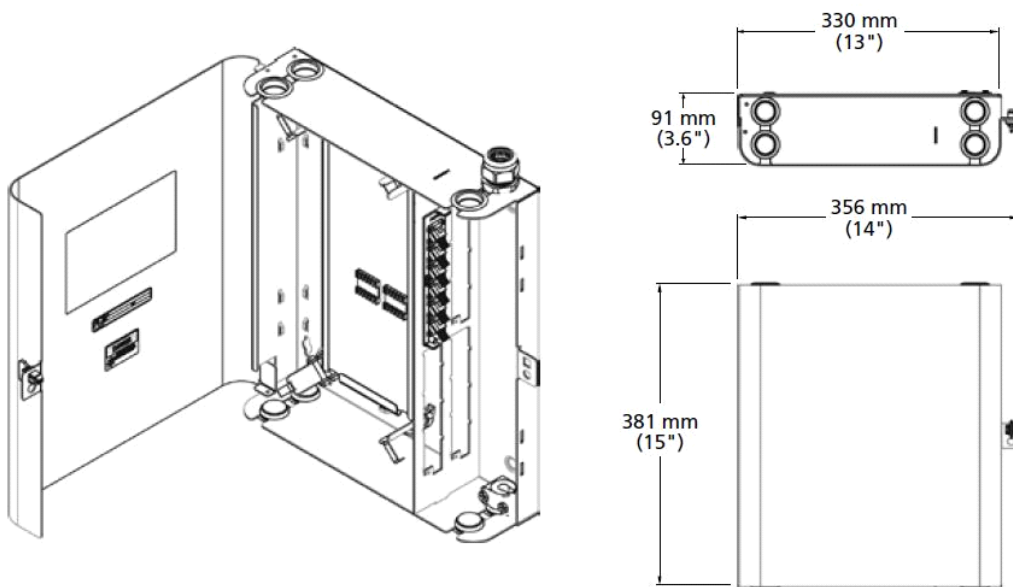
FL1-G622NNN2-2222D

Door, quantity	2
Growth Configuration	Fully loaded
Includes	Two grounding kits Two tie-off adapters
Interface Feature, front	Standard
Interface, front	FC
Package Quantity	1
Packaging Type	Bag Carton
Splicing Type	Heat shrink, mass fusion
Total Ports, quantity	12

Mechanical Specifications

Cable Clamps, quantity	2
Cable Compression Fittings, quantity	2
Cable Entry Location	Bottom left Bottom right Top left Top right
Front Door Type	Single hinged
Lock Type	Key lock
Mount Type	Wall

Outline Drawing



Regulatory Compliance/Certifications

Agency

Classification

