

FL1-H6222NN2-2222D



FL1000 Fiber Wall Box, 2-door, singlemode FC/UPC, 24-ports, with pigtails and splice tray, 2 cable clamps, 2 compression fittings, 2 grounding kits, 2 strength member tie-offs, 2 key locks

- Ideal for small to medium fiber counts within communication rooms or closets at customer sites
- Provides demarcation access for the telecom carrier and the end-user by way of separate compartments
- Guarantees mechanical protection and fiber management for indoor and outdoor cable
- Fully customizable for patch-patch, splice-patch or for the storage of un-terminated (dark) fibers

OBSOLETE

This product was discontinued on: **March 1, 2018**

Product Classification

| | |
|------------------------------|----------------|
| Product Series | FL1000 |
| Product Type | Fiber wall box |
| Regional Availability | North America |

Construction Materials

| | |
|-------------------------------|---------------|
| Fiber Mode | Singlemode |
| Finish | Powder coated |
| Material Type | Steel |
| Total Fibers, quantity | 24 |

Dimensions

| | |
|---------------|----------------------|
| Depth | 156.97 mm 6.18 in |
| Height | 590.00 mm 23.23 in |
| Width | 551.00 mm 21.69 in |

Environmental Specifications

| | |
|--------------------------------|--------------|
| Environmental Space | Indoor |
| Qualification Standards | NEMA type 12 |

General Specifications

| | |
|---|---------------------|
| Adapter Packs Included, quantity | 4 |
| Adapters, quantity | 24 |
| Application | Patching Splicing |

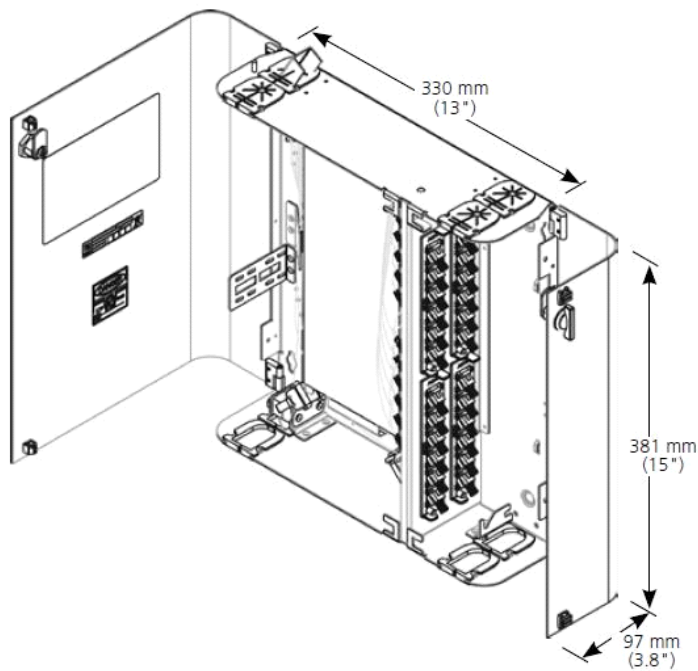
FL1-H6222NN2-2222D

| | |
|---------------------------------|---|
| Cable Stub Type | Pigtails, stranded |
| Color | Putty white |
| Door, quantity | 2 |
| Growth Configuration | Fully loaded |
| Includes | Two grounding kits Two tie-off adapters |
| Interface Feature, front | Standard |
| Interface, front | FC |
| Package Quantity | 1 |
| Packaging Type | Bag Carton |
| Splicing Type | Heat shrink, mass fusion |
| Total Ports, quantity | 24 |

Mechanical Specifications

| | |
|---|---|
| Cable Clamps, quantity | 2 |
| Cable Compression Fittings, quantity | 2 |
| Cable Entry Location | Bottom left Bottom right Top left Top right |
| Front Door Type | Single hinged |
| Lock Type | Key lock |
| Mount Type | Wall |

Outline Drawing



Regulatory Compliance/Certifications

Agency

RoHS 2011/65/EU

Classification

Compliant

