



FOSC™450 B6 Fiber Optic Splice Closure, Gel Cable sealing, no pre-installed tray, 6 cable attach., three ground feedthrough lugs, with test valve

- Single-ended, O-ring sealed dome closure for splicing feeder and distribution cables
- Gel cable sealing technology allows easy adding or removing of a wide size range of cables
- Compatible with most common cable types: e.g. loose tube, central core, ribbon fiber
- FOSC splice trays hinged for access to any splice without disturbing other trays
- Closure can be used in aerial, pedestal and underground (up to 5 meters) environments
- Compatible with CommScope's CWDM modules and optical splitter trays

Product Classification

Product Type	Single-ended, round fiber closure
Regional Availability	Latin America North America
Product Series	FOSC 450
Product Brand	FOSC™

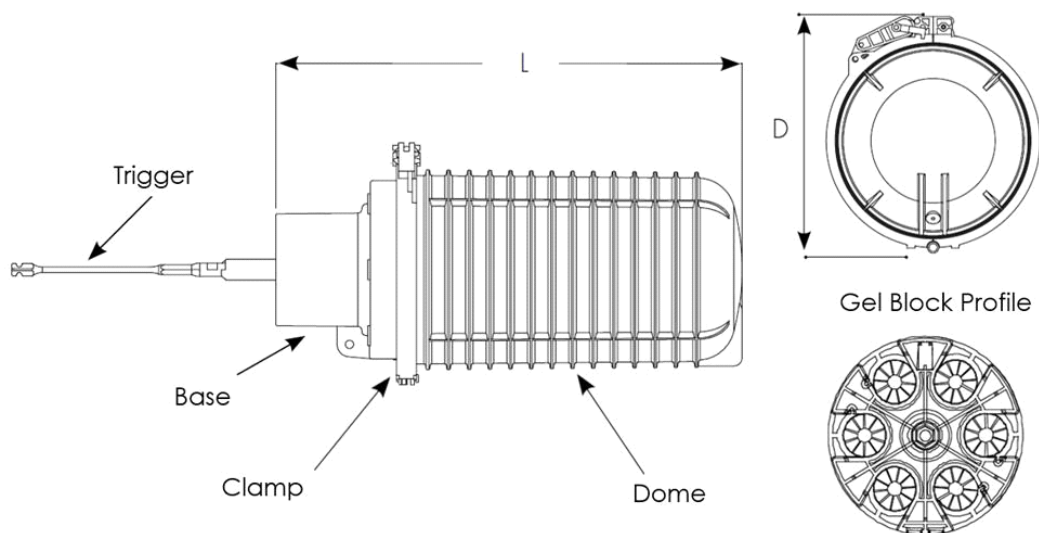
General Specifications

Splicing Type, Supported	Mass fusion Single fusion
Splicing Capacity, Mass Fusion, maximum	288
Splicing Capacity, Single Fusion, maximum	144
Color	Black
Network Area Type	Feeder
Package, quantity	1
Packaging Type	Box Carton
Splice Tray Included, quantity	0
Splicing Capacity, Single Splice, 12 fibers, maximum	144
Splicing Capacity, Single Splice, 6 fibers, maximum	72

Dimensions

Main Cable Diameter, maximum	25.00 mm
Diameter	254.00 mm 10.00 in
Diameter, with clamp	291 mm 11 in
Length	610.00 mm 24.02 in
Weight	5.90 kg 13.00 lb

Dimension Drawing



Mechanical Specifications

Cable Sealing Type	Compressed gel
Cable Entry Drop Port Style	Round
Cable Entry Main Port Style	Round
Cable Ports, quantity	6
Closure Sealing Type	Dome-to-base clamp with O-ring
Closure Style	Single-ended
Fiber Storage Basket Type	B6, BS standard size
Ground Feed-through Lugs, quantity	3
Material Type	Impact-resistant polymer
Mount Type	Pole Strand Wall

Environmental Specifications

Environmental Space	Below ground Buried
Qualification Standard	IEC 61300, 5 m waterhead
Water Resistance	Flash test valve at 5 psi (40 kPa)

Regulatory Compliance/Certifications

Agency	Classification
RoHS 2011/65/EU	Compliant
ISO 9001:2015	Designed, manufactured and/or distributed under this quality management system

