



BUDI Fiber Optic Wall mount Enclosure, empty for holding Fiber Adapters and FIST Splice Trays, without lock

- Compact, wall mountable fiber enclosures for indoor and outdoor use
- Specifically designed for fast FTTH deployment and easy customer connection
- Available with splicing (FIST) and/or patching and/or splitter combinations
- Multiple and modular cable port sealing options using gel technology

Product Classification

Brand	FIST™
Product Type	Fiber wall box
Product Series	BUDI
Regional Availability	EMEA

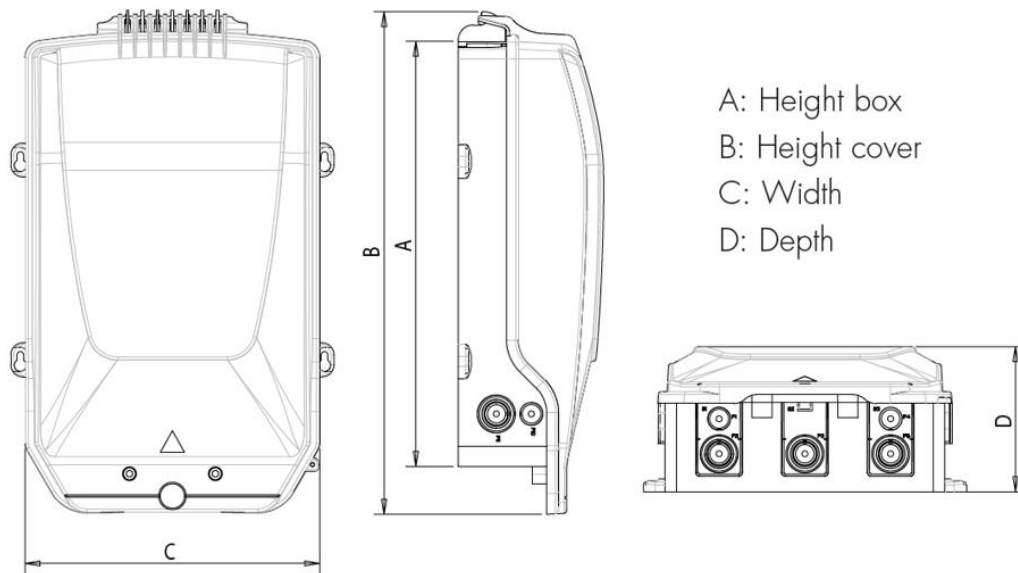
General Specifications

Enclosure Color	Gray
Functionality	Patching Splicing
Package, quantity	1
Packaging Type	Box Carton
Splicing Capacity, maximum	144

Dimensions

Depth	175.00 mm 6.89 in
Height	480.00 mm 18.90 in
Height, with cover	550.00 mm 21.65 in
Width	360.00 mm 14.17 in

Dimension Drawing



A: Height box
B: Height cover
C: Width
D: Depth

Dimension Drawing Used as an image placeholder

Mechanical Specifications

Access Front
Enclosure Material Type LSZH thermoplastic
Front Cover Type Snap-on cover
Mount Type Wall

Environmental Specifications

Environmental Space Outdoor
Qualification Standard IEC 60529, IP54 | IEC 61753-1, category G

Regulatory Compliance/Certifications

Agency
RoHS 2011/65/EU

Classification
Compliant

