

4

3

2

1

- 1.0 GENERAL NOTES
- 1.1 ALL METRIC DIMENSIONS ARE IN BRACKETS [X.X]
- 1.2 FOR PATENT INFO: <https://www.cs-pat.com>

- 2.0 DESIGN NOTES
- 3.0 MANUFACTURING/SPECIAL REQUIREMENTS

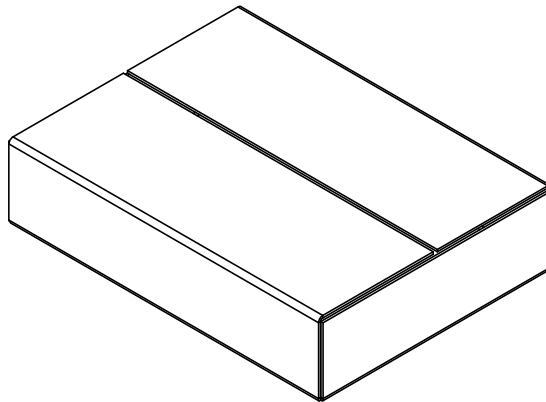
3.1 TIGHTEN ALL BOLTS SECURING FLAT PLATES BY THE TURN-OF-NUT METHOD. TIGHTEN ALL U-BOLTS USING TURN-OF-NUT METHOD WITH ATTENTION TO LEAVE EQUAL DISTANCE AND EQUAL FORCE ON EACH LEG OF THE U-BOLT.

- 4.0 TEST

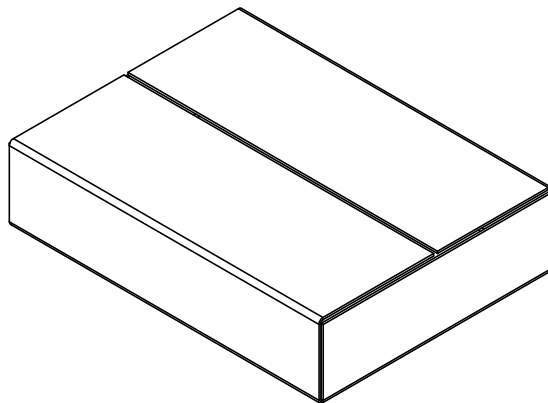
- 5.0 PACKAGING

- 5.1 PACKAGING SHALL MEET COMMScope REQUIREMENTS PER DOCUMENT IS-PL-3005
- 5.2 PRINTED DOCUMENT TO BE PLACED INSIDE POLYBAG AND THEN IN SHIPPING CONTAINER
- 5.3 EXTRA HARDWARE MAYBE SUPPLIED, BAGGED AND SHIPPED

REVISIONS			
REV	DESCRIPTION	DATE	APPROVED
A	INITIAL RELEASE	TN1010 26FEB2024	TN1010 XXXXXXCMO



PACKAGE #1: RR-FA-2



PACKAGE #2: 860677769-001

COMMScope, INC. OF NORTH CAROLINA									
TOLERANCES					SAP MATERIAL MASTER				
0 PLACE X[X] ± 0.25[6.3]		2 PLACE XX[X] ± 0.06[1.5]							
1 PLACE .X[X] ± 0.12[3.0]		ANGLES ± 2°							
FINISH					MATERIAL				
		NAME		DATE		TITLE			
CE		TN1010		02/26/2024		FAST ACCESS RRU MOUNT			
RW		YMENG		08/02/2023					
AD		XK1001		08/02/2023					
RE		LL1090		08/10/2023					
ECN		40175037CMO							
SCALE		DOCUMENT NO.							
1:3		RR-FA2 and 860677769-001 INSTALL							
SIZE		Auth Group		INSL		MODEL		DRAWING	
C		INS		INS		REVISION		REVISION	
RE		A		05		RE		D	
SHEET		1 OF 9							

DENSITY		lbs/in ³
MASS		lbs
VOLUME		in ³
SURFACE AREA	1774.06	in ²
HEIGHT	4.0[101.6]	
LENGTH	18.0[457.2]	
WIDTH	13.0[330.2]	

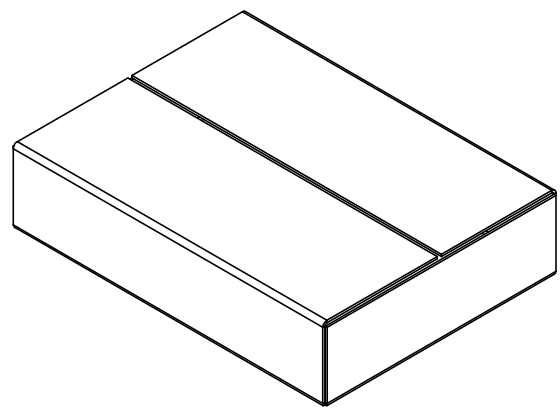
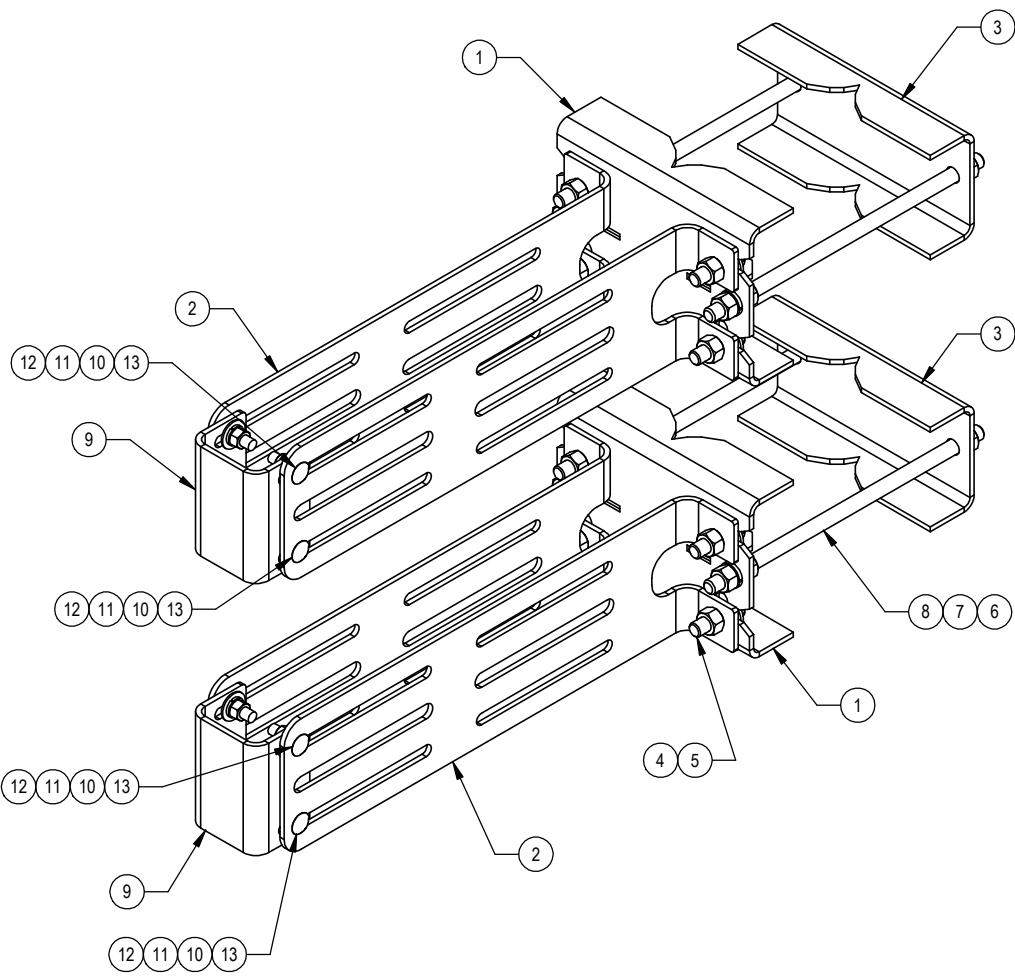
UNLESS OTHERWISE SPECIFIED
DIMENSIONS ARE IN INCHES
INTERPRET PER ANSI Y14.5M-1994

4

3

2

1





PACKAGE #1: RR-FA-2

RR-FA-2 - FAST ACCESS RRU MOUNT

COMPONENT PART NUMBERS PROVIDED FOR ASSEMBLY PURPOSES;
INDIVIDUAL COMPONENTS MAY BE SHIPPED AS PARTS WITHIN AN INCLUDED KIT.

ITEM	PART NO.	DESCRIPTION	QTY.	WEIGHT	NOTE NO.
1	MTC378912	WELDED FRONT BRACKET	2	4.18 LBS	
2	MTC378909	RRU HANGER	4	3.97 LBS	
3	MTC378903	REAR BRACKET	2	3.10 LBS	
4	GWFL-04	1/2" GALV FLAT WASHER	8	0.04 LBS	
5	GB-04145	1/2" X 1-1/2" GALV BOLT KIT	8	0.13 LBS	
6	GWL-04	1/2" GALV LOCK WASHER	12	0.01 LBS	
7	HNU0.5000-13-D-N		12		
8	MT-379	1/2" X 12" GALV THREADED ROD	4	0.66 LBS	
9	RRFA-0001-00	BRACKET, RRU MOUNT SMALL STABILIZER	2	1.46 LBS	
10	GWFL-03	3/8" GALV FLAT WASHER	8	0.01 LBS	
11	GWL-03	3/8" GALV LOCK WASHER	8	0.01 LBS	
12	HNU0.3750-16-D-N		8		
13	MTC8196	3/8 X 1-1/4" CARRIAGE BOLT	8	0.052 LBS	

COMMSCOPE, INC. OF NORTH CAROLINA				
TITLE FAST ACCESS RRU MOUNT				
SIZE C	SCALE 1:3	DOCUMENT NO.		
DRAWING		VERSION	STATUS	REVISION
 		05	RE	D
				SHEET 2 OF 9

4

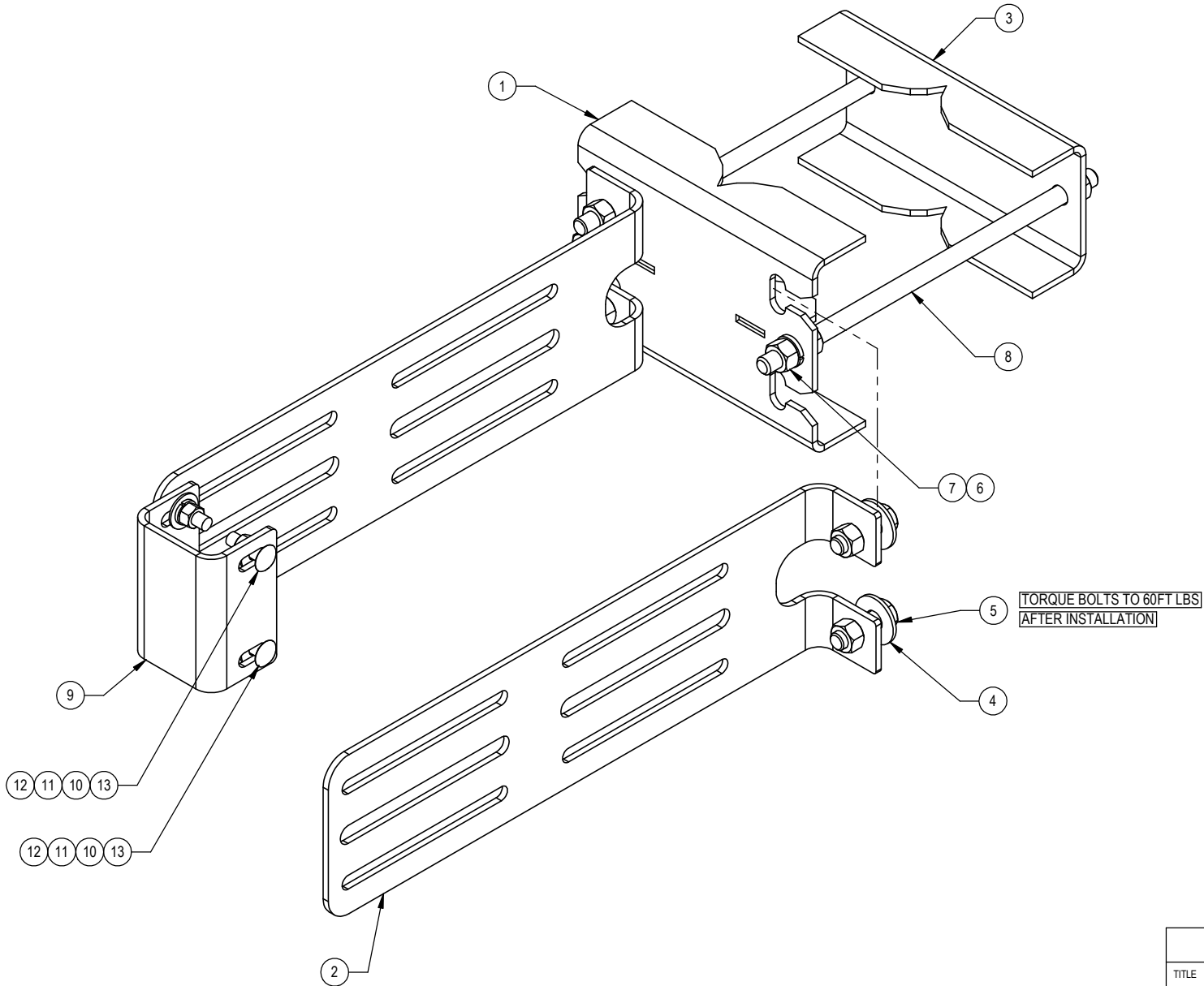
3

2

1

NOTES:

- 1.0 PREASSEMBLE HANGER BRACKETS AND RRUS
- 2.0 WITH ITEMS 4 & 5 LOOSE, SLIDE HANGER INTO POSITION THEN TIGHTEN BOLTS FOR INSTALLATION



COMMScope, INC. OF NORTH CAROLINA				
TITLE				
FAST ACCESS RRU MOUNT				
SIZE	SCALE	DOCUMENT NO.		
C	1:2			
		DRAWING		SHEET
		VERSION	STATUS	REVISION
		05	RE	D
				3 OF 9

© 2024 CommScope, Inc. Confidential

4

3

2

1

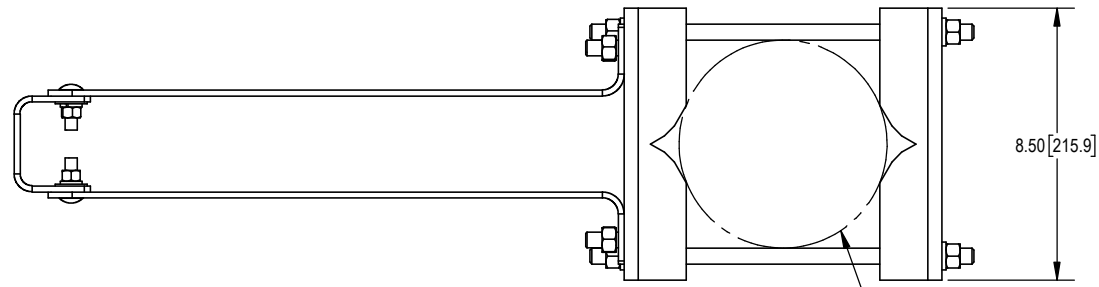
4

3

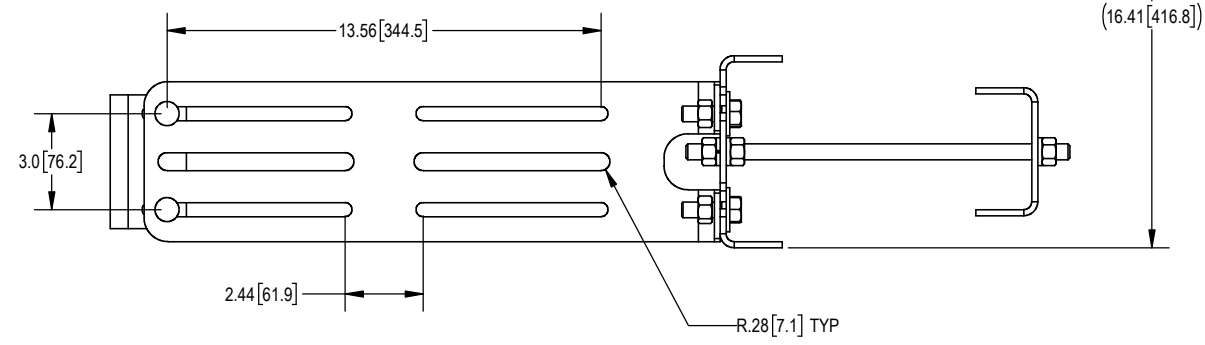
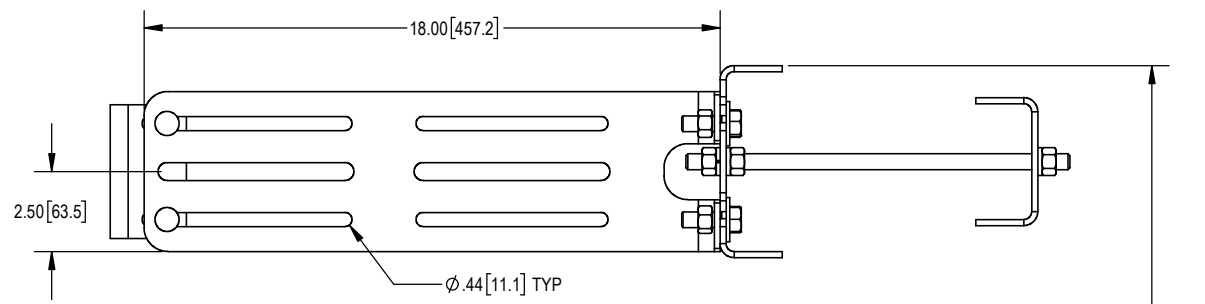
2

1

NOTES:



FOR POLES UP TO 5.6" IN DIAMETER
 FOR 90 DEGREE ANGLES UP TO 4.5"
 FOR 60 DEGREE ANGLES UP TO 6.0"



(16.41 [416.8])

COMMScope, INC. OF NORTH CAROLINA				
TITLE				
FAST ACCESS RRU MOUNT				
SIZE	SCALE	DOCUMENT NO.		
C	1:3			
		DRAWING		SHEET
		VERSION	STATUS	REVISION
		05	RE	D
				4 OF 9

© 2024 CommScope, Inc. Confidential

4

3

2

1

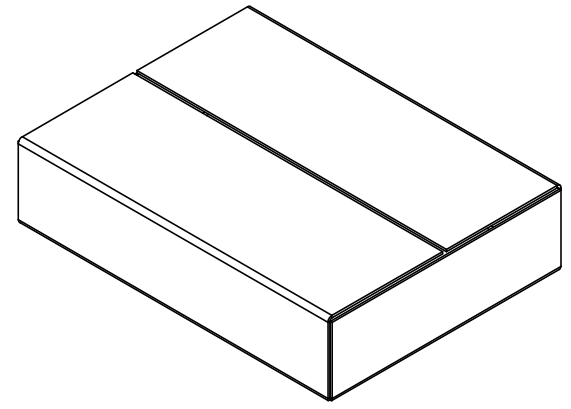
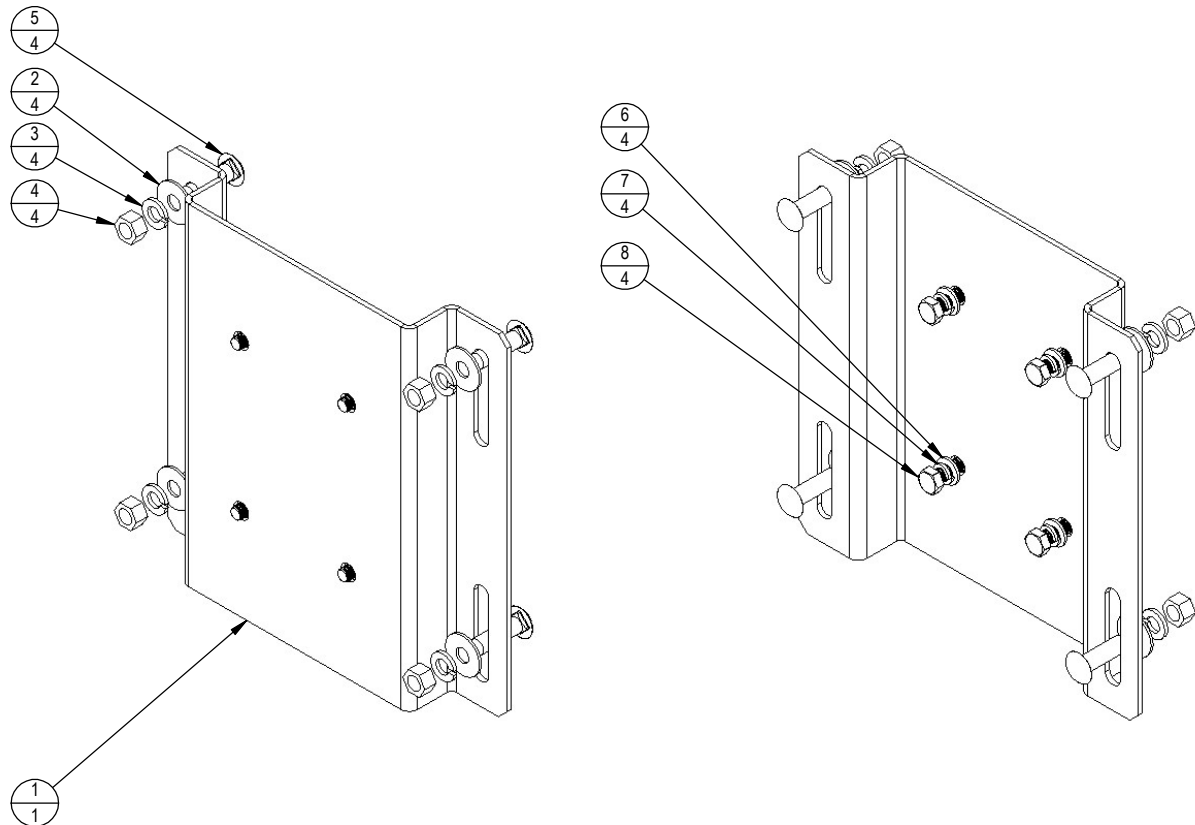
4

3

2

1

NOTES:



PACKAGE #2: 860677769-001

860677769-001 KIT, BRACKET, RRU8843/4449 RADIO MOUNT

COMPONENT PART NUMBERS PROVIDED FOR ASSEMBLY PURPOSES;
INDIVIDUAL COMPONENTS MAY BE SHIPPED AS PARTS WITHIN AN INCLUDED KIT.

ITEM NO.	PART NUMBER	DESCRIPTION	QTY.
1	MTM101721-510	BRACKET, RRU MOUNTING, RR-FA2	1
2	GWF-03	3/8" FLAT WASHER	4
3	GWL-03	3/8" GALV LOCK WASHER	4
4	GN-03	3/8" GALV HEX NUT	4
5	MTC8196	3/8 X 1-1/4" Carriage Bolt	4
6	MTC9419	M8 FLAT WASHER SS	4
7	MTC9418	M8 LOCK WASHER SS	4
8	MTC9415	M8 X 25mm HEX BOLT SS	4

COMMSCOPE, INC. OF NORTH CAROLINA				
TITLE FAST ACCESS RRU MOUNT				
SIZE C	SCALE 1:2	DOCUMENT NO.		
DRAWING		VERSION	STATUS	REVISION
		05	RE	D
				SHEET 5 OF 9

© 2024 CommScope, Inc. Confidential

4

3

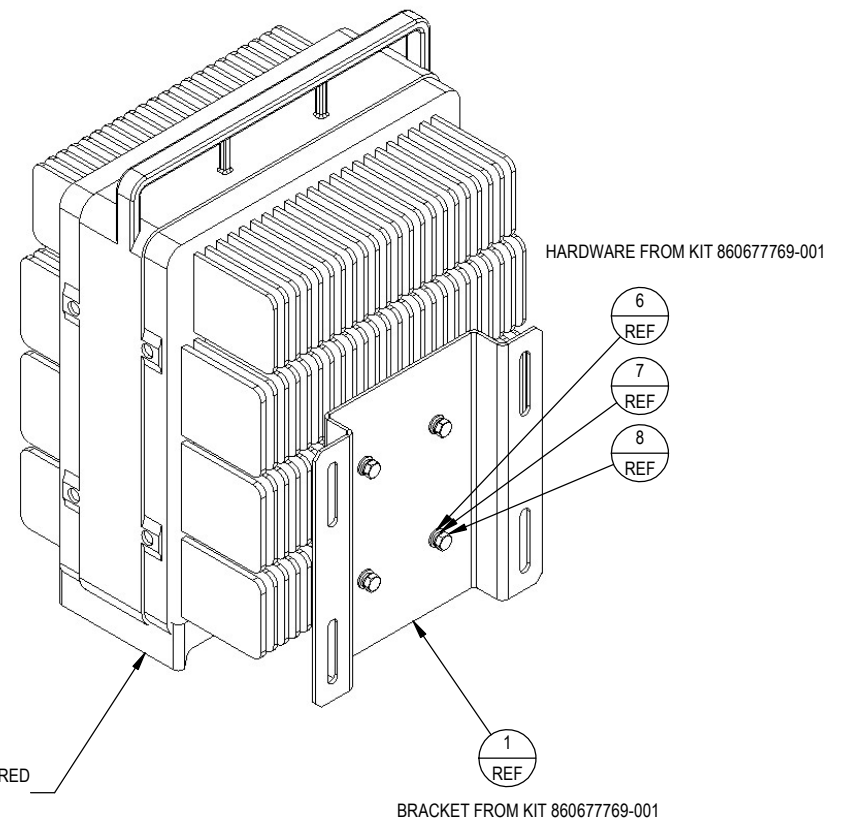
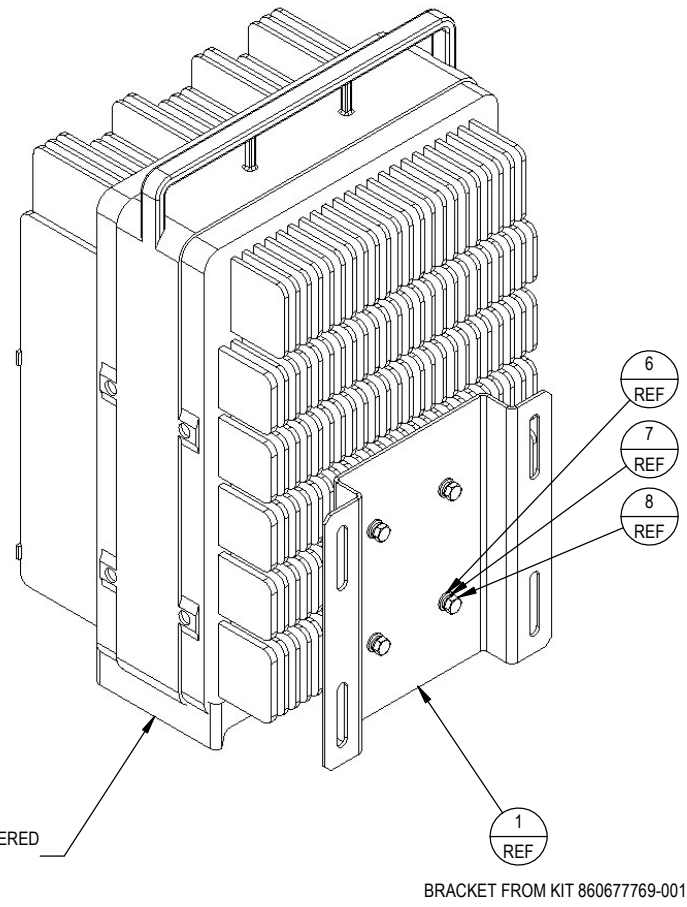
2

1

NOTES:

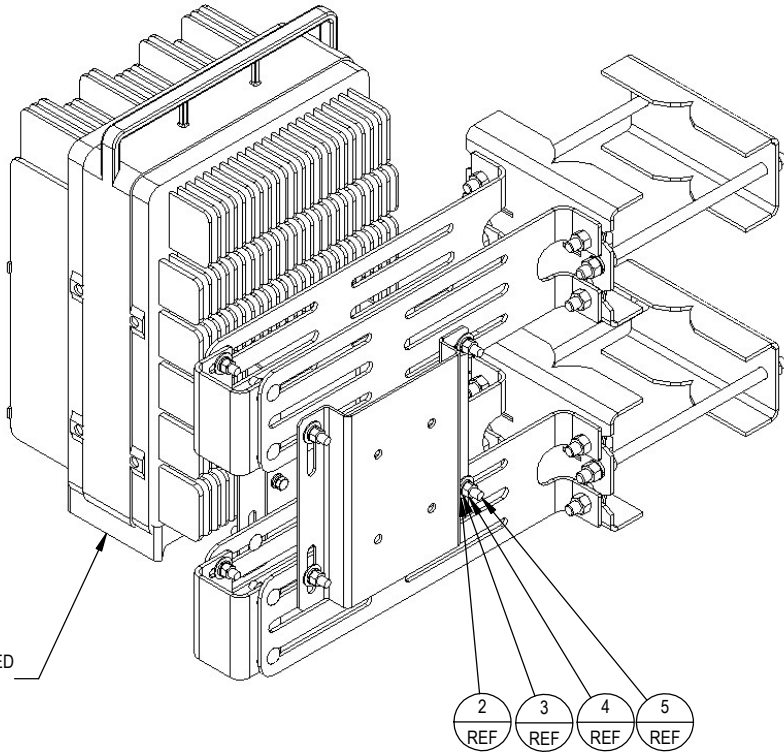
RRU8843 BRACKET ASSEMBLY

RRU4449 BRACKET ASSEMBLY



COMMSCOPE, INC. OF NORTH CAROLINA				
TITLE				
FAST ACCESS RRU MOUNT				
SIZE	SCALE	DOCUMENT NO.		
C	1:2			
DRAWING				SHEET
VERSION	STATUS	REVISION		
05	RE	D	6 OF 9	

NOTES:

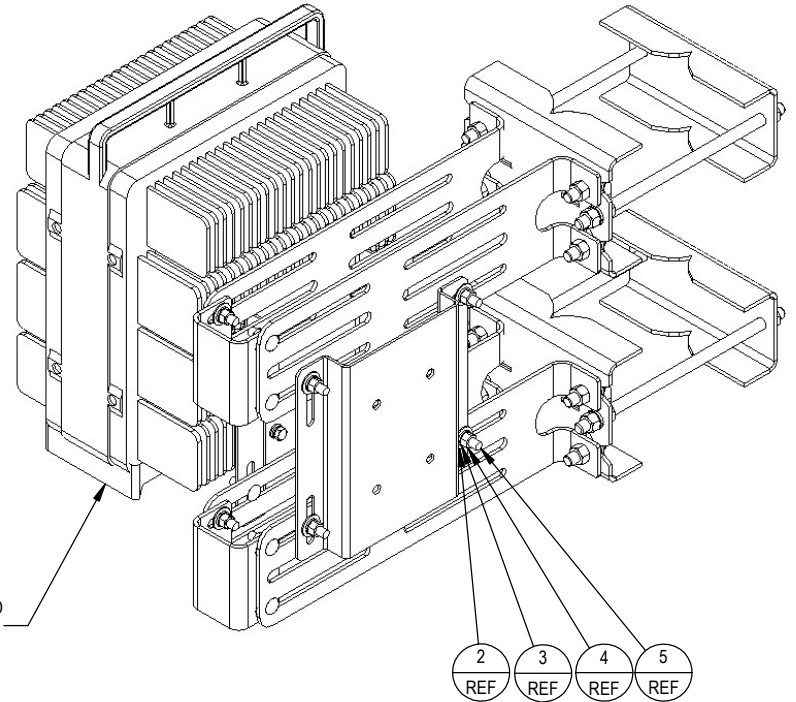


RRU8843 ORDERED SEPARATELY

- 2
REF
- 3
REF
- 4
REF
- 5
REF

HARDWARE FROM KIT 860677769-001

RRU8843 NOT SHOWN FOR CLARITY



RRU4449 ORDERED SEPARATELY

- 2
REF
- 3
REF
- 4
REF
- 5
REF

HARDWARE FROM KIT 860677769-001

RRU4449 NOT SHOWN FOR CLARITY

COMMScope, INC. OF NORTH CAROLINA

TITLE
FAST ACCESS RRU MOUNT

SIZE C	SCALE 1:2	DOCUMENT NO.			
		DRAWING			SHEET 7 OF 9
		VERSION 05	STATUS RE	REVISION D	

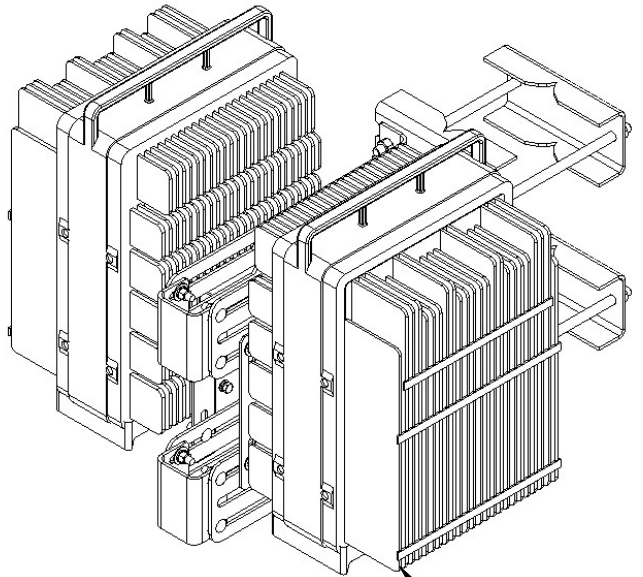
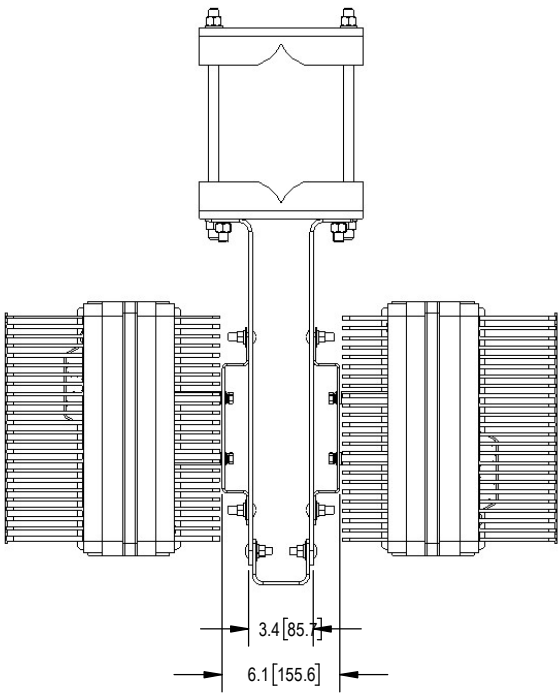
4

3

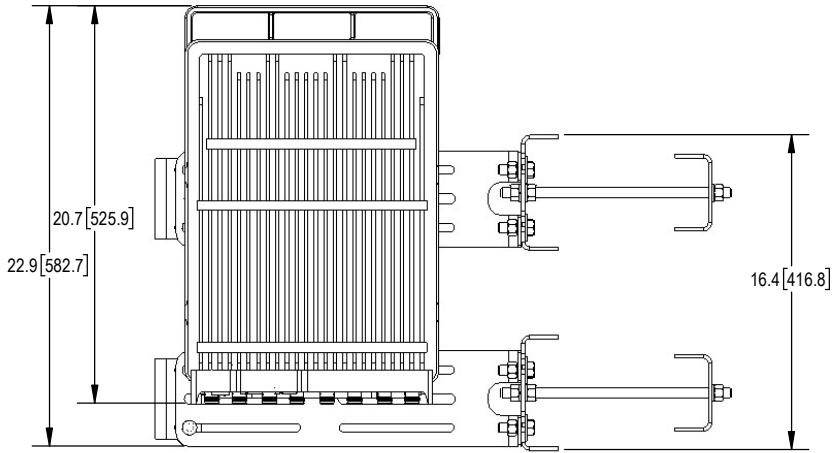
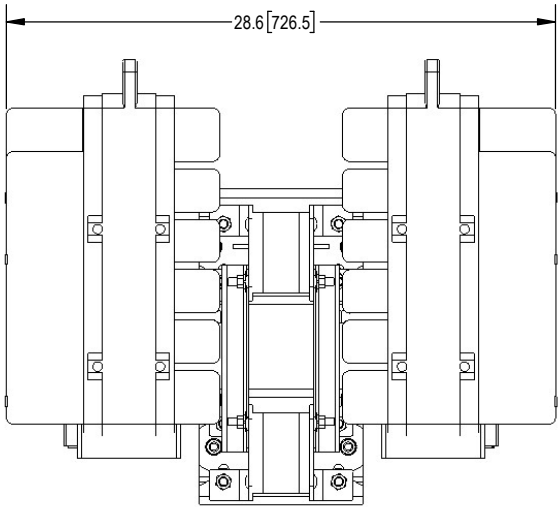
2

1

NOTES:
4.0 EXAMPLE INSTALLATION WITH RRU8843



RRU8843 ORDERED SEPARATELY



COMMSCOPE, INC. OF NORTH CAROLINA				
TITLE				
FAST ACCESS RRU MOUNT				
SIZE	SCALE	DOCUMENT NO.		
C	1:6			
		DRAWING		SHEET
VERSION	STATUS	REVISION	8 OF 9	
05	RE	D		

© 2024 CommScope, Inc. Confidential

4

3

2

1

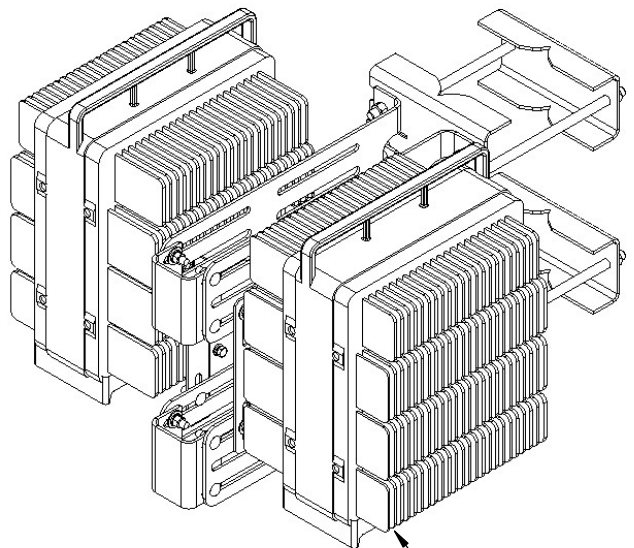
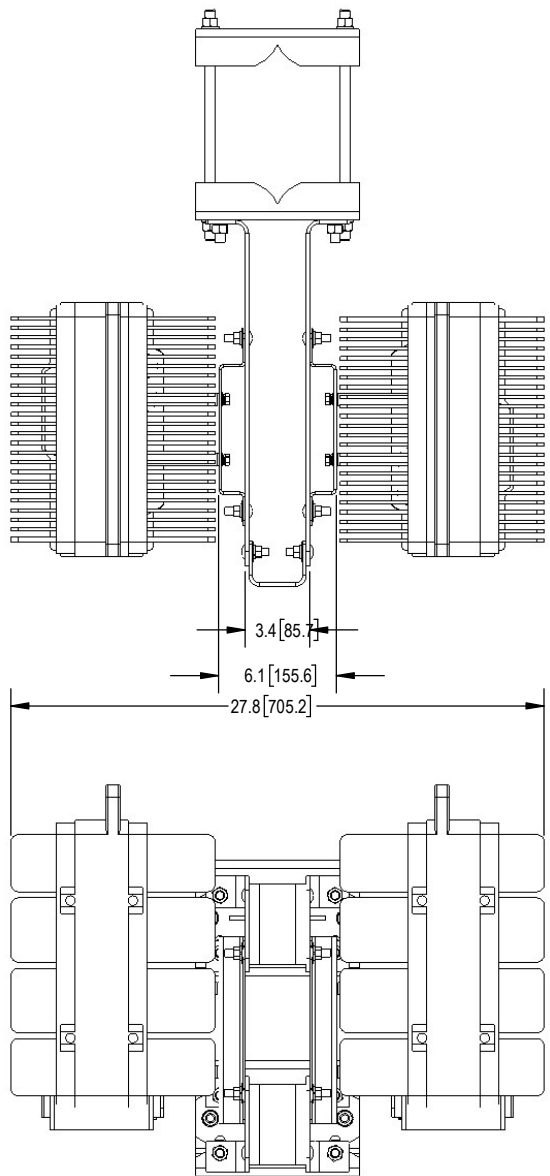
4

3

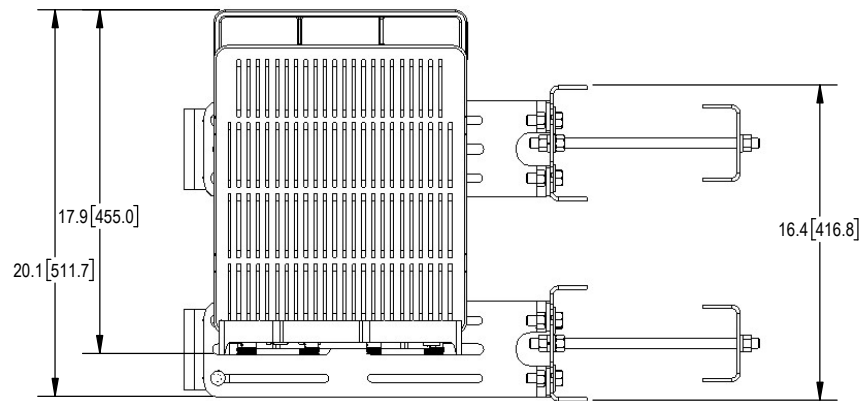
2

1

NOTES:
5.0 EXAMPLE INSTALLATION WITH RRU4449



RRU4449 ORDERED SEPARATELY



COMMSCOPE, INC. OF NORTH CAROLINA				
TITLE				
FAST ACCESS RRU MOUNT				
SIZE	SCALE	DOCUMENT NO.		
C	1:6			
		DRAWING		SHEET
VERSION	STATUS	REVISION	9 OF 9	
05	RE	D		

© 2024 CommScope, Inc. Confidential

4

3

2

1