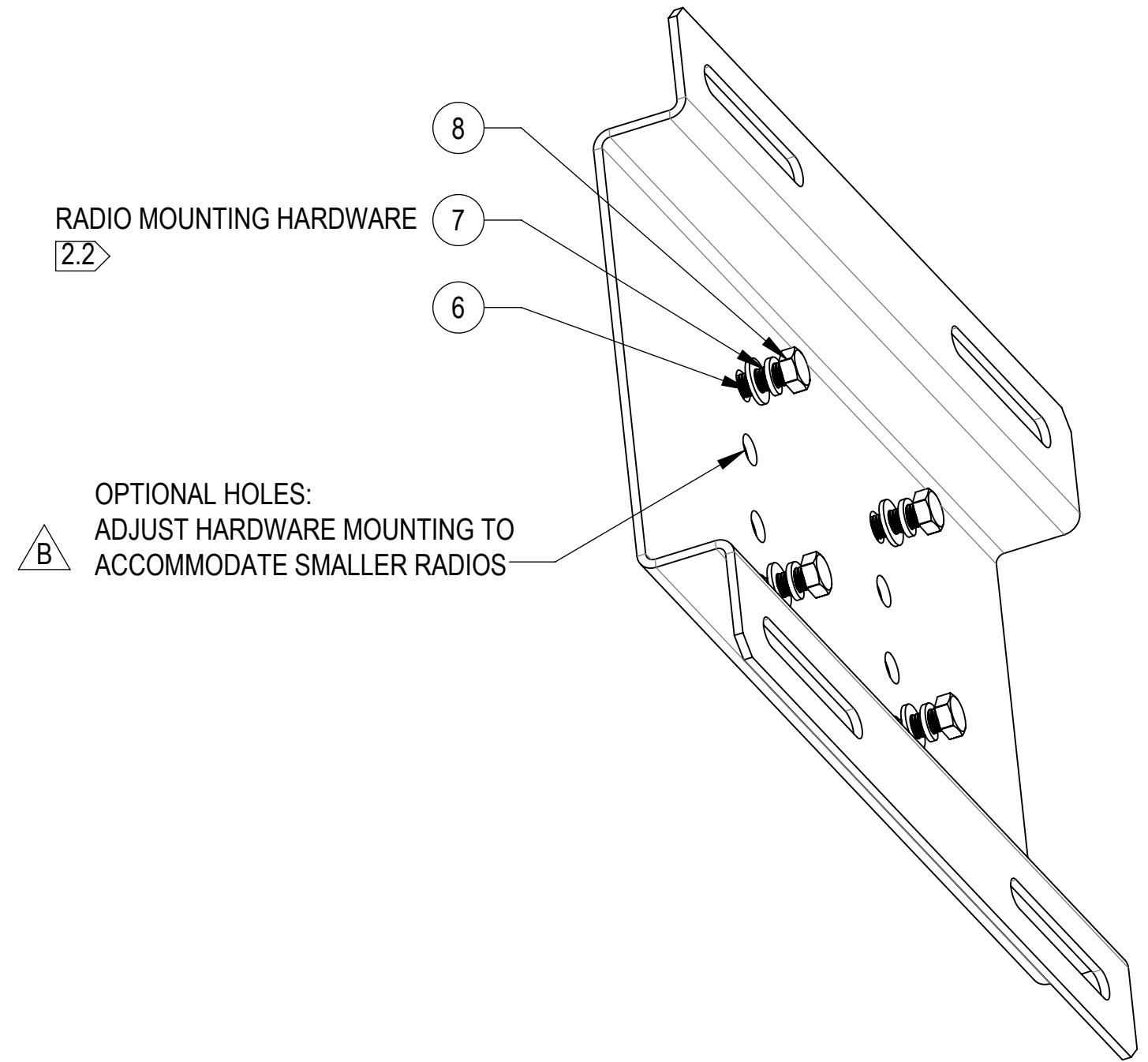
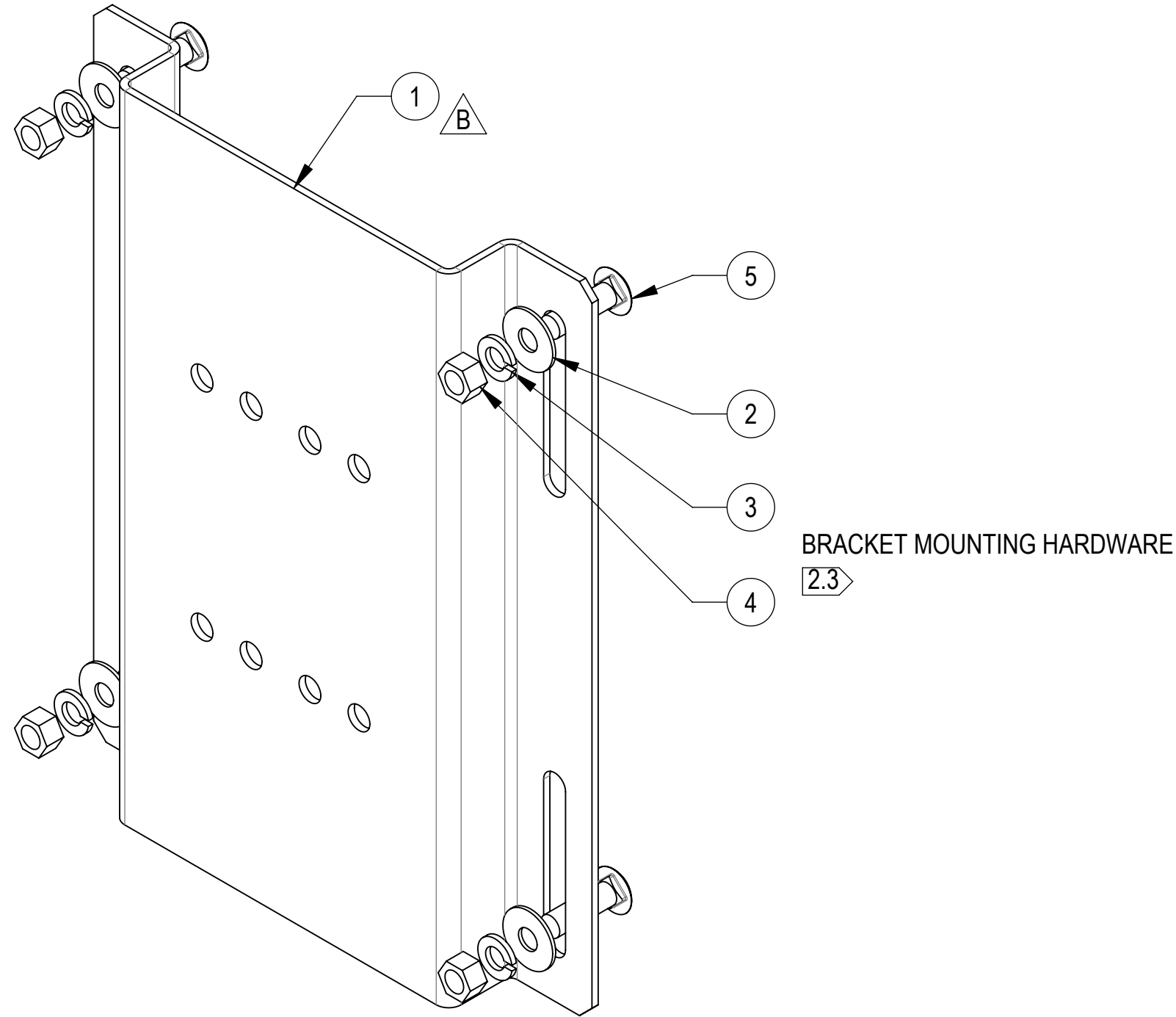


- 1.0 GENERAL NOTES
 1.1 ALL METRIC DIMENSIONS ARE IN BRACKETS [X.X]
 1.2 FEATURES CRITICAL TO QUALITY ARE INDICATED IN ROUNDED BOX (X.X)
 1.3 3D DIGITAL FILES ARE FOR REFERENCE. IN CASE OF CONFLICT FOLLOW PDF DRAWING.
- 2.0 DESIGN NOTES
 2.1 MAXIMUM EQUIPMENT WEIGHT PER MOUNTING BRACKET = 35KG (77 LB)
 2.2 BOLTS/NUTS/WASHERS USE TO ATTACH INTERFACE BRACKET TO RADIO ARE TO BE AS PER RADIO MANUFACTURERS SPECIFICATIONS INCLUDING TORQUE.
 2.3 3/8" BOLTS/NUTS/WASHERS USE TO ATTACH ADAPTER PLATE TO MOUNTING BRACKET (TORQUE = 44 NM) ONLY FOUR 3/8" BOLTS/NUTS/WASHERS REQUIRED PER BRACKET TO MOUNT TO RR-FA2
- 3.0 MANUFACTURING/SPECIAL REQUIREMENTS
 4.0 TEST
 5.0 PACKAGING
 5.1 PACKAGING SHALL MEET COMMSCOPE REQUIREMENTS PER DOCUMENT IS-PL-3005.
 5.2 PRINTED DOCUMENT TO BE PLACED INSIDE POLYBAG AND THEN IN SHIPPING CONTAINER.
 5.3 EXTRA HARDWARE MAY BE SUPPLIED, BAGGED AND SHIPPED.

REVISIONS			
REV.	DESCRIPTION	DATE	APPROVED
A	INITIAL RELEASE	TN1010 06FEB24	TN1010 TBD
B	UPDATED VIEWS FOR MTM101721-510-00 (ITEM 1) CHANGES	JL1183 15MAR24	YZ1080 40191193CMO



(HIDE ONE SIDE FOR CLARITY)

COMPONENT PART NUMBERS PROVIDED FOR ASSEMBLY PURPOSES;
 INDIVIDUAL COMPONENTS MAY BE SHIPPED AS PARTS WITHIN AN INCLUDED KIT.

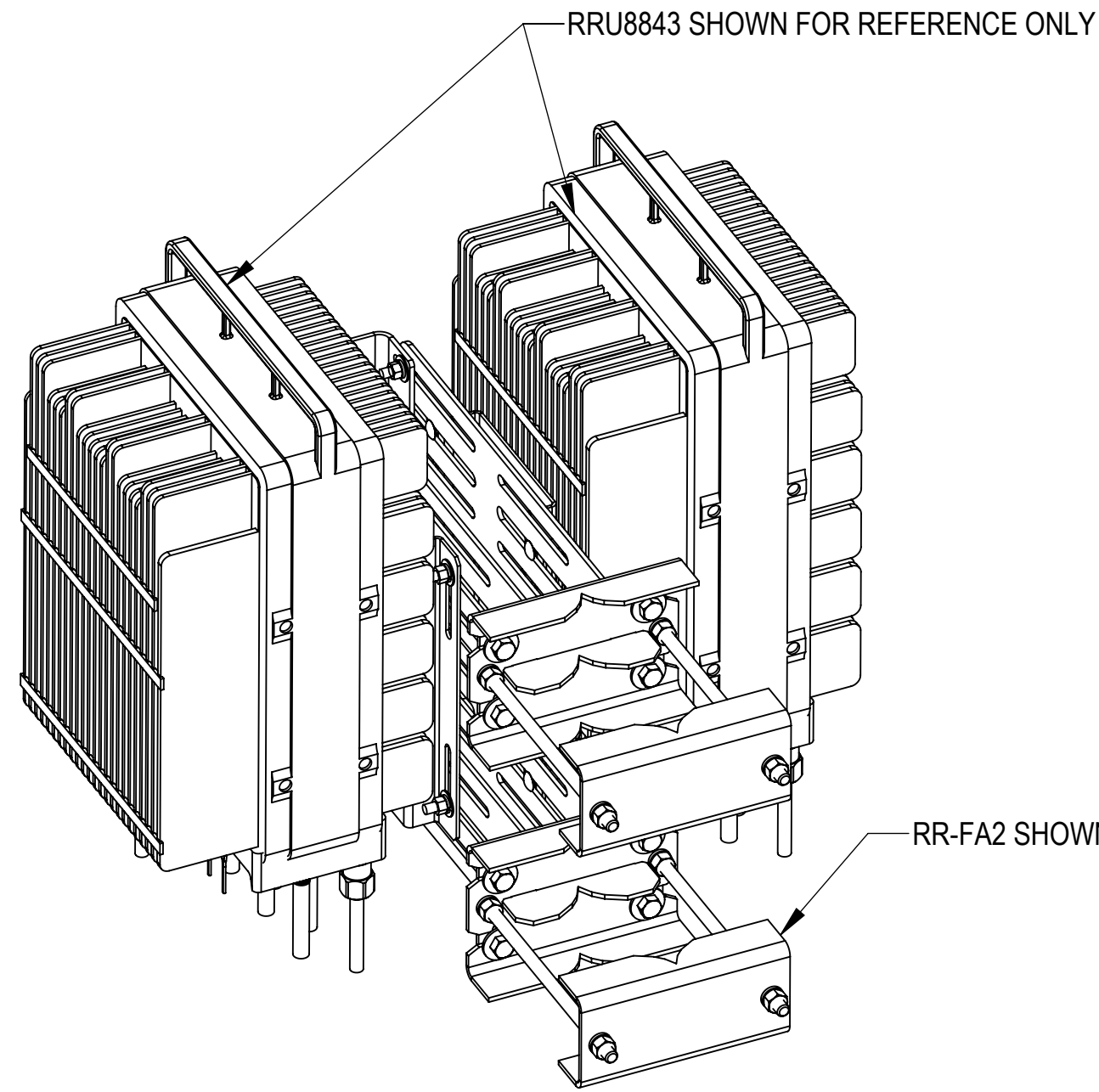
ITEM NO.	PART NUMBER	DESCRIPTION	WEIGHT	QTY.	NOTES
1	MTM101721-510-00	BRACKET, ADAPTER MOUNTING, RR-FAX	5.231 LBS	2	
2	GW-03	3/8" FLAT WASHER	0.01 LBS	8	2.3
3	GW-03	3/8" GALV LOCK WASHER	0.01 LBS	8	2.3
4	GN-03	3/8" GALV HEX NUT	0.02 LBS	8	2.3
5	MTC8196	3/8 X 1-1/4" CARRIAGE BOLT	0.05 LBS	8	2.3
6	MTC9419	M8 FLAT WASHER SS	0.004 LBS	8	2.2
7	MTC9418	M8 LOCK WASHER SS	0.002 LBS	8	2.2
8	MTC9415	M8 X 25mm HEX BOLT SS	0.03 LBS	8	2.2

DENSITY	11.450	lbs/in ³
MASS	11.450	lbs
VOLUME	40.615	in ³
SURFACE AREA	691.554	in ²
HEIGHT	10.00"	
LENGTH	12.75"	
WIDTH	1.375"	

COMMSCOPE, INC. OF NORTH CAROLINA

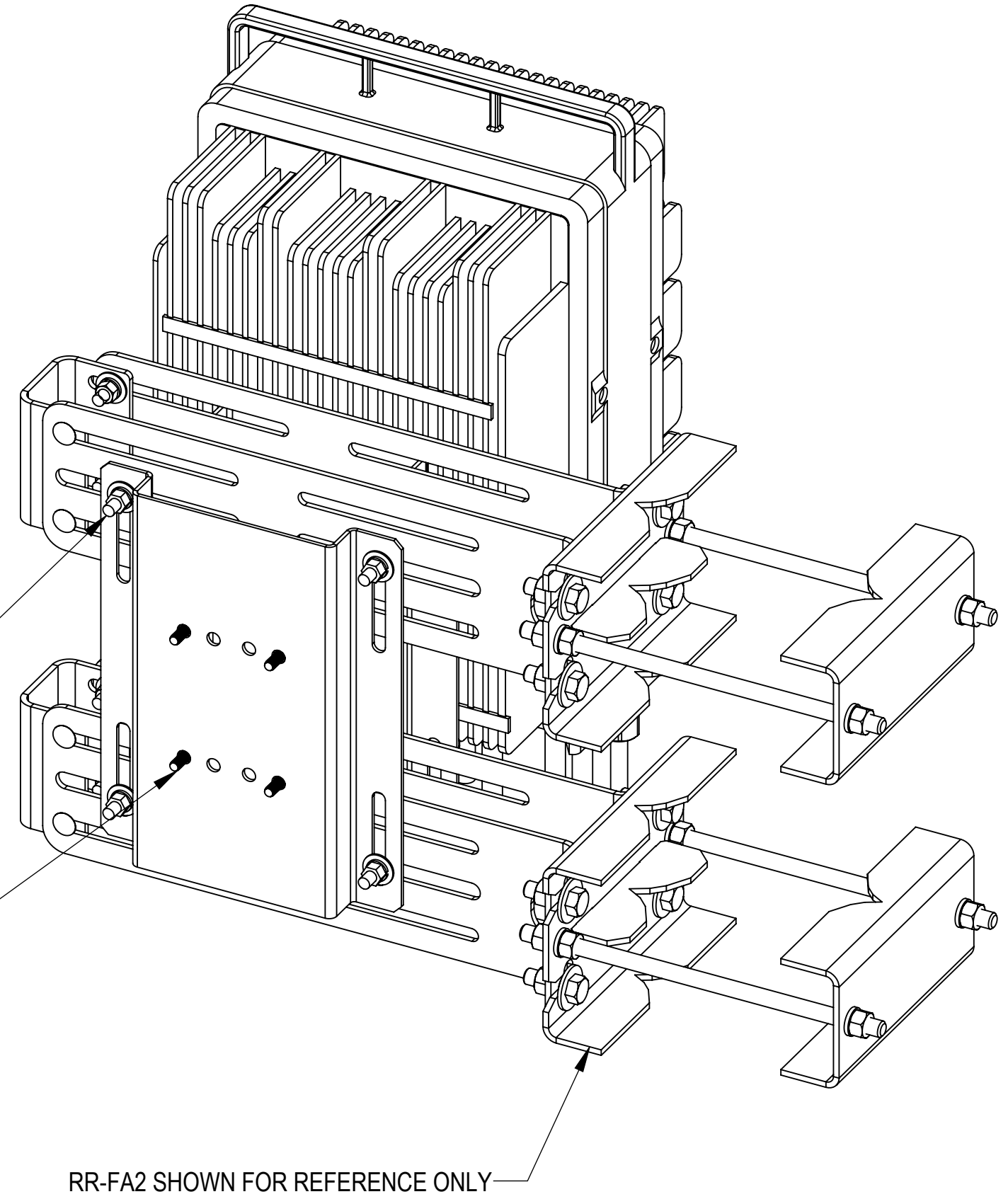
TOLERANCES		SAP MATERIAL MASTER	
1 PLACE .X ± 0.2[6.3]	3 PLACE .XXX ± 0.060[1.5]	860677769-001	
2 PLACE .XX ± 0.12[3.0]	ANGLES ± 2°		
FINISH		MATERIAL	
UNLESS OTHERWISE SPECIFIED DIMENSIONS ARE IN INCHES INTERPRET PER ANSI Y 14.5M-1994		NAME	DATE
		CE TN1010	06FB24
		RW JL1183	03/15/2024
		AD YZ1080	03/17/2024
		RE JL1183	03/17/2024
ECN 40191193CMO		SCALE	DOCUMENT NO.
		1:5	860677769-001
SIZE	Auth Group	INSL	MODEL
C		VERSION	STATUS
		01	RE
		REVISION	VERSION
		B	01
		DRAWING	STATUS
		REVISION	REVISION
		B	B
			SHEET
			1 OF 3

BRACKET COMPATIBLE WITH 8843/4449/4490/4890 RADIO MOUNTING ON RR-FA2



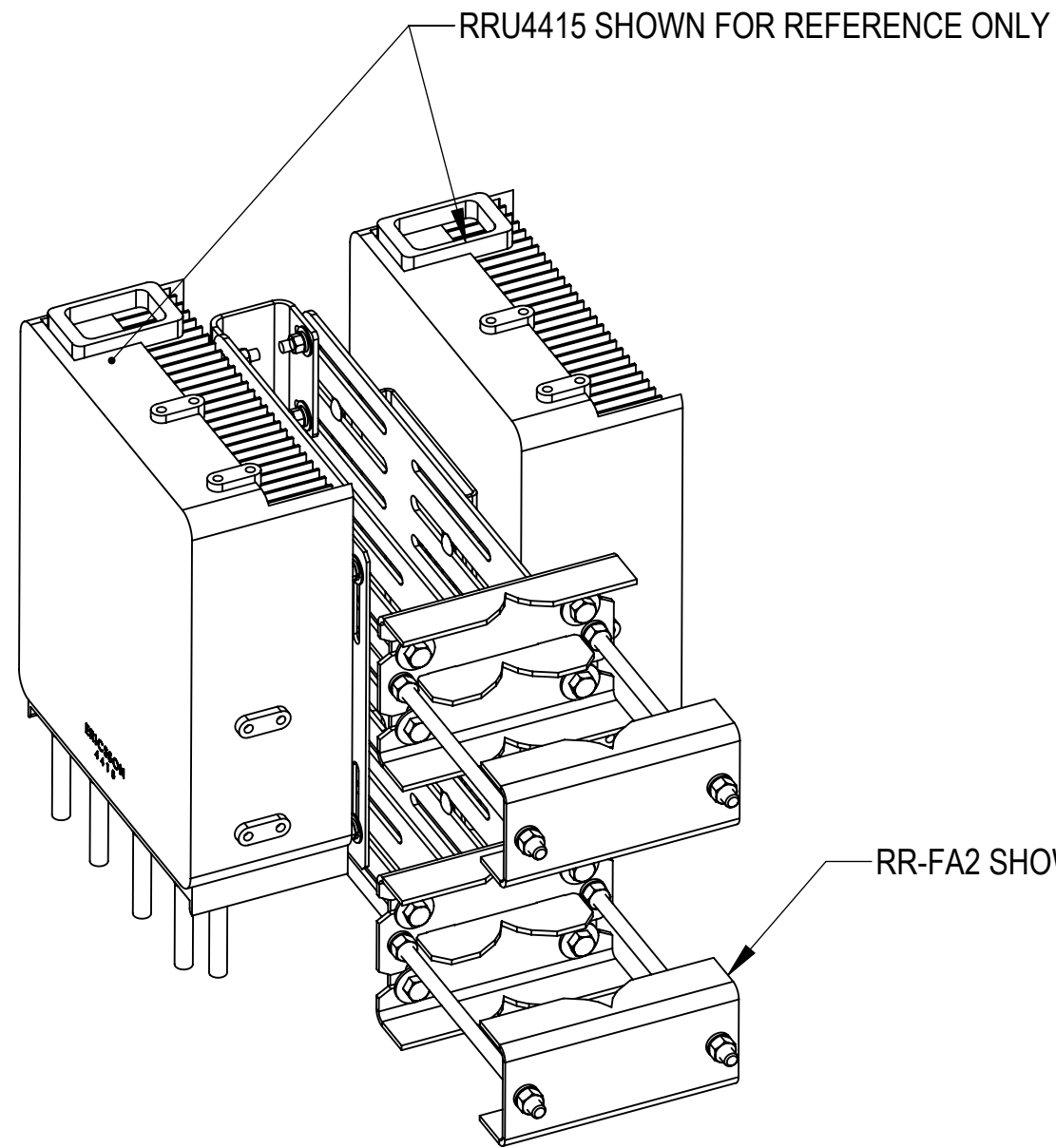
4X 3/8" HARDWARE [2.3]
(BRACKET MTM101721-510 MOUNTING)

4X M8 HARDWARE [2.2]
(RRU 8843/4449/4490/4890 MOUNTING)



COMMSCOPE, INC. OF NORTH CAROLINA				
TITLE KIT,BRACKET RADIO, RR-FAX ADAPTER				
SIZE C	SCALE 1:4	DOCUMENT NO. 860677769-001		
DRAWING		VERSION	STATUS	REVISION
		01	RE	B
				SHEET 2 OF 3

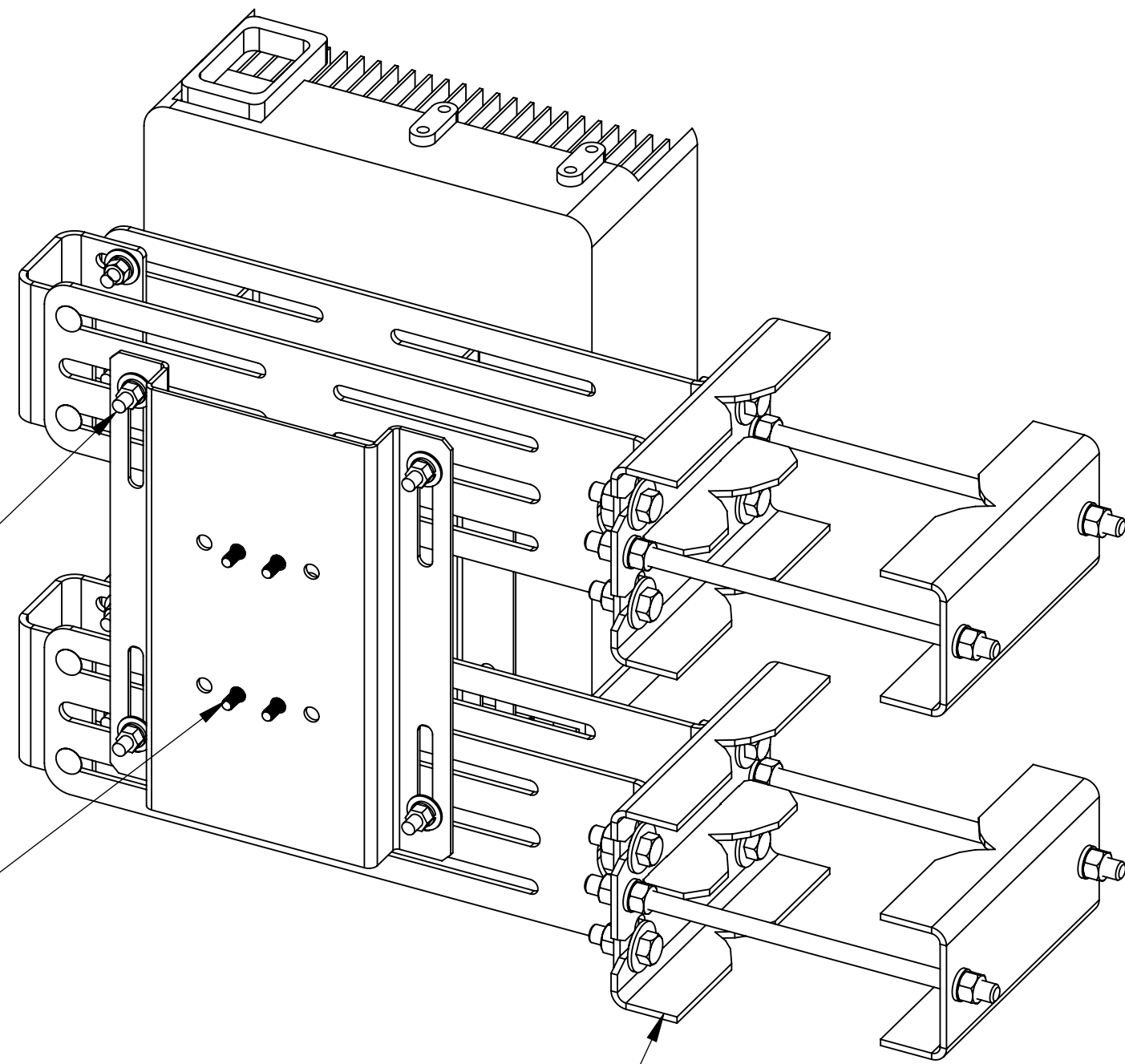
BRACKET COMPATIBLE WITH 4415/4426/4478 RADIO MOUNTING ON RR-FA2




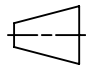
RR-FA2 SHOWN FOR REFERENCE ONLY

4X 3/8" HARDWARE [2.3]
(BRACKET MTM101721-510 MOUNTING)

4X M8 HARDWARE [2.2]
(RRU 4415/4426/4478 MOUNTING)



RR-FA2 SHOWN FOR REFERENCE ONLY

COMMSCOPE, INC. OF NORTH CAROLINA				
TITLE KIT,BRACKET RADIO, RR-FAX ADAPTER				
SIZE C	SCALE 1:4	DOCUMENT NO. 860677769-001		
 		DRAWING		SHEET
		VERSION 01	STATUS RE	REVISION B