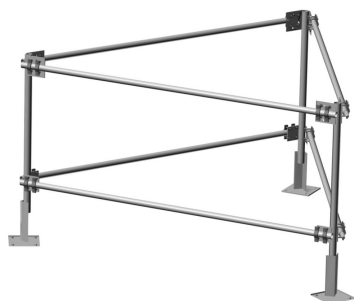


TP-300



Multi-Sector Rooftop Mount

Product Classification

Product Type Rooftop mount

General Specifications

Mounting Penetrating

Dimensions

Height 1905 mm | 75 in

Face Width 3.81 m | 12.5 ft

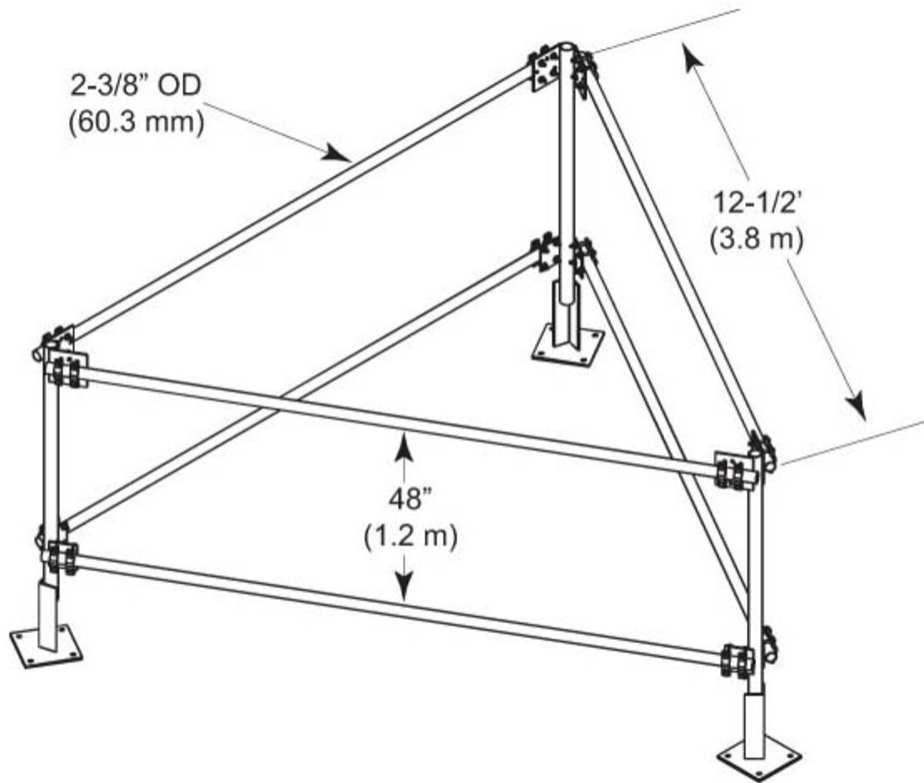
Width 3810 mm | 150 in

Length 3.81 m | 12.5 ft

Pipe Outer Diameter 60.96 mm | 2.4 in | 73.66 mm | 2.9 in

TP-300

Outline Drawing



Material Specifications

Material Type Hot dip galvanized steel

Mechanical Specifications

Wind Rating For Specifications, please contact steelproducts@commscope.com or call 800-255-1479

Packaging and Weights

Included Mount

Packaging quantity 1

Weight, net 257.9 kg | 568.571 lb

Regulatory Compliance/Certifications

Agency **Classification**

TP-300

ISO 9001:2015

Designed, manufactured and/or distributed under this quality management system



* Footnotes

Wind Rating

BWS—Base Wind Speed; FBC—Florida Building Code